

PARTS ASSEMBLIES FOR Bonis Models: SL-64, SP-65, SB-66



CAUTION: Order by part number only. When ordering parts, kindly state Serial and Model Numbers of Machine.

The Serial Number is stamped on the left top edge of main frame. The Model Number is printed on name plate on top cover.

MAIN FRAME ASSEMBLY

Part No.	Description	
4-SL-A	Machine Guide Bracket	} SOLD AS COMPLETE UNIT #4-SL-A-B-C
4-SL-B	Guide Bracket	
4-SL-C	Cord Guide For String Lasting	
50	Cord Guide	
214	Guide Bracket Screw	
705	Over Head Bracket Screws	
706	Bracket Screw Washers	
1-T	Main Frame	
3-SL	String Lasting Gauge	
4-SL-A-B-C/705/706	String Lasting Gauge fitted	
18-R	Rear Wheel - Steel (27 teeth)	
18-R-SAW	Sawtooth - Steel Wheel (Models SL64, SP65 & SB-66)	
19-SL	Feed Disc Arm Complete With Pins	
21	Pressure Lever	
22	Chain	
24	Belt Wheel	
29-B-T	Main Shaft Bushing Long - Bronze	
31-B-T	Main Shaft Bushing Short - Bronze (3/8" shaft)	
51	Cut-off Knife Bracket	
51-A	Knife Bracket Screw	
52	Cut-off Knife Blade	
105-51	Main Shaft for SL-64 (3/8" & 1/2" diam.)	
108-A	Top Arm Pin	
108-B	Bottom Arm Pin	
128	Top Cover Thread Guides (2) Req'd	
129	Tension Disks (2) Req'd	
133-B	Top Cover Tension Spring	
157	Pressure Lever Spring	
158	Pressure Lever Shaft	
201-L	Feed Shaft Screw - Long (2) Req'd	
201-L	Pressure Lever Shaft Screw - Long	
202	Set Screws (4) Req'd	
203	Belt Wheel Screw	
213	Tension Post	
219-S	Arm Pinch Screw	
221	Front Cover Screws (2) Req'd	
224	Feed Shaft Screw Nuts (2) Req'd	
230	Work Guide Set Screw	
248	Main Shaft Bushing Set Screws (2) Req'd	
250	Pressure Lever Adjusting Screw Nuts (2) Req'd	
259	Pressure Lever Adjusting Screw	
259-S	Arm Adjusting Screw For Stopper	
405	Top Cover Hinge Screws (2) Req'd	
409	Small Oil Cups (2) Req'd	
610	Top Cover Lock Spring	
711	Top Cover Hinge (2) Req'd	

610	Top Cover Lock Spring	
611	Top Cover Hinges (2) Req'd	
612	Top Cover Hinge Stoppers (2) Req'd	
617-B	Needle Bar Bushing	
703	Top Cover	
704	Plastic Front Cover	
903	Oiler Top Cover	
908	Oil Filler Cap	
928	Top Cover Thread Guide	
107-S	Disc Stud	
121-S	Needle Guard	} SOLD AS COMPLETE UNIT #18-S-2-3/8"-FC
639	Needle Guard Screws (2) Req'd	
18-S	Front Feed Disc	
39-S	Disc Stud Screw Washer	
426	Disc Stud Screw	
107-N	Front Feed Disc Stud	
121-B- 1-1/8"	Needle Guard	} SOLD AS COMPLETE UNIT #18-N-1-1/8"-FC
639-N	Needle Guard Screws (2) Req'd	
18-N- 1-1/8"	Front Feed Disc	
46-S	Disc Stud Screw Washer	
426	Disc Stud Screw	
107-N	Front Feed Disc Stud	
121-N- 7/8"	Needle Guard	} SOLD AS COMPLETE UNIT #18-N-7/8"-FC
639-N	Need Guard Screws (2) Req'd	
18-N- 7/8"	Front Feed Disc	
46-S & 426	Disc Stud Washer & Screw	

completed illustrated in box with Main Frame.

From the library of: Superior Sewing Machine & Supply LLC

"FC" after Part Number Denotes "COMPLETE"

GEAR & FEED FRAME ASSEMBLY

Part No.	Description
13-B	Feed Eccentric 13 14-B-FC
14	Feed Connection <i>FITTED</i>
15	Feed Lever Only
15-FC	Feed Lever Fitted Complete
17	Feed Gear (Small)
106-B	Disc Shaft
109	Stitch Regulating Stud
110	Stitch Regulating Stud Nut
111	Stitch Regulating Block
112	Stitch Indicator
123	Feed Lever Washer
132	Feed Disc Shaft Spring
202	Set Screws
209	Feed Lever Screw
211	Feed Dog Driving Screw
228	Stitch Stud Nut
234	Feed Eccentric Pin
416	Feed Gear Only
416-FC	Right Side Feed Gear Complete
417	Feed Gear Shaft
418	Feed Gear Shaft Washer
419	Feed Gear Ring – Left and Right Side of Gear.
420	Feed Gear Cam
421	Feed Gear Roller
423	Feed Gear Roller Pin
424	Feed Gear Roller Spring
425	Feed Gear Plate
426	Feed Gear Plate Screws
427	Feed Gear Cam Set Screws
433	Feed Retaining Drum Plate Shoulder Screw
628	Feed Retaining Drum
629	Feed Retaining Drum Cam
630	Feed Retaining Drum Plate
630-FC	Left Side Feed Retaining Drum Complete

Right Side Feed Gear uses same numbers on screws,
roller springs, pins and cams

“FC” after Part Number Denotes “COMPLETE”

Special Gauges for Special Work are Available

From the library of: Superior Sewing Machine & Supply LLC

NEEDLE BAR ASSEMBLY

Part No.	Description
7-B-51	Needle Bar Yoke Eccentric
113-T	Needle Bar
115-T	Needle Bar Tension Plate
119	Needle Clamp
134	Needle Bar Tension Spring
202	Yoke Eccentric Set Screw (2) Req'd
206	Needle Bar Yoke Adjustable Bracket Screws
215	Needle Bar Tension Plunger
216	Needle Bar Tension Plunger Nut
217	Needle Bar Tension Plate Screw
218	Needle Bar Yoke Pinch screws
227	Needle Clamp Screw
234	Yoke Eccentric Set Pin
466-51	Needle Bar Yoke (UNIT 466-51-FC)
467	Needle Bar Yoke Support Shaft
468	Needle Bar Yoke Support Shaft Lock Nut
469	Needle Bar Yoke Adjustable Bracket
617-B	Needle Bar Bushing
Needle Bonis System H and F-292	

****FC** after Part Number Denotes "COMPLETE"**

From the library of: Superior Sewing Machine & Supply LLC

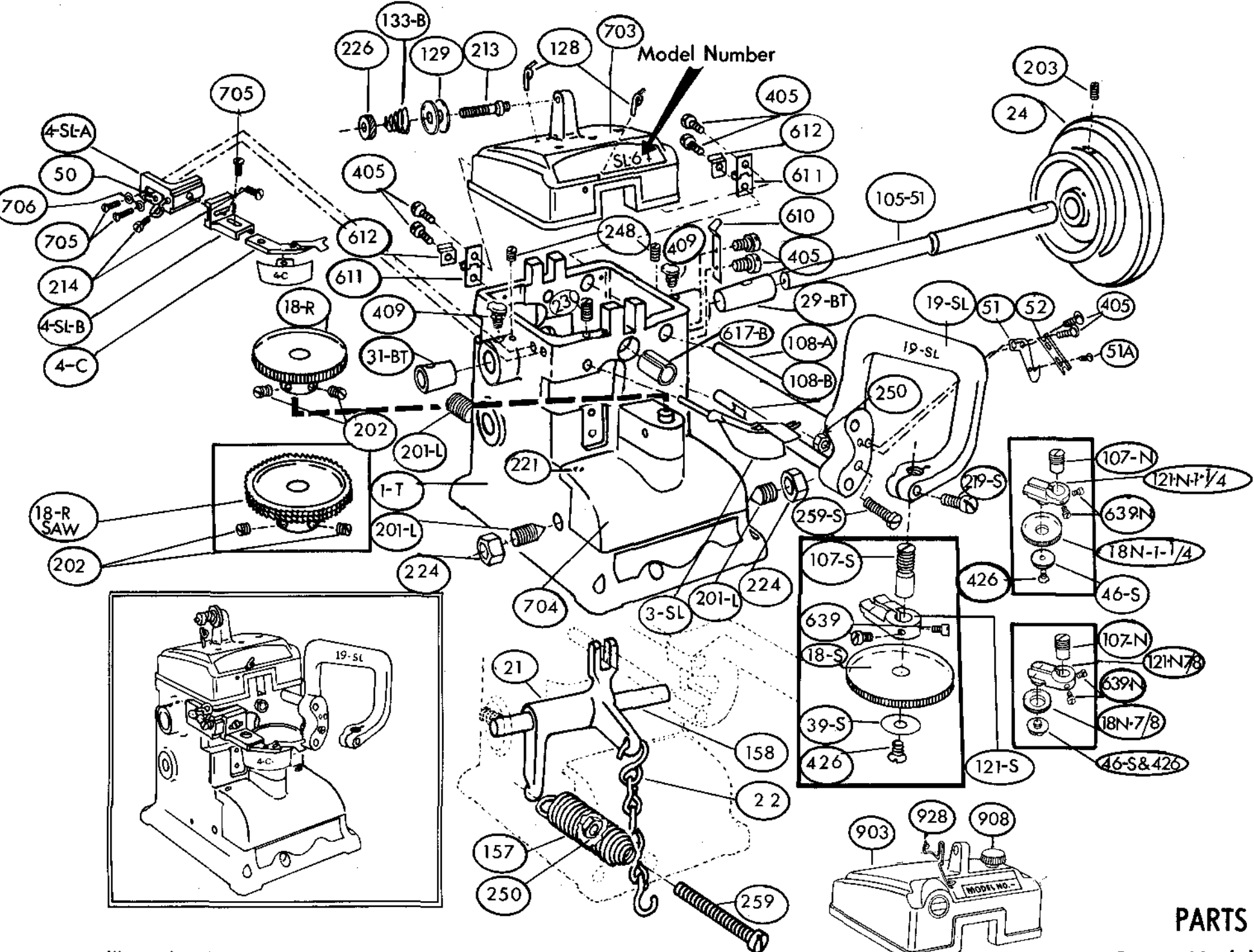


Illustration shows machine equipped with #4 gauge.

From the library of: Superior Sewing Machine & Supply LLC

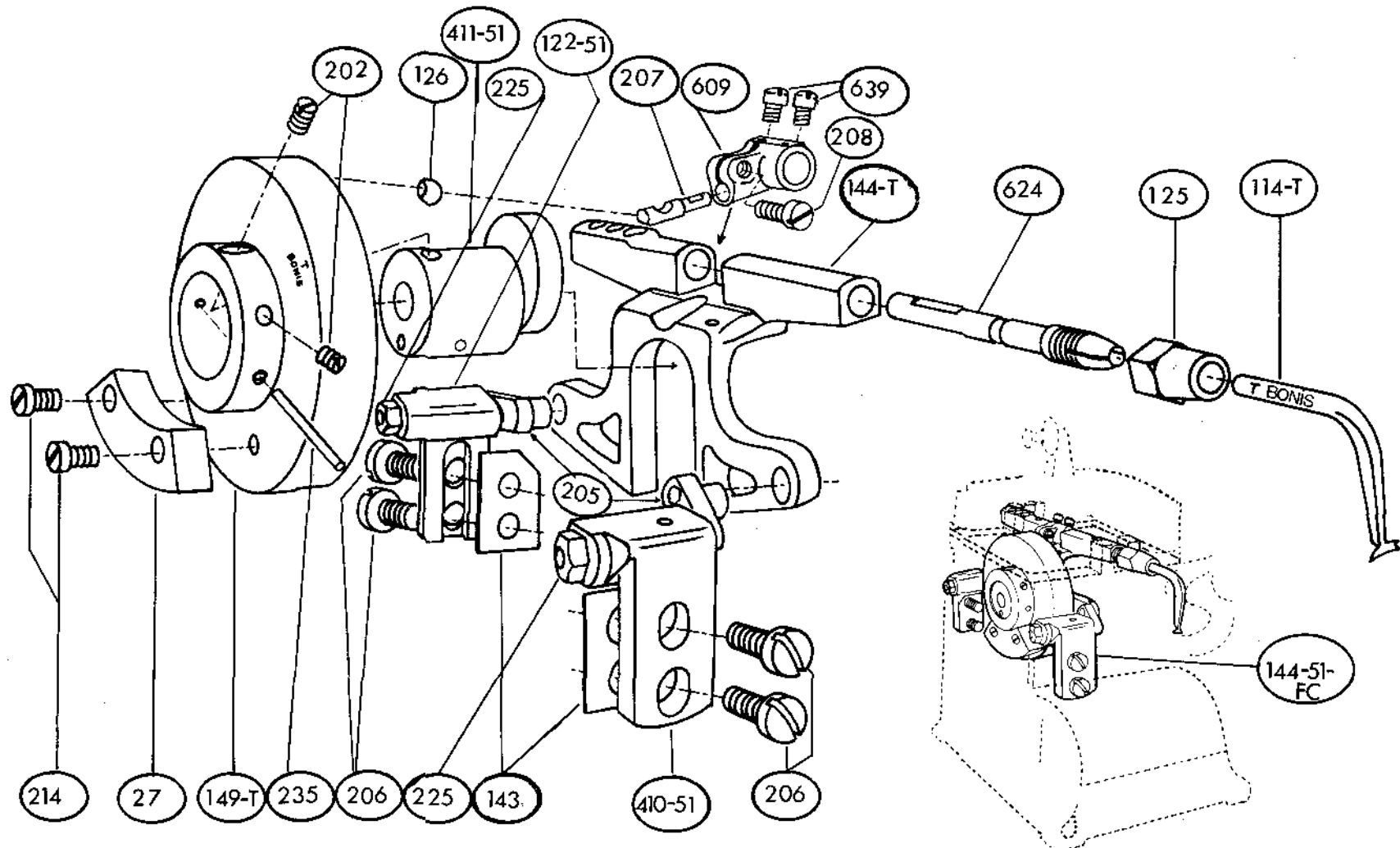
PARTS
Bonis Models

LOOPER FRAME ASSEMBLY

Part No.	Description
27	Balance Weight
114-T	Looper
122-51/205/225	Back Rocker Fitted Complete With Stud
125	Hexagon Looper Chuck Shell
126	Looper Oscillating Roller
143	Rocker Packing (Specify thickness: .004, .006, .010, .020)
144-T	Looper Frame
144-T-FC	Looper Frame Complete Unit Fitted With Cam
149-T	Oscillating Cam
202	Eccentric Set Screws
205	Looper Frame Rocker Stud
206	Looper Frame Rocker Bracket Screws
207	Looper Cam Roller Stud
208	Looper Oscillating Roller Stud Set Screw
214	Balance Weight Screws (2) Req'd
225	Looper Frame Front Rocker Nut
225	Looper Frame Back Rocker Nut
235	Looper Eccentric Pin
410-51/422/205/225	Complete Front Rocker With Stud - Illustrated
411-51	Looper Frame Hardened Steel Eccentric
609	Looper Oscillating Arm (Complete Unit #609-FC)
624	Looper Shaft
639	Looper Oscillating Arm Pinch Screws

***"FC" after Part Number Denotes "COMPLETE"**

From the library of: Superior Sewing Machine & Supply LLC



LOOPER FRAME ASSEMBLY

ILLUSTRATED IN SHADOW MACHINE:
Looper Assembly installed in Main Frame.

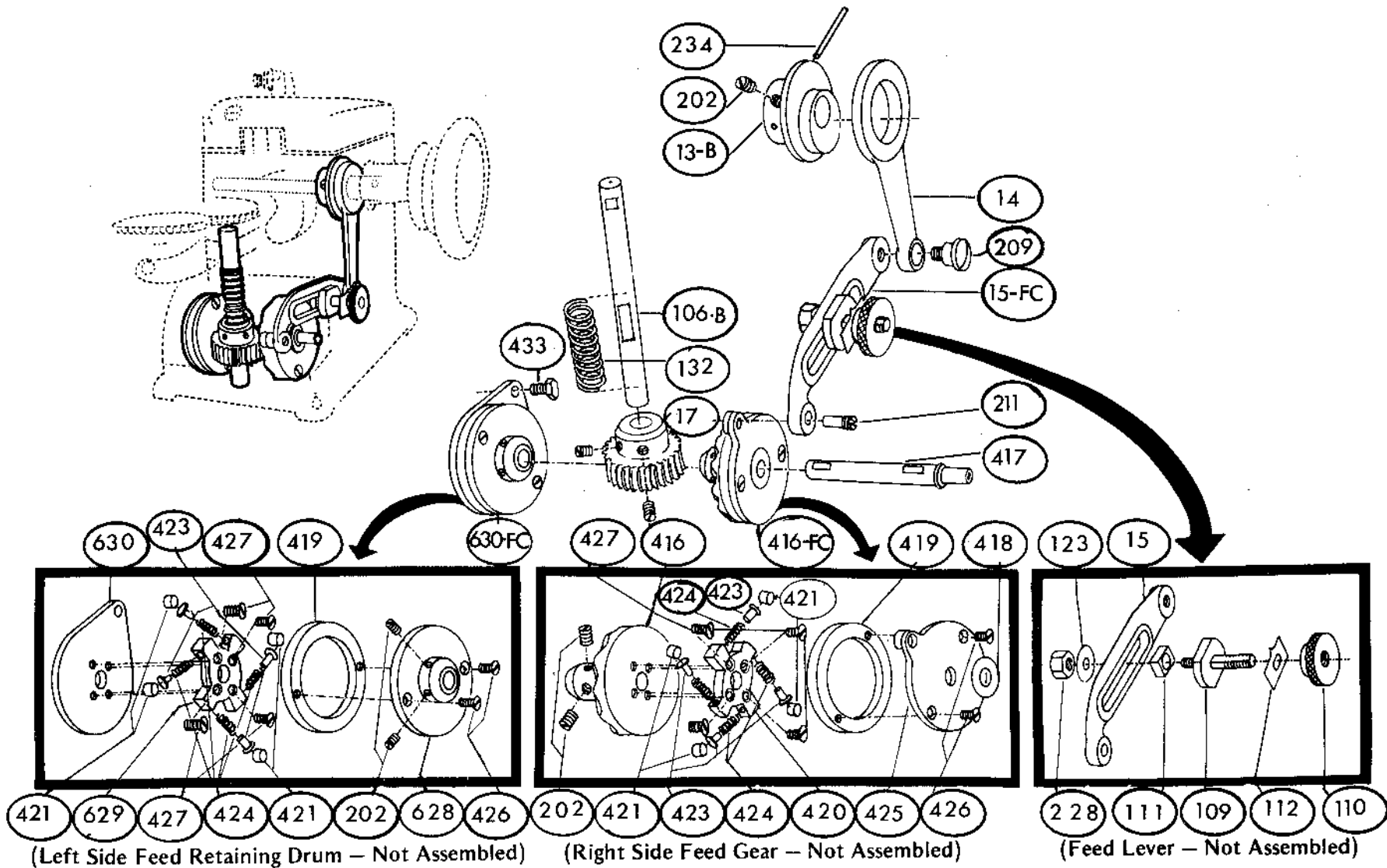
BONIS BROS. SEWI

111 West 26th Street, New York, NY 10001

Cable Ac

Te

Fax: 1



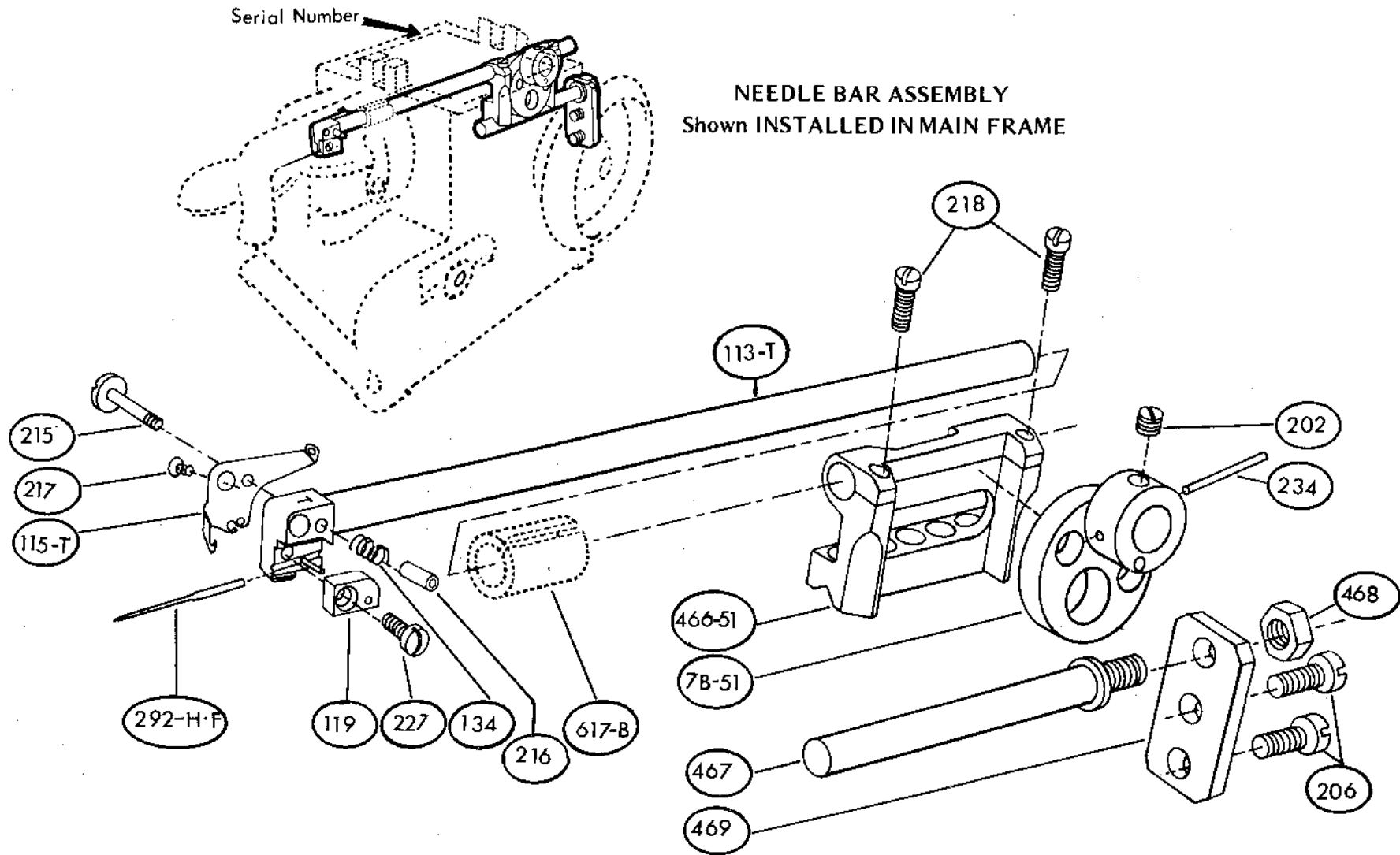
ILLUSTRATED IN SHADOW MACHINE—GEAR AND FEED
 ASSEMBLY INSTALLED IN MAIN FRAME—COMPLETE

From the library of: Superior Sewing Machine & Supply LLC

IES FOR

SR 65 SR 66

CAUTION: When ordering parts, kindly state serial number and Model of Machine.
Lift top cover. . . serial number is stamped on left rear corner of main
frame. Model number is stamped on metal label attached on top cover.



NEEDLE BAR ASSEMBLY
Shown INSTALLED IN MAIN FRAME

CHINERY CORP.

01 • Phone 212/645-0001

00"

From the library of: Superior Sewing Machine & Supply LLC