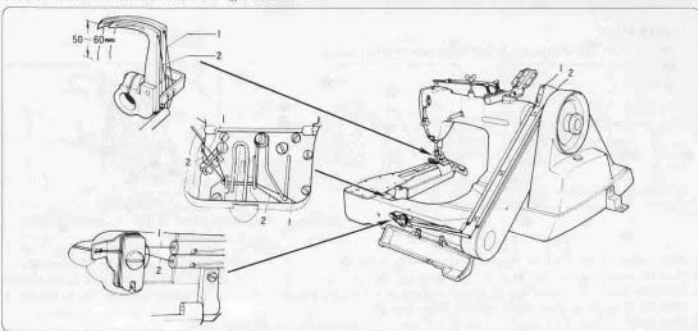


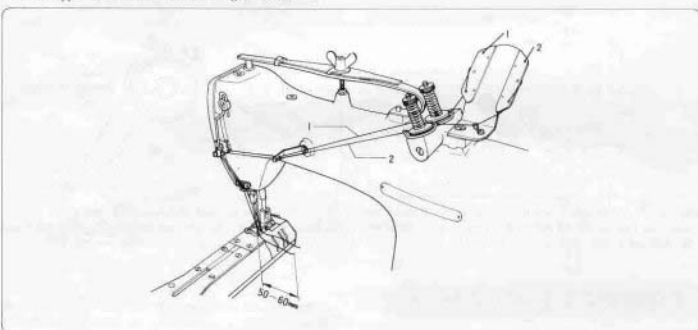
3 Lower Threading

Pass the lower threads as shown in the figure below.



4 Upper Threading

Pass the upper threads as shown in the figure below.



5 Sewing

1. Switch the power on.
2. Depress presser lifter pedal ❶ and place the work under the presser foot.
3. Release the presser lifter pedal.
4. The machine starts running when treadle ❷ is stepped down.
5. After sewing the work, move the work to thread cutter ❸ to make blank stitches, and cut the thread with it.

