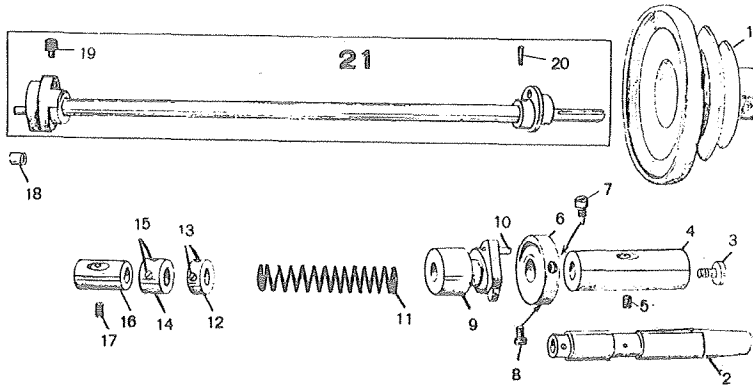
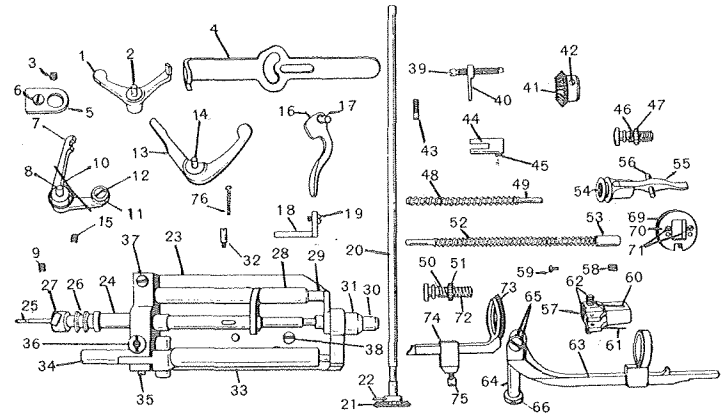


CHAINSTITCH EMBROIDERY MACHINES



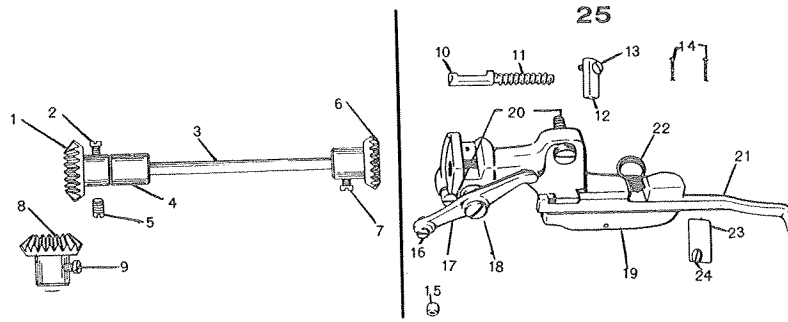
Ref.No.	Parts No.	Description
1	8017	Driving Pulley
2	8015	Driving Pulley Sleeve
3	8018	Driving Pulley Sleeve Screw
4	8016-A	Driving Pulley Sleeve Bushing
5	9B	Driving Pulley Sleeve Bushing Screw
6	8012	Arm Shaft Driving Flange W/Screws
7	8013	Arm Shaft Driving Flange Position Screw
8	8014	Arm Shaft Driving Flange Set Screw
9	8009	Stop Cam
10	8163	Stop Cam Driving stud
11	8009-A	Stop Cam Spring
12	8010	Stop Cam Spring Collar with Set Screws
13	132	Stop Cam Spring Collar Set Screw
14	5266	Arm Shaft Collar with Set Screws
15	132	Arm Shaft Collar Set Screw
16	8003-B	Arm Shaft Bushing
17	98	Arm Shaft Bushing Screw
18	8006	Needle Driving Cam Roller
19	8005	Needle Driving Cam Position Screw
20	8146	Looper Operating Cam Position Pin
21	813	Arm Shaft with Looper Operating Cam, Needle Driving Cam, Roller Stud, Position Pin & Position Screw

Ref. No.	Parts No.	Description
1	8057	Nipple Carrier Bell Crank
2	8058	Nipple Carrier Bell Crank Hinge Stud
3	8137	Nipple Carrier Bell Crank Hinge Stud Set Screw
4	8023	Needle Operating Slide
5	8028	Arm Head Sleeve Cap
6	5176-A	Arm Head Sleeve Cap Screw
7	8042	Feed Bell Crank
8	8043	Feed Bell Crank Hinge Stud
9	8137	Feed Bell Crank Hinge Stud Set Screw
10	8046	Feed Bell Crank Spring
11	8044	Feed Bell Crank Roller
12	8045	Feed Bell Crank Roller SCrew
13	8059	Presser Foot Slide Bell Crank
14	8058	Presser Foot Slide Bell Crank Hinge Stud
15	8137	Presser Foot Slide Bell Crank Hinge Stud Set Screw
16	8060-A	Presser Foot Lifter Hinge Screw
17	8061	Presser Foot Lifter Hinge Screw
18	8055	Nipple Carrier Guide
19	8182	Nipple Carrier Guide Screw
20	8108	Feed Rotating Shaft
21	8109	Feed Rotating Shaft Gear
22	8147	Feed Rotating Shaft Gear Position Pin
23	8019	Arm Head
24	8029-A	Arm Head Sleeve
25	8026-A	Needle Holder
26	8024	Needle Holder Clamping Sleeve
27	8025	Needle Holder Clamping Sleeve Thumb Screw
28	8031	Feed Slide Bar
29	8049	Nipple Carrier
30	8050	Nipple Carrier Sleeve
31	8151	Nipple Carrier Sleeve Bushing
32	8051	Nipple Carrier Lifting Screw Stud
33	8062	Presser Foot Slide Bar
34	8063	Presser Foot Slide Bar Guide
35	8139	Presser Foot Slide Bar Adjusting Screw
36	8020	Arm Head Screw (upper) (long)
37	8021	Arm Head Screw (upper)(short)
38	8022	Arm Head Screw (lower)
39	8047	Feed Regulating Screw
40	8048	Feed Regulating Screw Lock Lever Nut
41	8030	Arm Head Sleeve Gear with Set Screw
42	129-B	Arm Head Sleeve Gear Set Screw
43	8139	Presser Foot Slide Bar Guide Set Screw
44	8064	Presser Foot Slide Bar Spring Stop
45	8140	Presser Foot Slide Bar Spring Stop Screw
46	8054	Nipple Carrier Thumb Screw
47	8160	Nipple Carrier Thumb Screw Nut



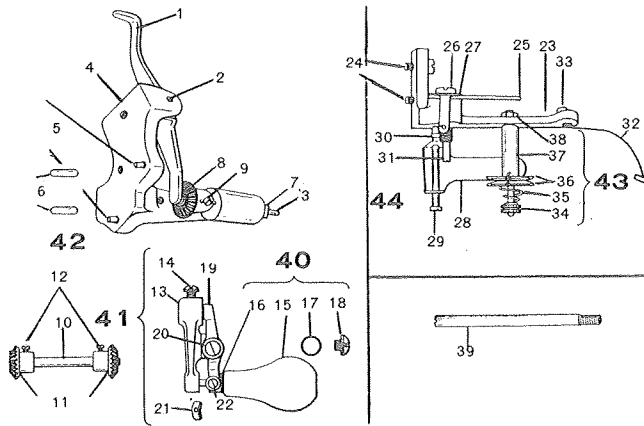
48	8052	Nipple Carrier Spring
49	8053	Nipple Carrier Extension
50	8067	Presser Foot Slide Bar Thumb Screw (pressure regulating)
51	8161	Presser Foot Slide Bar Thumb Screw Nut 51
52	8065	Presser Foot Slide Bar Spring
53	8066	Presser Foot Slide Bar Spring Plunger
54	8033	Feed Slide Block (for Model ES-1114-1)
	8033-A	Feed Slide Block (for Model ES-1114-2)
55	8034	Feed Lever
56	8144	Feed Lever Hinge Pin
57	8035	Feed Lever Bracket
58	129-B	Feed Lever Bracket Set Screw
59	124	Feed Lever Bracket Set Screw
60	8036	Feed Recovering Spring (left)
61	8037	Feed Recovering Spring (right)
62	8038	Feed Recovering Spring Screw
63	8068	Presser Foot Lever with Feed Lever Bracket Guide Bearing
64	8069-A	Presser Foot Lever Swivel and Pin
65	8070	Presser Foot Lever Swivel Hinge Screw
66	5227	Presser Foot Lever Swivel Stop Screw
69	8039	Feed Lever Bracket Guide
70	8040	Feed Lever Bracket Guide Cap
71	8136	Feed Lever Bracket Guide Cap Screw
72	8071-A	Presser Foot
73	8073-A	Presser Foot Shoe (rubber)
74	8072	Presser Foot Clamp
75	8025	Presser Foot Clamp Thumb Screw
76	8145	Arm Head Position Pin

CHAINSTITCH EMBROIDERY MACHINES



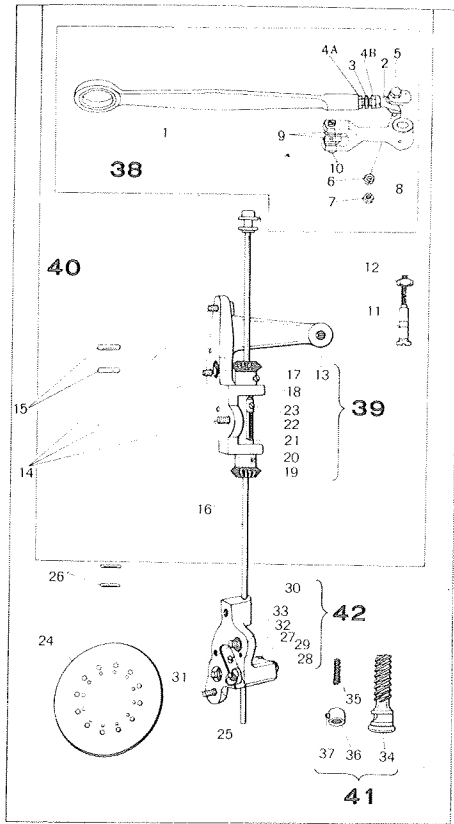
Ref.No.	Parts No.	Description
1	8110	Stitch Rotating Gear (upper) with Set Screw
2	8142	Stitch Rotating Gear (upper) Set Screw
3	8111	Stitch Rotating Gear Shaft
4	8180	Stitch Rotating Gear Shaft Bushing
5	132	Stitch Rotating Gear Shaft Bushing Screw
6	8112	Stitch Rotating Gear (lower) with Set Screw
7	8142	Stitch Rotating Gear (lower) Set Screw
8	8110	Feed Rotating Gear (upper)(rear)w/Set Screw
9	8142	Feed Rotating Gear (upper)(rear) Set Screw
10	8079	Stop Bracket Interlocking Rod
11	8080	Stop Bracket Interlocking Rod Spring
12	8081	Stop Bracket Interlocking Stop Block
13	121-B	Stop Bracket Interlocking Stop Block Screw

Ref.No.	Parts No.	Description
14	8159	Stop Bracket Position Pin
15	8077	Stop Cam Roller
16	8078	Stop Cam Roller Screw Stud
17	8075	Stop Cam Rocking Lever;
18	8076	Stop Cam Rocking Hinge Screw
19	8074	Stop Bracket
20	8172	Stop Bracket Screw
21	8082	Starting Trip Lever Slide
22	8084	Starting Trip Lever Slide Spring
23	8083	Starting Trip Lever Slide Cap
24	124	Starting Trip Lever Slide Cap Screw
25	801	Stop Bracket Complete, (Ref.Nos.) 10,11,12,13, 15,16,17,18,19,21,22,23 & 24



Ref.No.	Parts No.	Description
1	8123	Starting Trip Lever (intermediate)
2	8124	Starting Trip Lever (intermediate) Hinge Screw
3	8122	Starting Trip Lever Rod
4	8113	Stitch Rotating Gear Bracket
5	8143	Stitch Rotating Gear Bracket Screw
6	8149	Stitch Rotating Gear Bracket Position Pin
7	8114	Stitch Rotating Hand Lever Shaft
8	8096	Stitch Rotating Hand Lever Shaft Gear with Set Screw
9	8142	Stitch Rotating Hand Lever Shaft Gear Set Screw
10	8117	Stitch Rotating Gear Bracket Shaft(intmde.)
11	8110	Stitch Rotating Gear Bracket Shaft (intmde.) Gear (back or front) with Set Screw
12	8142	Stitch Rotating Gear Bracket Shaft(intmde.) Gear (back or front) Set Screw
13	8115	Stitch Rotating Hand Lever with Set Screw
14	5176-A	Stitch Rotating Hand Lever Set Screw
15	8118	Stitch Rotating Hand Lever Handle
16	8116	Stitch Rotating Hand Lever Handle Sleeve

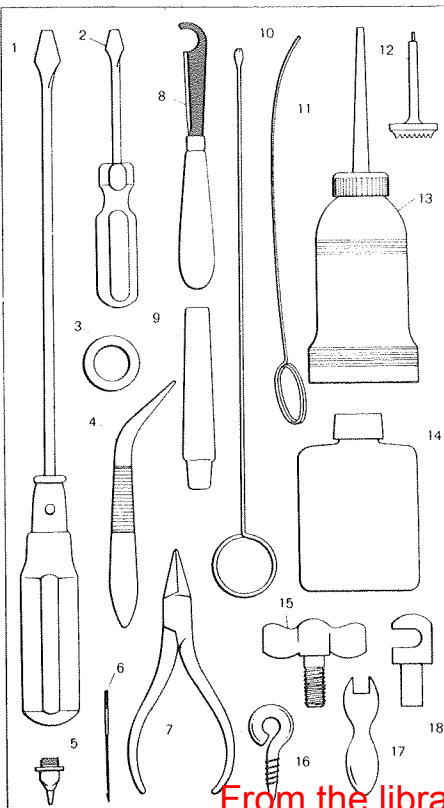
Ref.No.	Parts No.	Description
17	5070	Stitch Rotating Hand Lever Handle Sleeve Washer
18	8141	Stitch Rotating Hand Lever Handle Sleeve screw
19	8119	Starting Trip Lever
20	8045	Starting Trip Lever Hinge Screw
21	8120	Starting Trip Lever Block
22	8121	Starting Trip Lever Block Screw Stud
23	8125	Tension Bracket
24	8143	Tension Bracket Screw
25	8131	Tension Regulating Lever
26	8132	Tension Regulating Lever Hinge Screw
27	4140	Tension Regulating Lever Hinge Screw Spring Washer
28	8127	Tension Regulating Plate
29	8128	Tension Regulating Plate Hinge Screw
30	8129-A	Tension Regulating Spring
31	8130	Tension Regulating Screw Stud
32	8133-A	Thread Controller Spring
33	121	Thread Controller Spring Screw
34	81	Tension Thumb Nut
35	5267-A	Tension Spring
36	5190	Tension Disc
37	8164	Tension Stud
38	5207	Tension Stud Nut
39	8126	Spool Screw Stud
40	807	Stitch Rotating Hand Lever Handle Sleeve(Ref. No.)16 with 15, 17 & 18
41	808	Stitch Rotating Hand Lever (Ref.No.) 13 with 14, 19, 20, 21, 22 & 40
42	809	Stitch Rotating Gear Bracket Complete, (Ref. Nos.) 1,2,3,4,7,8,9,10, Two 11, Two 12 & 41
43	810	Tension Complete, (Ref.Nos.) 34, 35, Two 36, 37 & 38
44	811	Tension Bracket Complete, (Ref.Nos.) 23, 25, 26,27,28,29,30,31,32,33 & 43



Ref.No.	Parts No.	Description
5	8178	Looper Operating Connection Joint Hinge Stud
6	8179	Looper Operating Connection Joint Hinge Stud Spring Washer
7	5207	Looper Operating Connection Joint Hinge Stud Nut
8	8089-A	Looper Operating Bell Crank
9	8092	Looper Operating Bell Crank Hinge Block
10	8093	Looper Operating Bell Crank Hinge Block Screw
11	8090	Looper Operating Bell Crank Hinge Screw
12	8091	Looper Operating Bell Crank Hinge Screw Nut
13	8088	Looper Operating Bell Crank Bracket
14	8143	Looper Operating Bell Crank Bracket Screw
15	8149	Looper Operating Bell Crank Bracket Position Pin
16	8094	Looper Operating Shaft
17	8096	Looper Operating Shaft Sleeve Gear with Set Screw
18	8142	Looper Operating Shaft Sleeve Gear Set Screw
19	8097	Looper Operating Shaft Sleeve and Gear with Set Screw
20	8142	Looper Operating Shaft Sleeve and Gear Set Screw
21	8095-A	Looper Operating Shaft Guide
22	8098-A	Looper Operating Shaft Guide Block
23	129-B	Looper Operating Shaft Guide Block Set Screw
24	8106	Needle Plate
25	8107	Needle Plate Clamping Thumb Screw
26	8150	Presser Foot Lifting Stop Pin
27	8100-A	Looper
28	8152	Looper Collar with Set Screw
29	129-B	Looper Collar Set Screw
30	8099	Looper Bracket
31	8158	Looper Bracket Screw
32	8101	Looper Position Plate
33	124	Looper Position Plate Screw
34	8102	Looper Operating Gear (spiral)
35	8103	Looper Operating Gear Spring
36	8104	Looper Operating Collar with Set Screw
37	8105	Looper Operating Collar Set Screw
38	802-A	Looper Operating Connection Complete, (Ref. Nos.) 1, 2, 3, 4A, 4B, 5, 6, 7, 8, Two 9 & Two 10
39	803	Looper Operating Bell Crank Bracket (Ref.No.) 13 with 17 to 23
40	804-A	Looper Operating Bell Crank Bracket Complete, (Ref. Nos.) 11, 12, 16, 38 & 39
41	805	Looper Operating Gear (Ref. No.) 34 with 35, 36 & 37
42	806	Looper Bracket Complete, (Ref. Nos.) 27, 28, 29, 30, 32 & 33

Ref. No.	Parts No.	Description
1	8085-B	Looper Operating Connection (Cam end)
2	8177	Looper Operating Connection Joint
3	8174	Looper Operating Connection Joint Pitman
4A	8175	Looper Operating Connection Joint Pitman Nut (Upper)
4B	8176	Looper Operating Connection Joint Pitman Nut (Lower)

Accessories



Ref. No.	Parts No.	Description
1	AC 01	Screw Driver
2	AC 02	Screw Driver
※ 3	8073-A	Presser Foot Shoe (rubber)
※ 4	8170	Tweezers
※ 5	8056-1	Nipple
※	8056-2	Nipple
※	8056-3	Nipple
※	8056-4	Nipple
※	8056-5	Nipple
※	8056-6	Nipple
6	8027	Needle (137×1)
7	8171	Pliers
※ 8	8168	Thread Knife
※ 9	8169	Machine Rest Pin (wood)
※ 10	8167	Cleaning Wire
11	8156-A	Threader Wire
12	8071-B-B	Presser Foot (spur)
13	AC 04	Oiler
14	AC 05	Oil
※ 15	8157	Bed Clamping Thumb Screw
※ 16	8166	Screw Eye
17	8155	Nipple Wrench
18	8165	Machine Hinge Connection
1	8135	Arm Side Cover
2	123	Arm Side Cover Thumb Screw
3	8154	Arm Position Pin
4A	8153-A	Arm Screw (long)
4B	8153-B	Arm Screw (short)
5	8134	Arm Head Cover
6	5227	Arm Head Cover Thumb Screw

