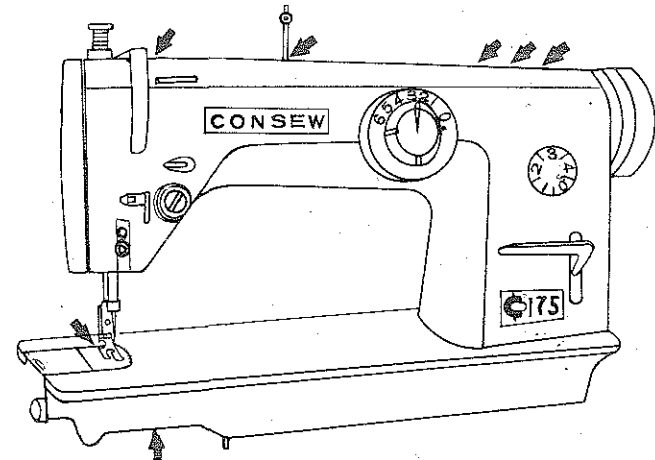


OPERATOR'S GUIDE CONSEW MODEL 175 MACHINE

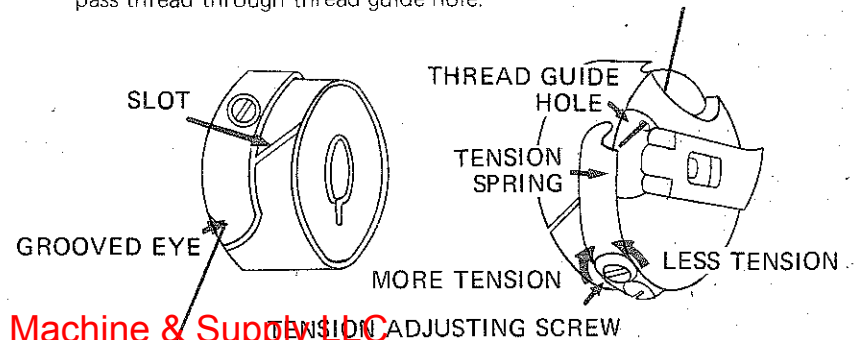
LUBRICATION

To assure smooth rotation and durability make sure of cleaning and oiling the main parts of the machine marked with the arrows shown.



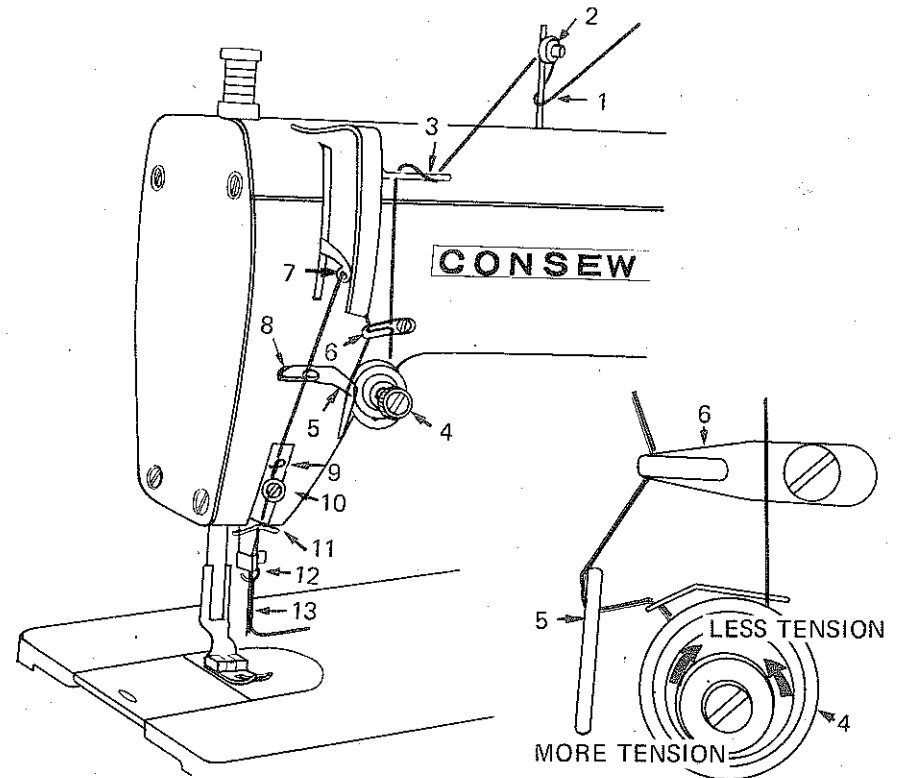
THREADING THE BOBBIN CASE

Insert bobbin into bobbin case and pull the trailing thread into slot down until it enters grooved eye under tension spring. And pass thread through thread guide hole.

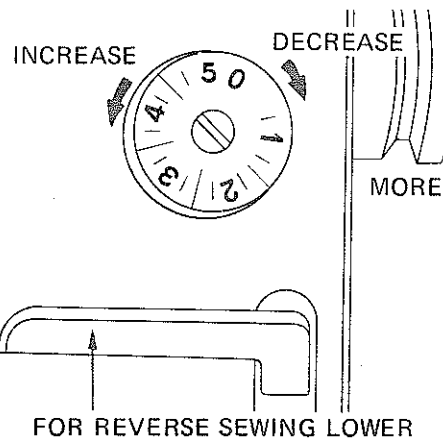


THREADING THE MACHINE

Lead thread from (1) to (13) in regular order.

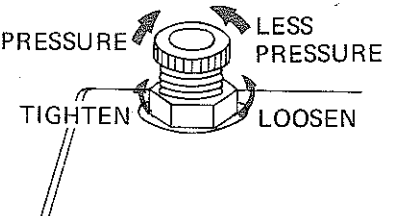


STITCH REGULATOR AND REVERSE SEWING

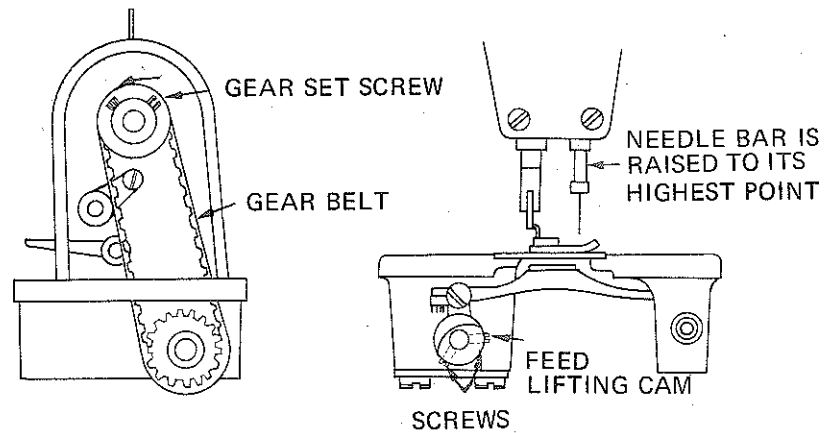


PRESSER FOOT PRESSURE

When the pressure of presser foot is adjusted, make sure of loosening nut and tightening it after adjustment.



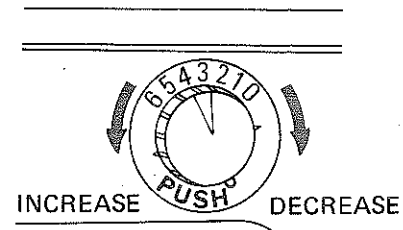
CHANGE OF GEAR BELT



In case of changing gear belt, gear set screw should be set so that either of feed lifting cam screws will be positioned horizontally as shown above when needle bar is raised to its highest position.

ZIGZAG WIDTH CONTROL

To change zigzag width, push and turn zigzag dial.

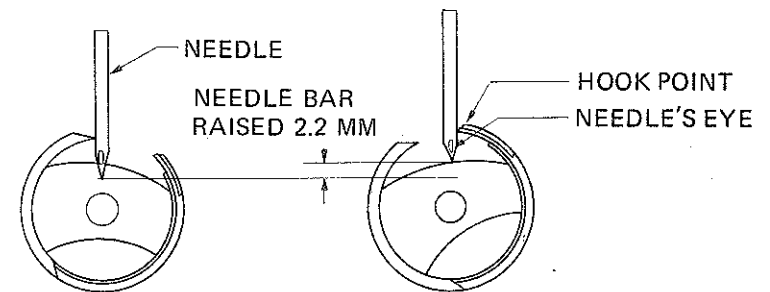


*Never push and turn dial while needle is in the material.

TIMING OF NEEDLE AND HOOK

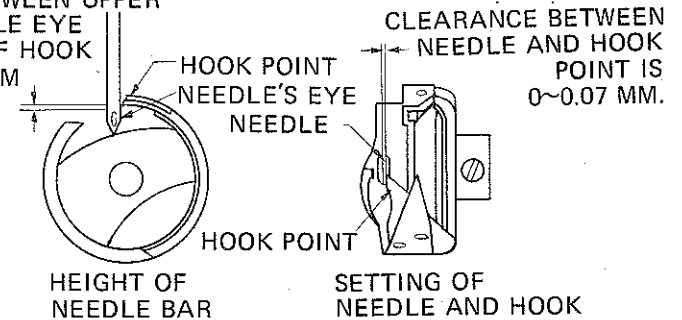
The correct timing between needle and hook is obtained when the following adjustments are properly done.

1. Turn zigzag dial to "0", and meet hook point with the center of needle when needle is raised 2.2 mm from its lowest point.
2. Turn zigzag dial to the maximum width "6", position needle toward left side (face plate), loosen needle bar bracket screw, and adjust the height of needle bar so that the distance between the upper end of needle eye and the inside of hook point should be 1.0 mm when hook point is met with the center of needle.
3. Set hook so that the clearance between needle and hook point should be 0~0.07 mm.



NEEDLE AT LOWEST POINT

DISTANCE BETWEEN UPPER END OF NEEDLE EYE AND INSIDE OF HOOK POINT IS 1.0 MM



Specifications

*Speed: 3,500 r.p.m.	*Used Needle: 135 x 5
*Maximum Stitch Length: 4.7 mm	*Size of Bed: 476 x 178 mm
*Zigzag Width: 0~6.0 mm	*Work Space: 280 x 134 mm
*Needle Bar Stroke: 30.8 mm	