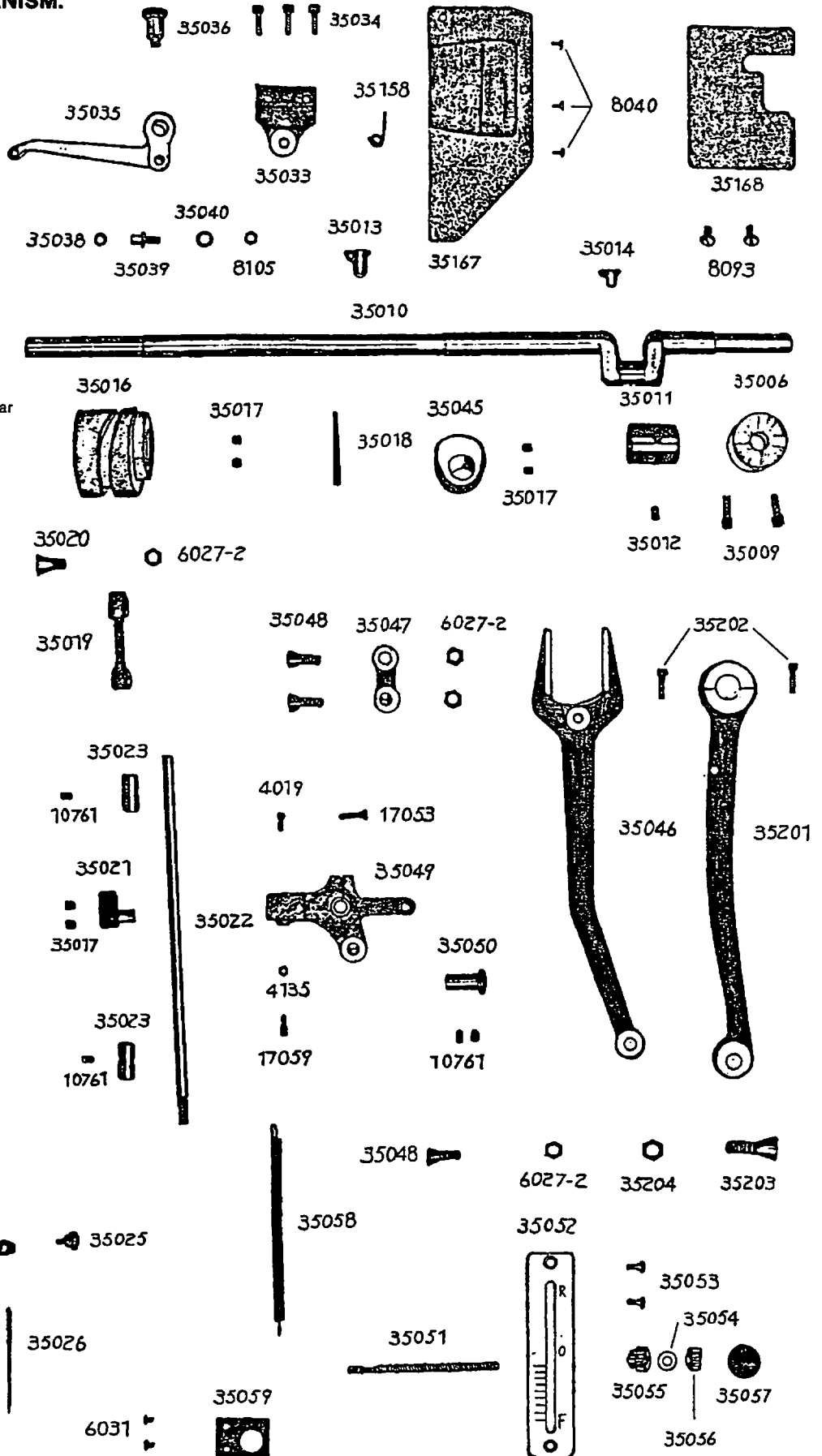


### 1. ARM SHAFT, TAKEUP LEVER, NEEDLE BAR AND FEEDING MECHANISM.

Part No.	Qty.	Description
4019	1	Screw
4135	1	Nut
6027-2	1	Nut
6037	1	Screw
8040	3	Screw
8093	2	Screw
8105	1	Nut
17053	1	Screw
17059	1	Screw
17061	1	Set screw
35006	1	Collar
35009	2	Screw
35010	1	Armshaft
35011	1	Bushing
35012	1	Set screw
35013	1	Oil Cup
35014	1	Oil Cup
35016	1	CAM
35017	4	Set screw
35018	1	Tapered Pin
35019	1	Link
35020	1	Hinge Screw
35021	1	Stud, Conn., Needlebar
35022	1	Needlebar
35023	2	Bushing
35024	1	Needle
35025	1	Screw, Needle Clamp
35026	1	Needle Clamp
35033	1	Casting insert
35034	3	Screw
35035	1	Lever Thd. Takeup
35036	1	Hinge Screw
35038	1	Nut
35039	1	Screw
35040	1	Washer
35049	1	Arm
35050	1	Fulcrum Pin
35051	1	Stud, Stitch Reg.
35052	1	Plate
35053	2	Screw
35054	1	Washer
35055	1	Nut
35056	1	Nut
35057	1	Ball Handle
35058	1	Spring
35059	1	Plate
35158	1	Spring
35167	1	Cover
35168	1	Cover
35201	1	Connecting Rod
35202	2	Cap Screw
35203	1	Hinge Screw
35204	1	Nut



### 2. UPPER FEEDING MECHANISM

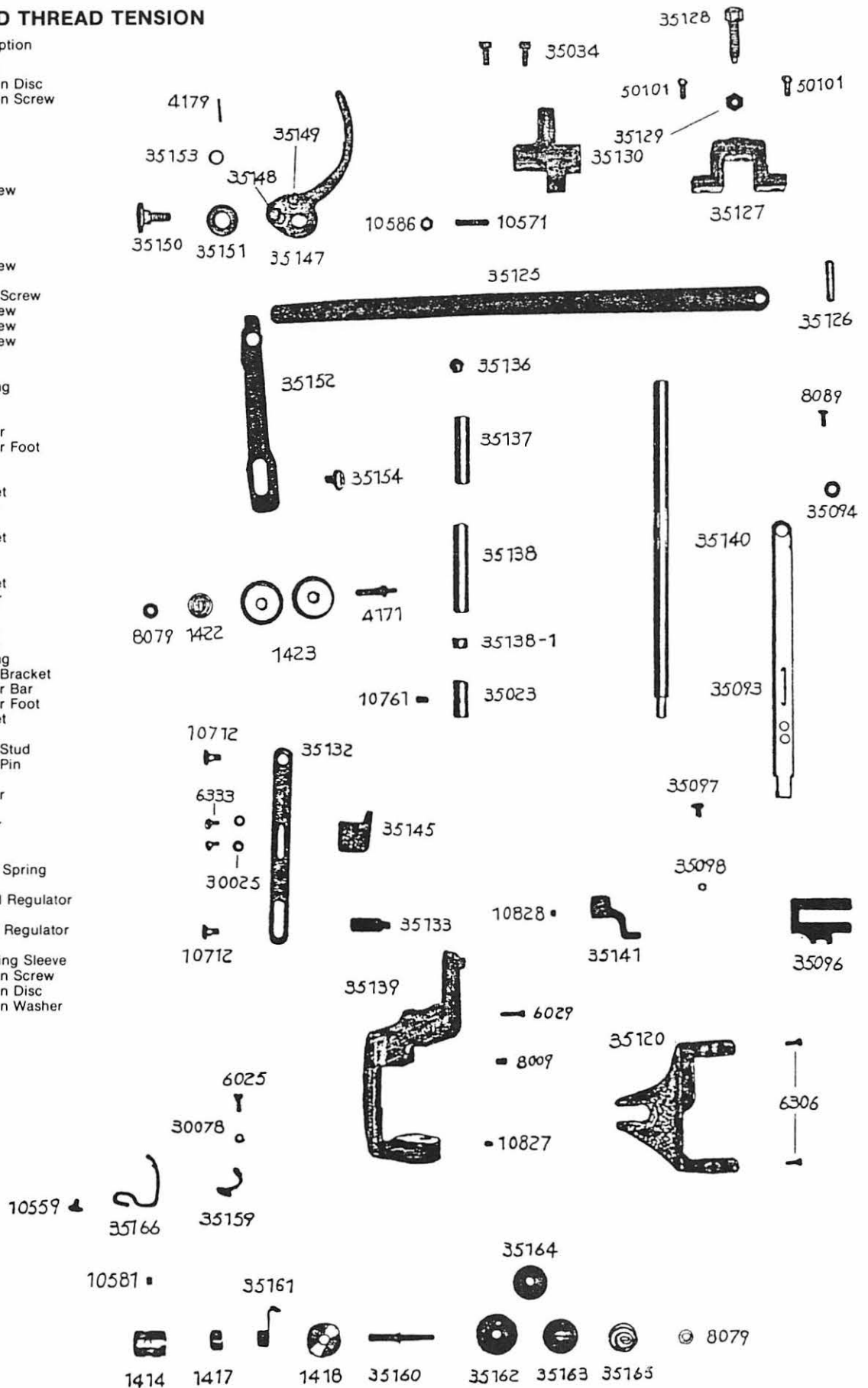
Part No.	Qty.	Description
8097	1	Setscrew
8105	1	Nut
10519	1	Screw
10524	2	Setscrew
10525	1	Setscrew
10566	2	Setscrew
10581	3	Setscrew
10598	1	Screw
10683	1	Screw
10685	1	Screw
10776	1	Wing Nut
35017	1	Setscrew
35034	3	Screw
35065	1	Crank
35066	1	Bushing
35067	1	Connecting Rod
35068	1	Pin
35069	1	Crank
35071	1	Bushing
35072	1	Shaft
35073	1	Friction Washer
35074	1	Bracket
35075	4	Screw
35076	2	Taper Pin
35077	1	Sleeve
35078	1	Crank
35079	1	Screw
35080	1	Sleeve
35081	1	Block
35082	1	Washer
35083	1	Feed Bar
35084	1	Pin
35085	2	Collar
35087	1	Saddle
35088	2	Screw
35089	2	Setscrew
35090	1	Rod Connector
35091	1	Screw
35092	1	Screw
35102	1	Strap
35103	2	Screw
35104	2	Nut
35105	1	Screw
35106	1	Nut
35107	1	Spacer
35108	1	Arm
35109	1	Shaft
35110	1	Bracket
35111	2	Screw
35112	2	Pin
35113	1	Arm
35114	1	Pin
35115	1	Crank
35117	1	Nut
35118	1	Washer
35119	1	Hinge Screw
50174	1	Pin
50295	2	Pin

10524  
 10566  
 10525  
 35077  
 35074  
 35073  
 35076  
 35071  
 35072  
 35078  
 35106  
 8105  
 35107  
 35103  
 35104  
 35102  
 35108  
 35109  
 35110  
 50295  
 35083  
 35109  
 35110  
 35067  
 35068  
 35069  
 35066  
 35075  
 35076  
 35077  
 35078  
 35079  
 35080  
 35081  
 35082  
 35083  
 35084  
 35085  
 10685  
 10683  
 35112  
 35111  
 35113  
 35034  
 35114  
 35065  
 35115  
 35117  
 35116  
 8105  
 35118  
 35119

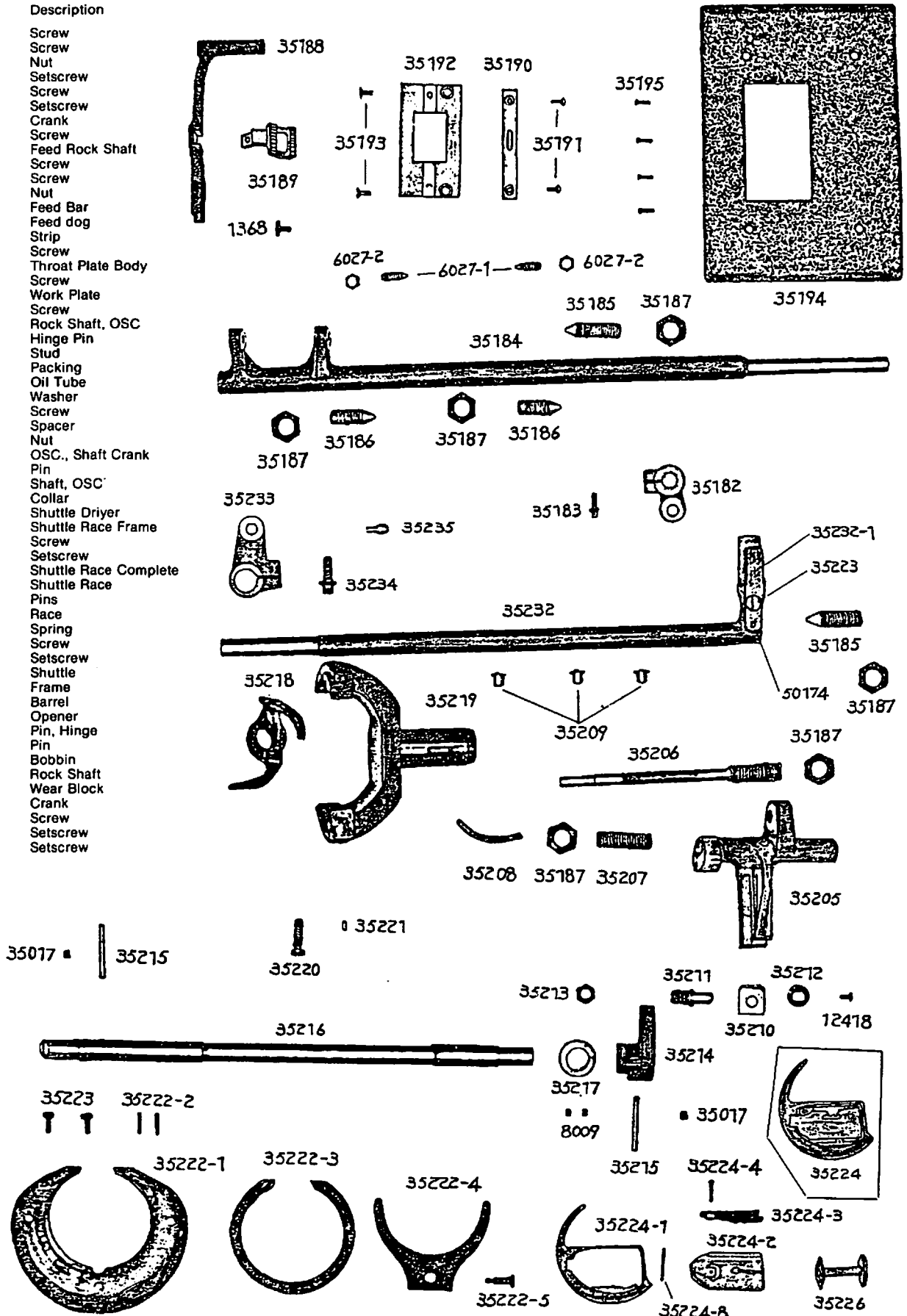
### 3. PRESSER AND THREAD TENSION

Part No.	Qty.	Description
1422	1	Spring
1423	2	Tension Disc
4171	1	Tension Screw
4179	1	Pin
6025	1	Screw
6029	1	Screw
6306	2	Screw
6333	2	Screw
8009	1	Setscrew
8079	2	Nut
8089	1	Screw
10559	1	Screw
10571	1	Stud
10581	1	Setscrew
10586	1	Nut
10712	2	Hinge Screw
10761	1	Setscrew
10827	1	Setscrew
10828	1	Setscrew
30025	2	Nut
30078	1	Screw
35023	1	Bushing
35034	2	Screw
35093	1	Link
35094	1	Washer
35096	1	Presser Foot
35097	1	Screw
35098	1	Nut
35120	1	Bracket
35125	1	Spring
35126	1	Pin
35127	1	Bracket
35128	1	Bolt
35129	1	Nut
35130	1	Bracket
35133	1	Spacer
35136	1	Slide
35137	1	Sleeve
35138	1	Sleeve
35138-1	1	Bushing
35139	1	Hinge Bracket
35140	1	Presser Bar
35141	1	Presser Foot
35145	1	Bracket
35147	1	Lifter
35148	1	Hinge Stud
35149	1	Hinge Pin
35150	1	Stud
35151	1	Washer
35152	1	Bar
35153	1	Spacer
35154	1	Screw
35159	1	Eyelet
35161	1	Check Spring
35164	1	Felt
35166	1	Thread Regulator
50101	2	Screw
1414	1	Spring Regulator
1417	1	Spring
1418	1	Adjusting Sleeve
35160	1	Tension Screw
35162	2	Tension Disc
35163	1	Tension Washer
35165	1	Spring



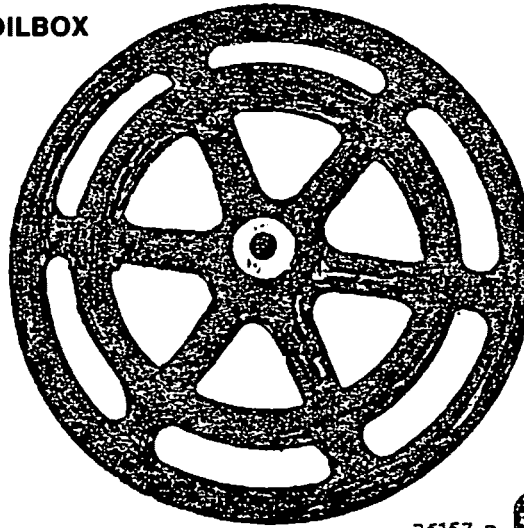
### 4. LOWER FEEDING, NEEDLE PLATE & HOOK

Part No.	Qty.	Description
1368	1	Screw
6027-1	2	Screw
6027-2	2	Nut
8009	2	Setscrew
12418	1	Screw
35017	2	Setscrew
35182	1	Crank
35183	1	Screw
35184	1	Feed Rock Shaft
35185	2	Screw
35186	2	Screw
35187	5	Nut
35188	1	Feed Bar
35189	1	Feed dog
35190	1	Strip
35191	2	Screw
35192	1	Throat Plate Body
35193	2	Screw
35194	1	Work Plate
35195	4	Screw
35205	1	Rock Shaft, OSC
35206	1	Hinge Pin
35207	1	Stud
35208	1	Packing
35209	1	Oil Tube
35210	1	Washer
35211	1	Screw
35212	1	Spacer
35213	1	Nut
35214	1	OSC., Shaft Crank
35215	2	Pin
35216	1	Shaft, OSC
35217	1	Collar
35218	1	Shuttle Driyer
35219	1	Shuttle Race Frame
35220	1	Screw
35221	1	Setscrew
35222	1	Shuttle Race Complete
35222-1	1	Shuttle Race
35222-2	2	Pins
35222-3	1	Race
35222-4	1	Spring
35222-5	1	Screw
35223	3	Setscrew
35224	1	Shuttle
35224-1	1	Frame
35224-2	1	Barrel
35224-3	1	Opener
35224-4	1	Pin, Hinge
35224-8	1	Pin
35226	1	Bobbin
35232	1	Rock Shaft
35232-1	1	Wear Block
35223	1	Crank
35234	1	Screw
35235	1	Setscrew
50174	1	Setscrew



### 5. BALANCE WHEEL, BELT GUARD, OILBOX AND PRESSER LIFTER LEVER

Part No.	Qty.	Description
6339	6	Setscrew
8100	3	Screw
10519		
10699	1	Screw
10712	1	Screw
11154	1	Pin
11371	1	Screw
13005	3	Screw
35008	1	Balance Wheel
35009	2	Screw
35131	1	Flat Spring
35157	1	Oil Box Comp.
35157-1	1	Oil Box
35157-2	1	Cover Oil Box
35157-3	1	Hinge Pin
35157-4	1	Spring
35157-7	2	Washer
35157-8	1	Washer
35157-9	1	Felt
35223	1	Screw
35239	1	Belt Guard Comp.
35239-1	1	Cover, Belt Guard
35239-2	1	Cover, Belt Guard
35239-3	1	Brace, Belt Guard
35276	1	Spring



35008

↑ 10699



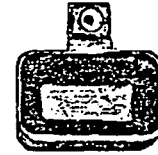
35157-2

■ 35157-7

● 35157-8

▲ 8100

— 35157-3



35157-1

■ 35157-7

▲ 8100

↑ 35157-4

▲ 8100

— 11154

35276

35223 ↑



35157-9



35009

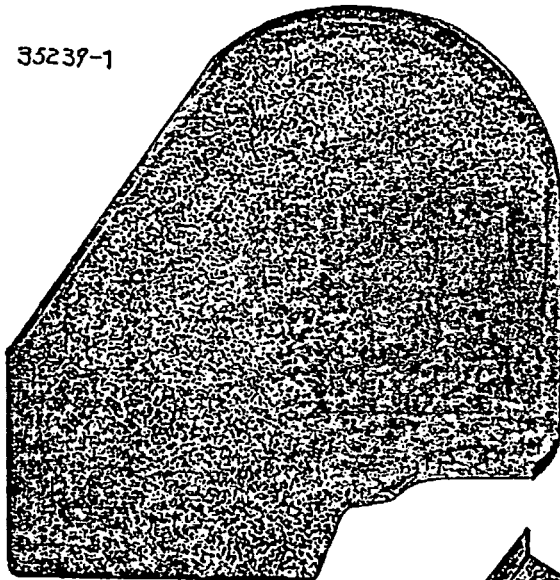
10712 ↑

↑ 11371



35131

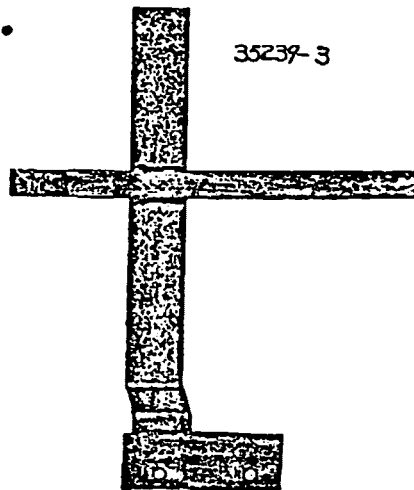
35239-1



6339



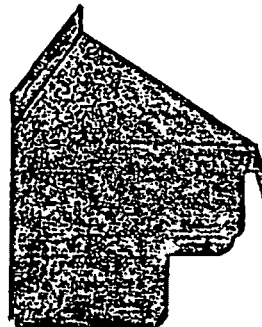
35239-3



13005



35239-2



10519 ↑

▲ 13005

### 6. ACCESSORIES

Part No.	Qty.	Description
0040	1	Nut
0058	2	Washer
1870	1	Wrench, Allen
8118	1	Screwdriver
8120	1	Screwdriver
8123	1	Oil Bottle
8132	1	Box, Accessories
11376	1	Strap
11377	2	Screw
11378	2	Nut
11379	2	Washer
11571	1	Wrench, Allen
35026	1	Needle
35225	1	Opener
35226	5	Bobbin
35240	2	Bed Bracket
35241	8	Screw, Bracket
35254	1	Cotton Stand
35255	1	Bobbin Winder
35277	1	Chain
35278	1	Chain
35279	1	Chain
35280	1	Presser foot lifter & feed reverse intermediate linkages, complete set.
50297	2	Pedal Assy.

