

CONSEW *Since 1898*®

CONSOLIDATED SEWING MACHINE CORP.

└ INDUSTRIAL SEWING & CUTTING EQUIPMENT

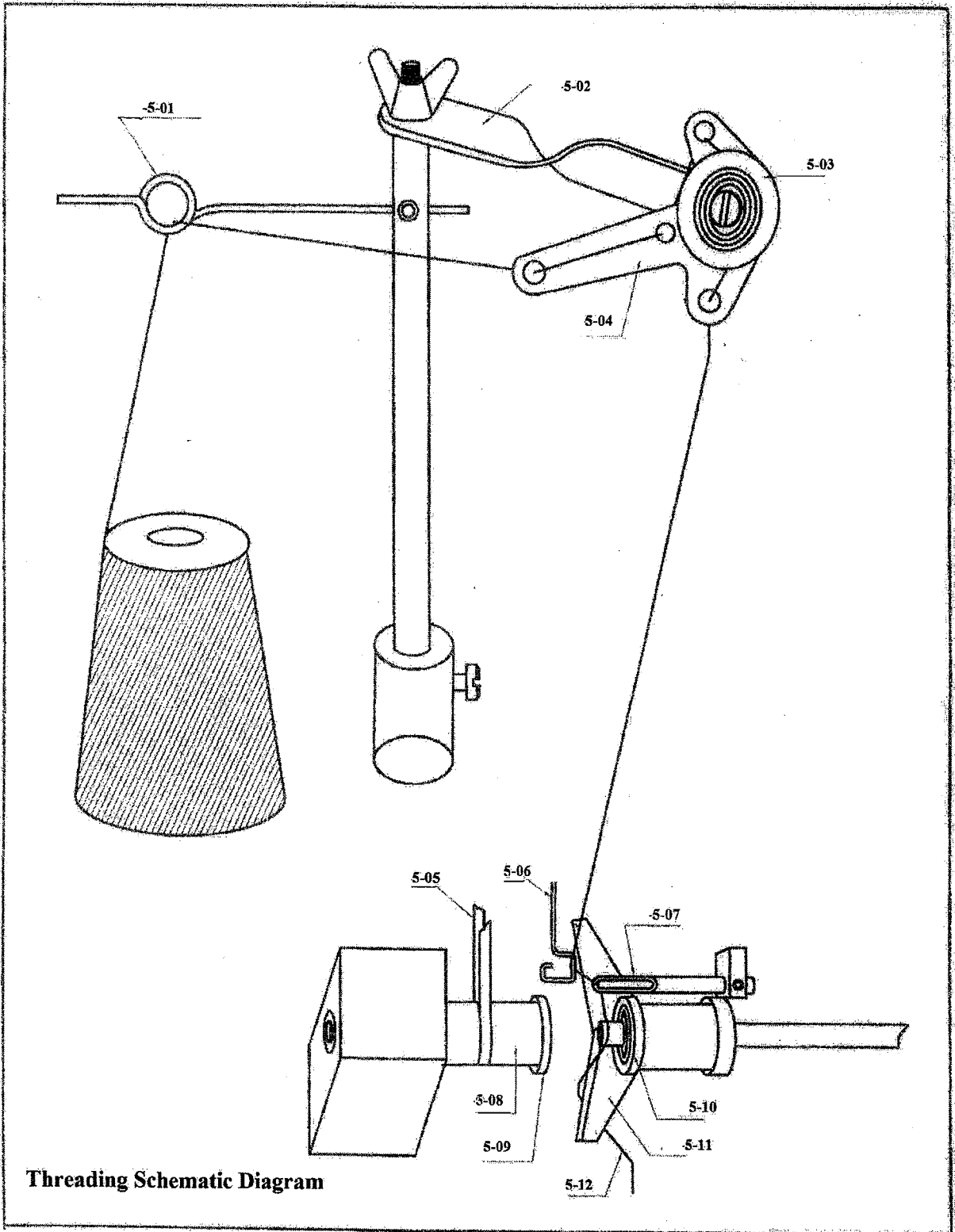
**OPERATING
INSTRUCTIONS
&
PARTS LIST
F117-1**

CONSEW *Since 1898*®

CONSOLIDATED SEWING MACHINE CORP.

└ INDUSTRIAL SEWING & CUTTING EQUIPMENT

400 VETERANS BLVD, CARLSTADT, NJ 07072



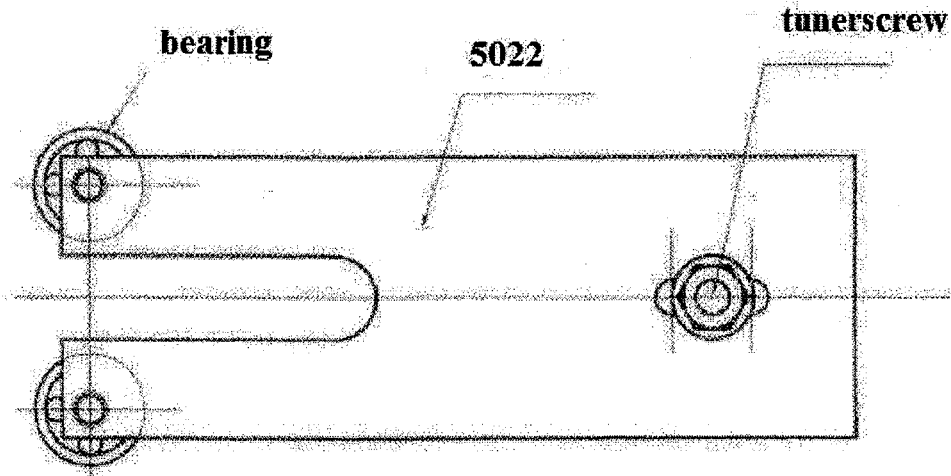
Threading Schematic Diagram

- 5-01 Filter**
- 5-02 Rotary knob shelf**
- 5-03 Cord bracket**
- 5-04 Thread guide**
- 5-05 Belt**
- 5-06 Thread guide hook**
- 5-07 Guide needle**
- 5-08 Spool**
- 5-09 Rubber gasket (left)**
- 5-10 Rubber gasket (right)**
- 5-11 Scissors**
- 5-12 Thread**

Auto bobbin winder adjustment method

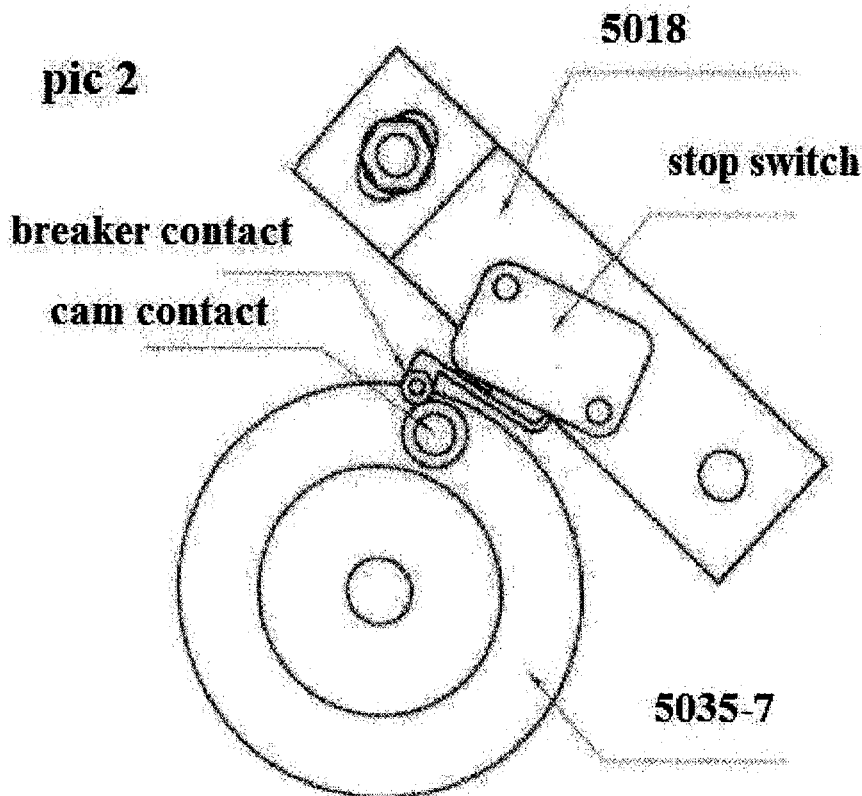
1, Tuner screw: it's for adjusting the open-shut angle of scissors, and reciprocating movement extent of guide needle. (pic 1)

pic 1



2, Adjusting the stop position of stop switch:

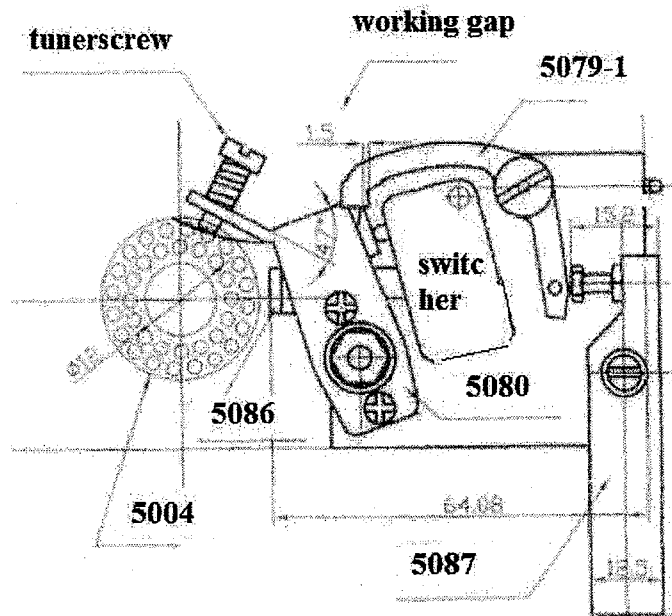
In normal winding circumstances, if find the winding spindle can't stop, that is, only pass bobbin but not wind. If there have no problem on switcher, then we should adjust the switch's (5018) position, move the switch toward the cam(5035-7), make the breaker contact stop on upper parts of cam contact, then compact the cam contact and stop switch. (pic 2)



3, A Tuner screw: the winding thread amount can be adjusted by it, turn right of screw, line increase; turn left of screw, line decrease. (pic 3)

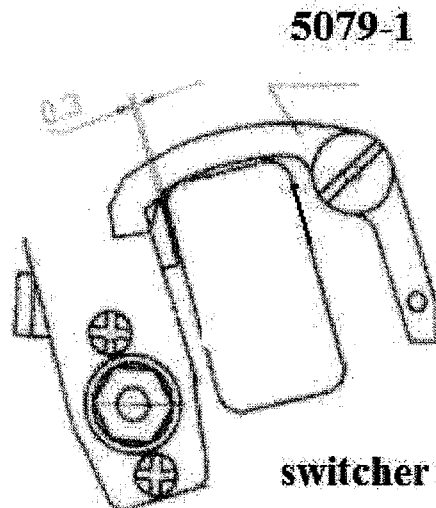
B Adjusting the working gap of stop switch:
When the machine winding, between in crank fore-end(5079-1) and full line seat(5080), the Lateral clearance is 1.5-2mm. (pic3)

pic 3



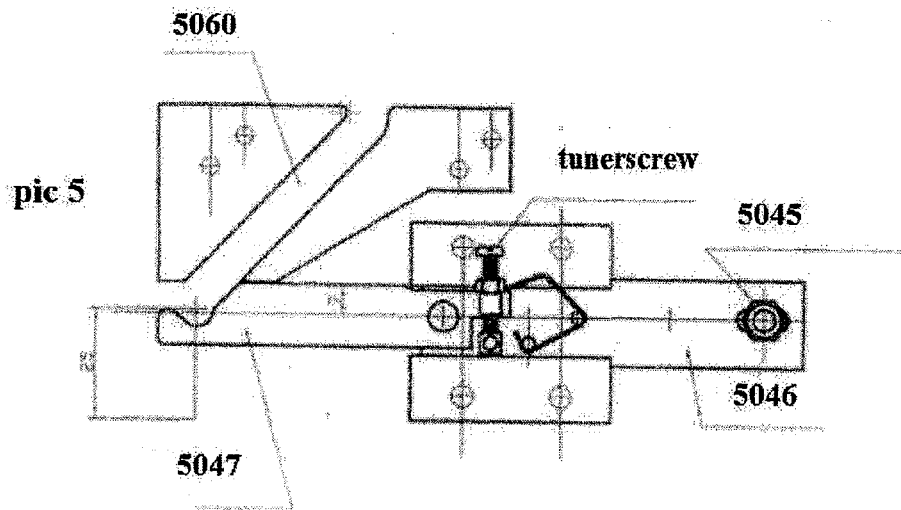
4, When finish winding full bobbin, the full line seat(5080) will press to stop switch. The crank hook parts act on tension spring, make it compress downward. (pic 4)

pic 4

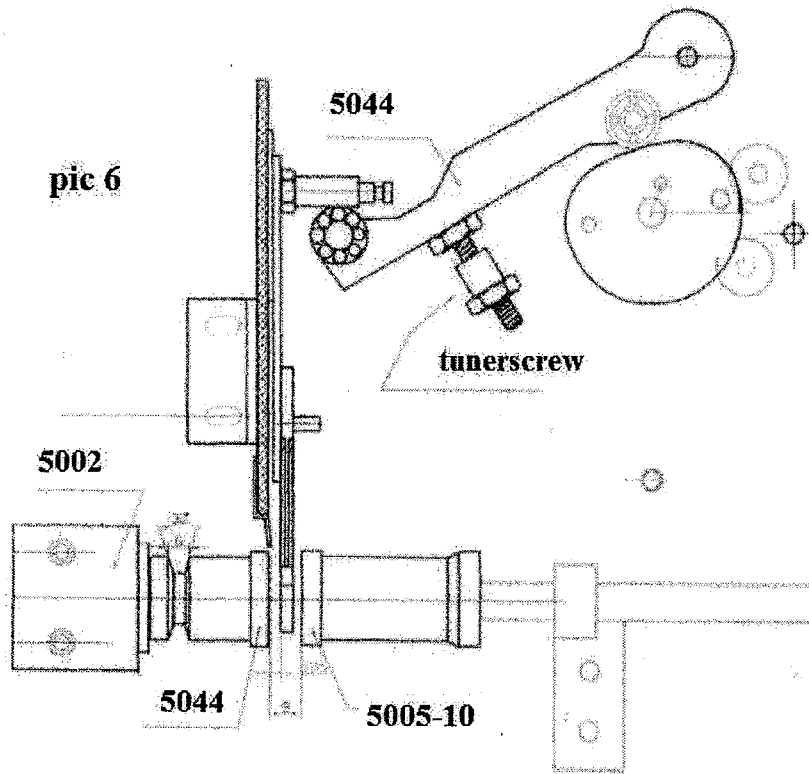


5, A Tuner screw(5045): the machine had be tested before delivery. The tuner screw is for making the slidaway(5060) and groove's centre stand in same line. (pic 5)

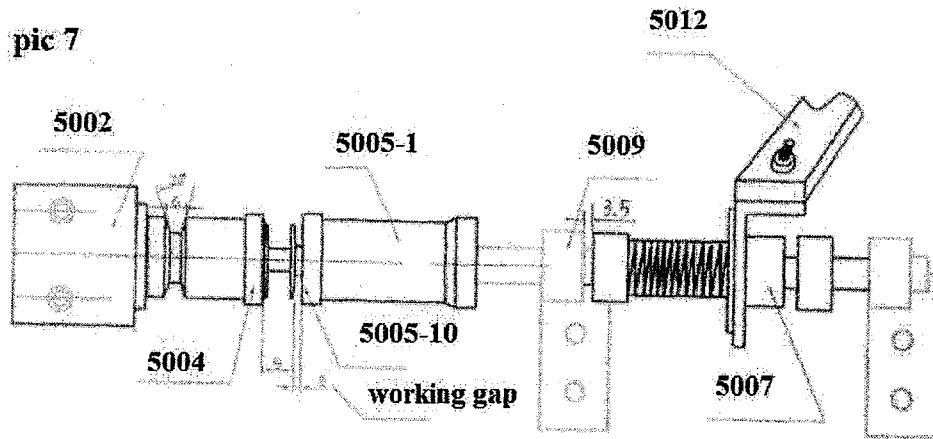
B Tuner screw: when the bobbin is sent to chuck, but not reach the centre of it, now please adjust the tuner screw, turn left or right. (pic 5)



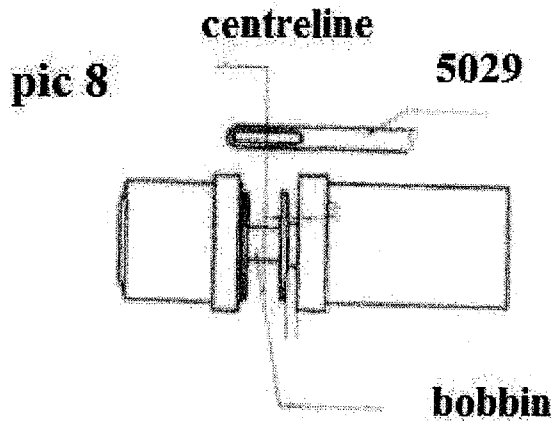
6, Tuner screw: when the bobbin is sent to chuck, but not in the centre of spool, now please adjust the tuner screw, turn right when the bobbin located ahead, conversely, turn left. (pic 6)



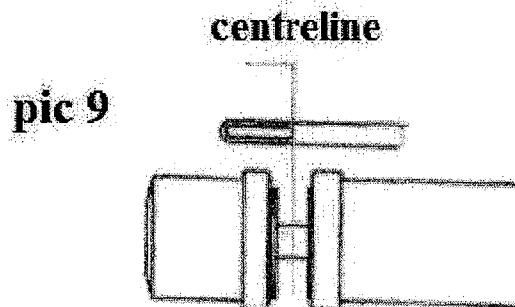
7, Tuner ring(5007): when the machine is working, the distance of bobbin's left side and right rubber ring(5005-10) is 1-2mm; the distance of axle base(5009) and ring's end face is 3.5mm. (pic 7)

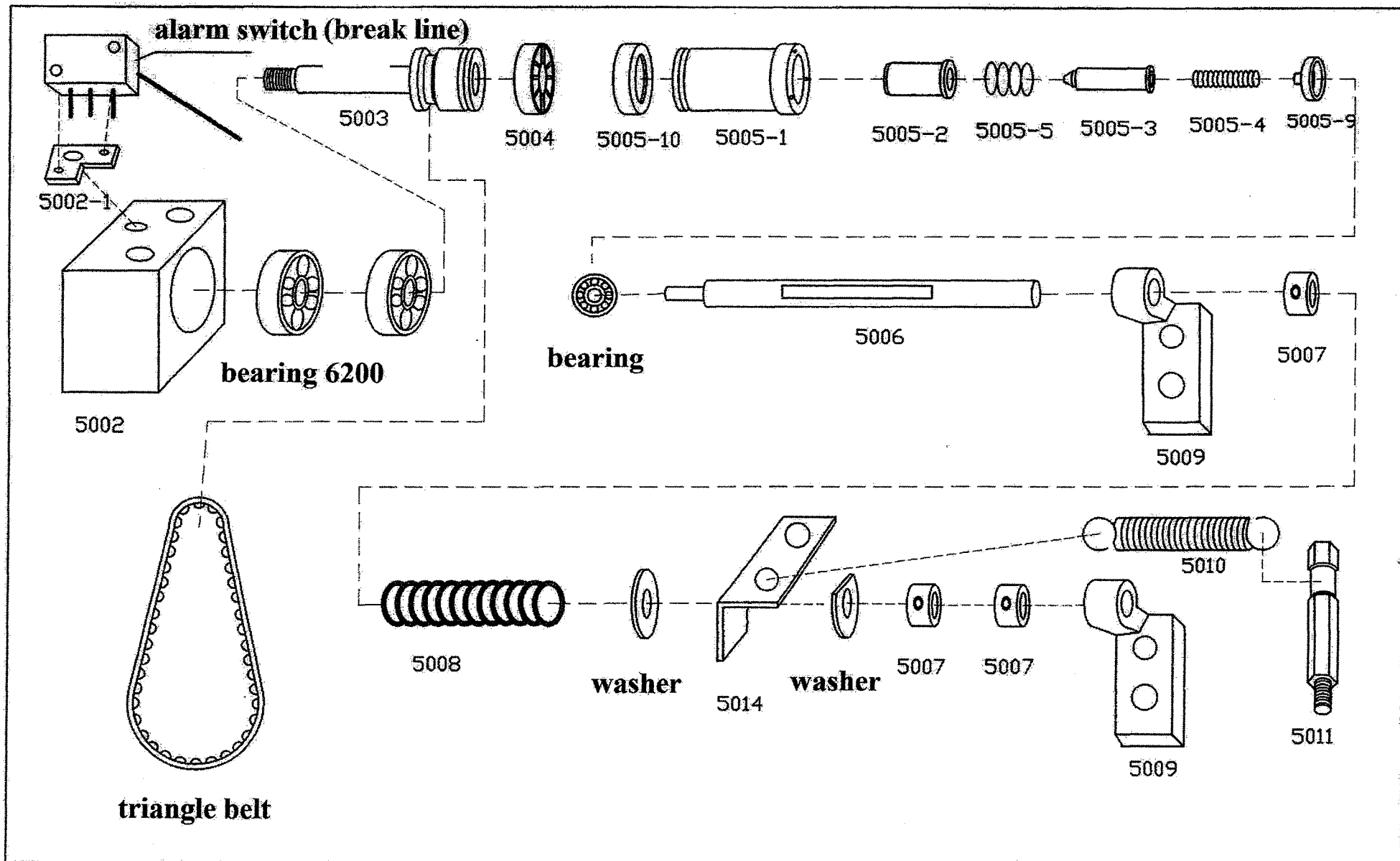


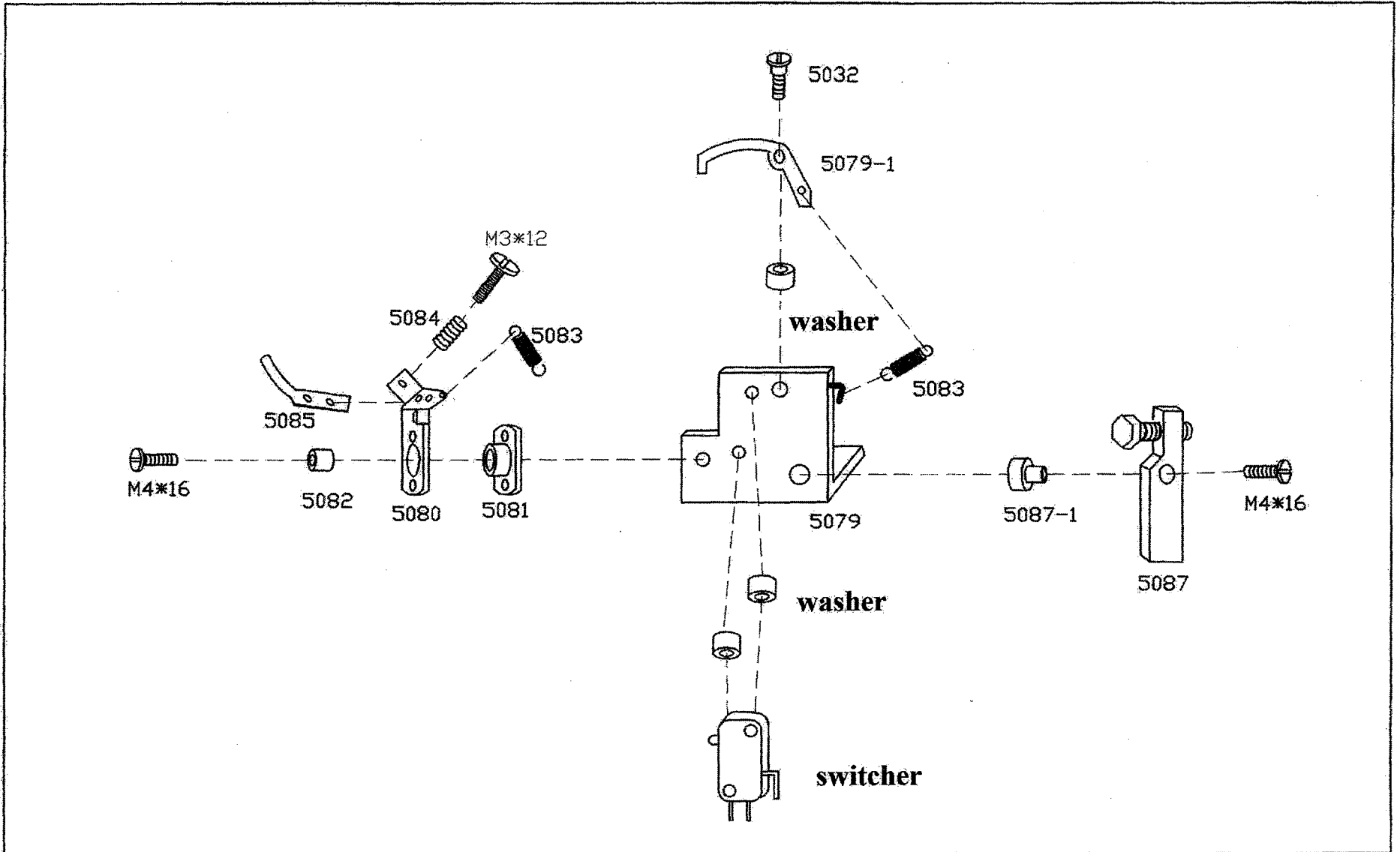
8, Guild needle(5029): when the machine is working, the centre of needle groove and bobbin are located in the same line. (pic8)

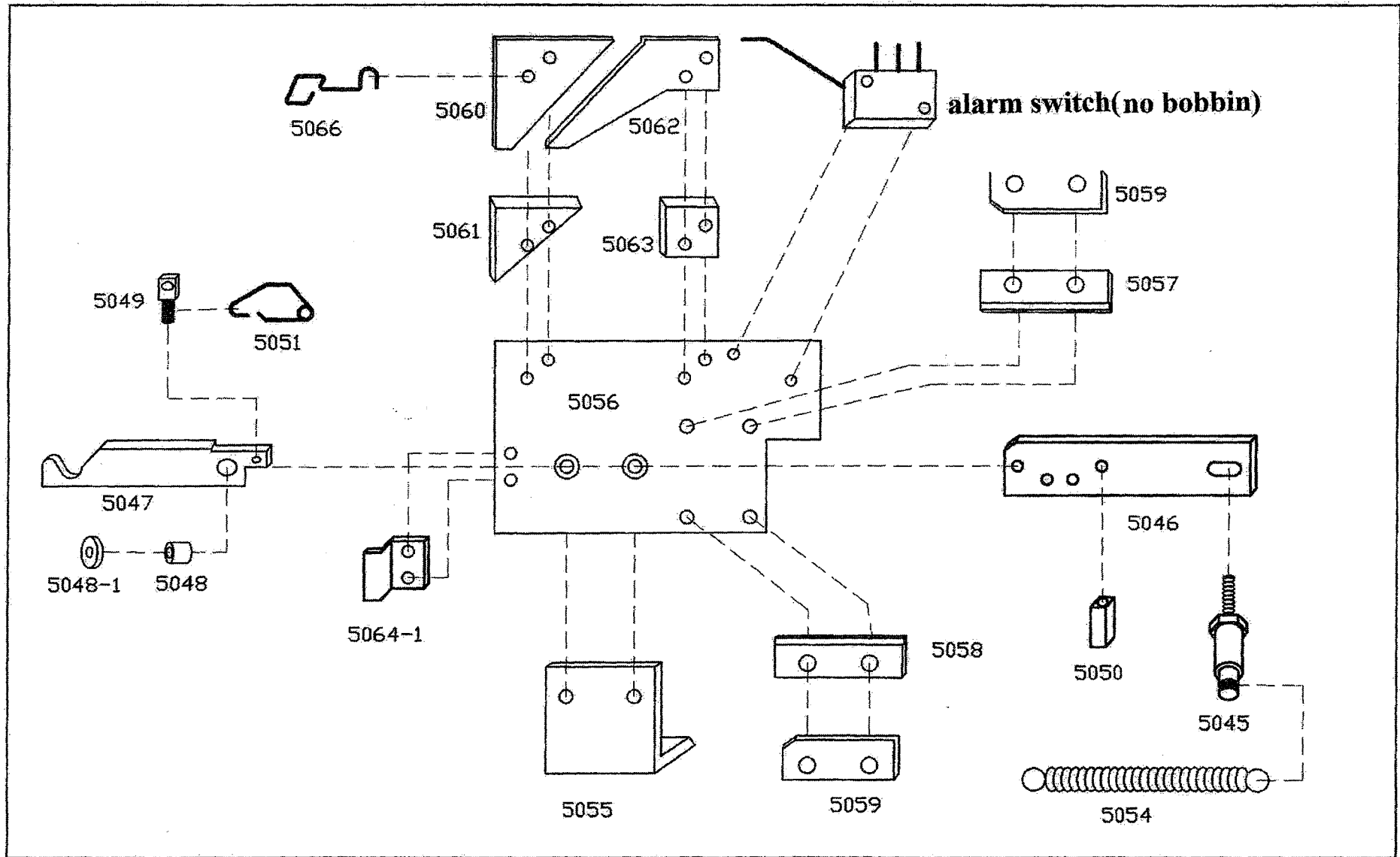


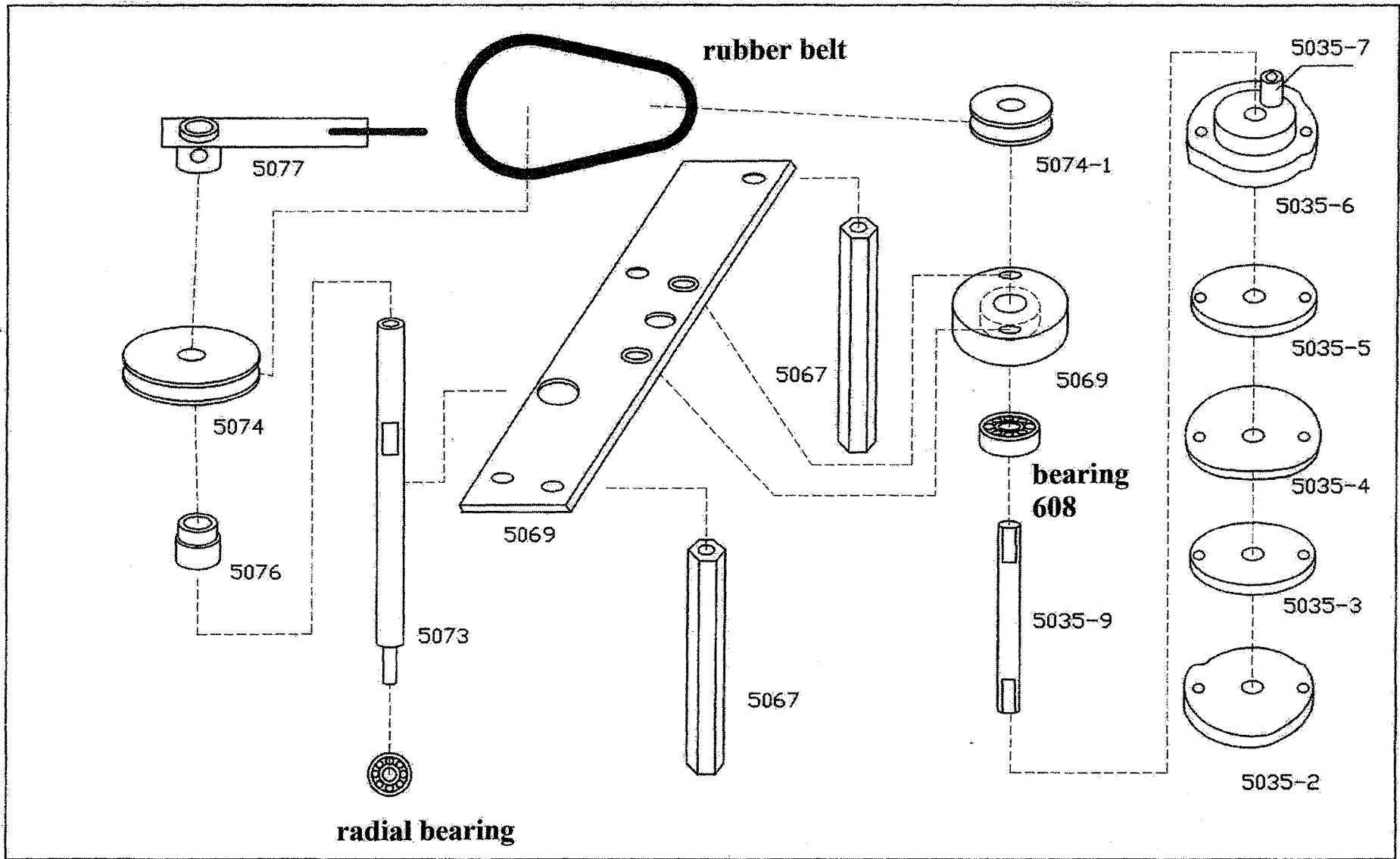
9, In clumping condition, the right side of guild needle and bobbin's centre are in the same line, then it can be winding. If not, please adjust the guild needle. (pic 9)

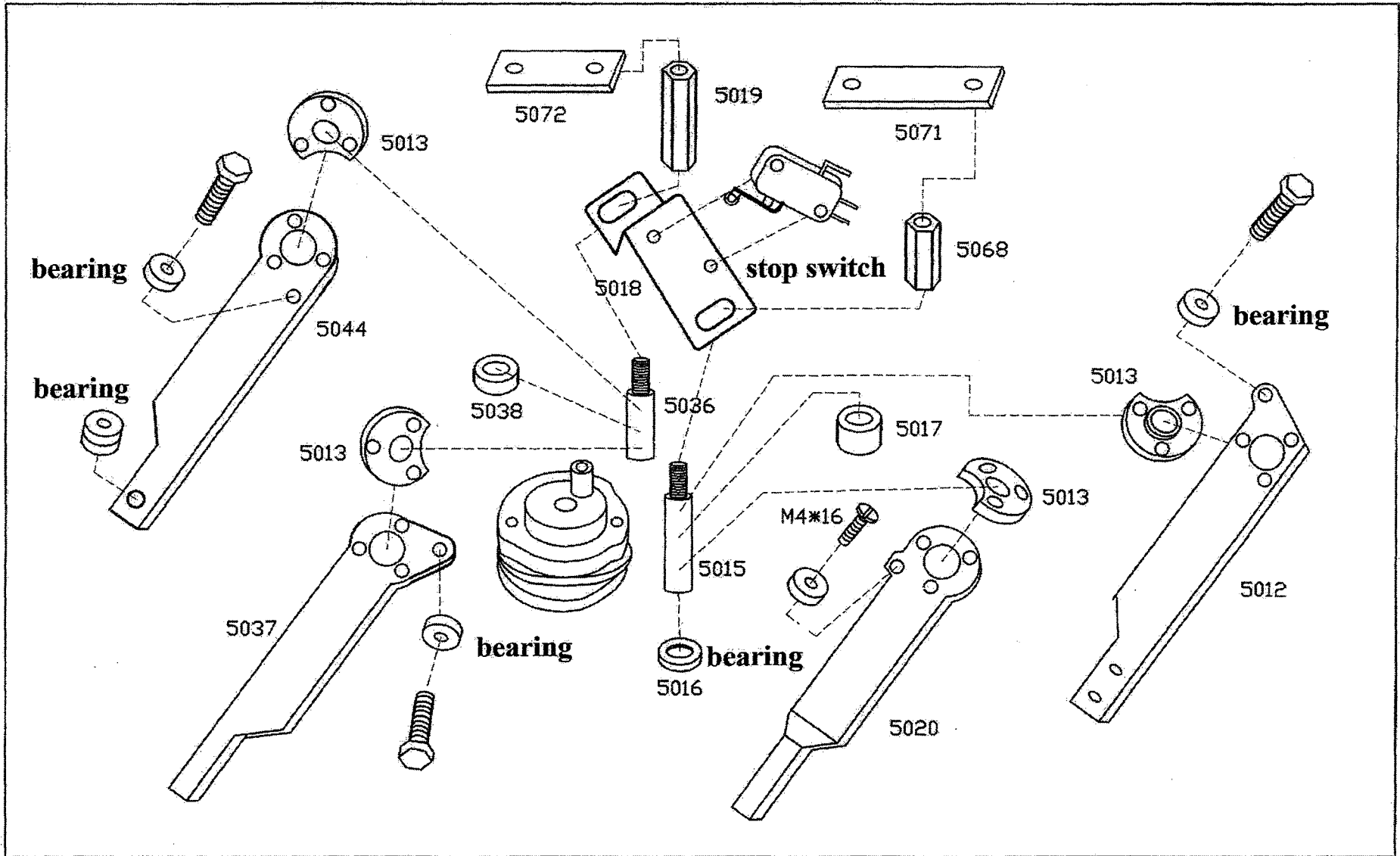


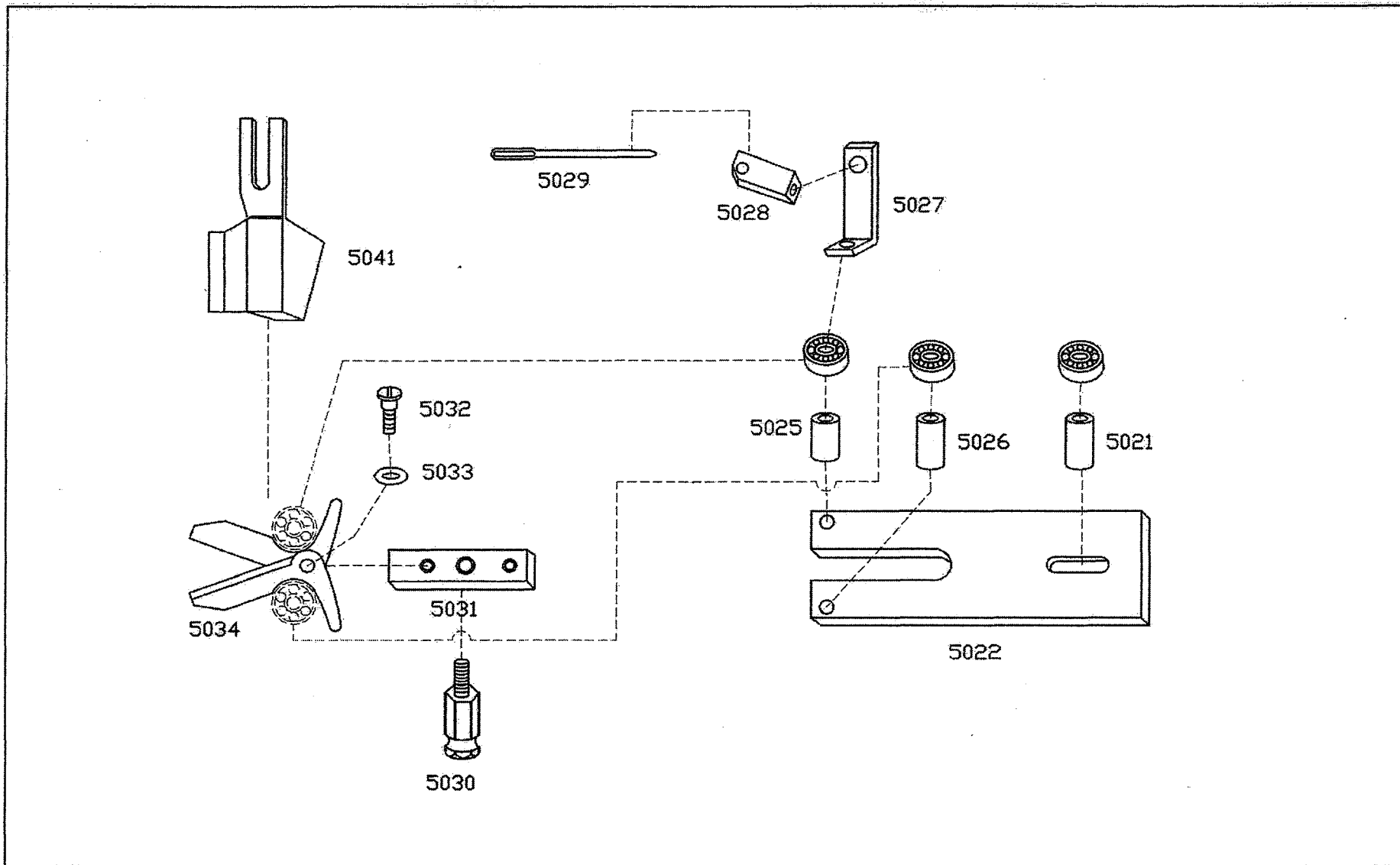


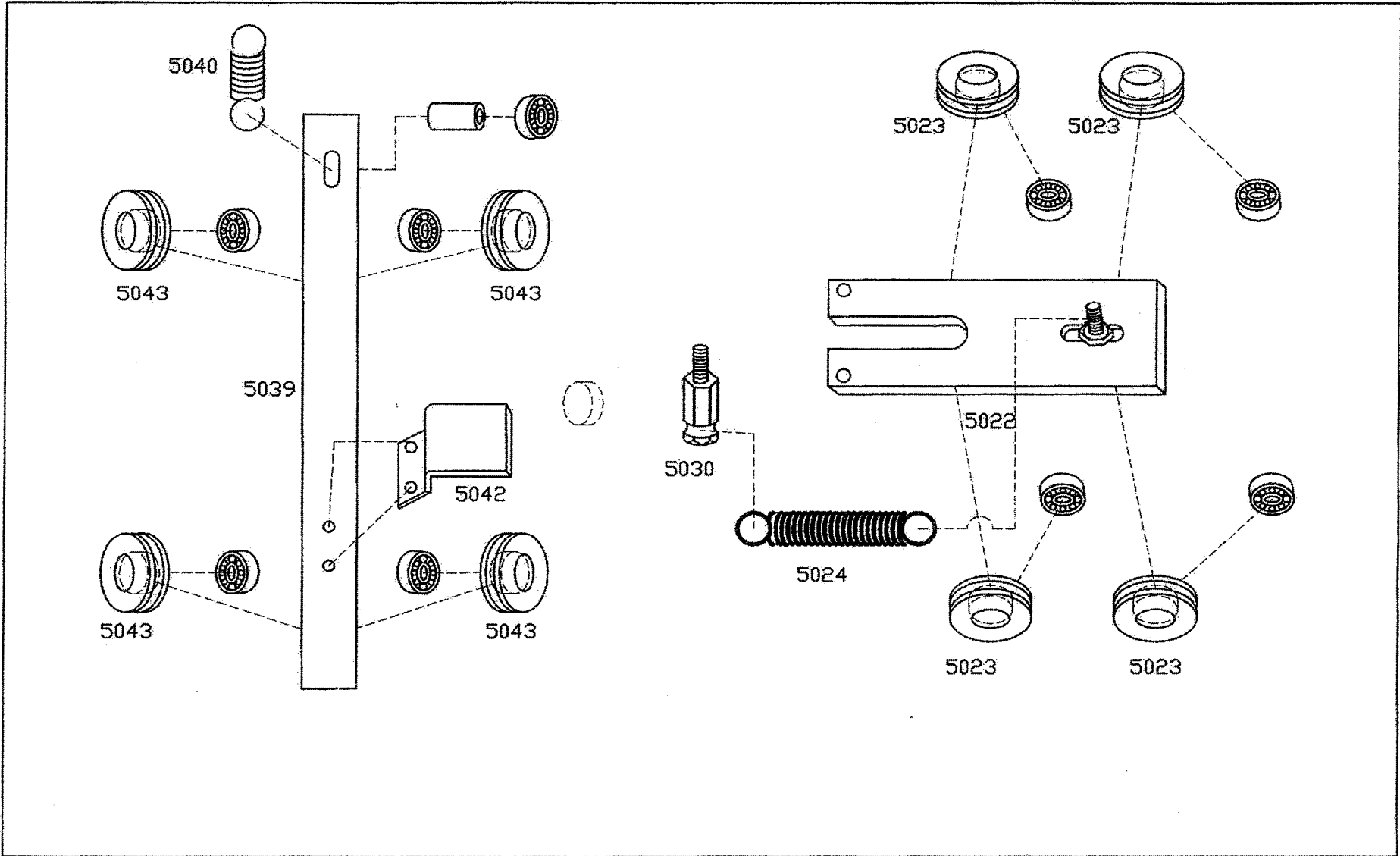


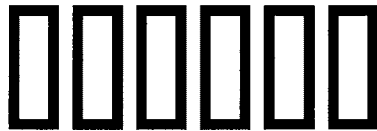
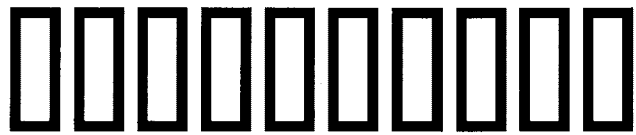












CONSEW Since 1898
CONSOLIDATED SEWING MACHINE CORP.
INDUSTRIAL SEWING & CUTTING EQUIPMENT
400 VETERANS BLVD, CARLSTADT, NJ 07072
212-741-7788