

JUN 2 1960

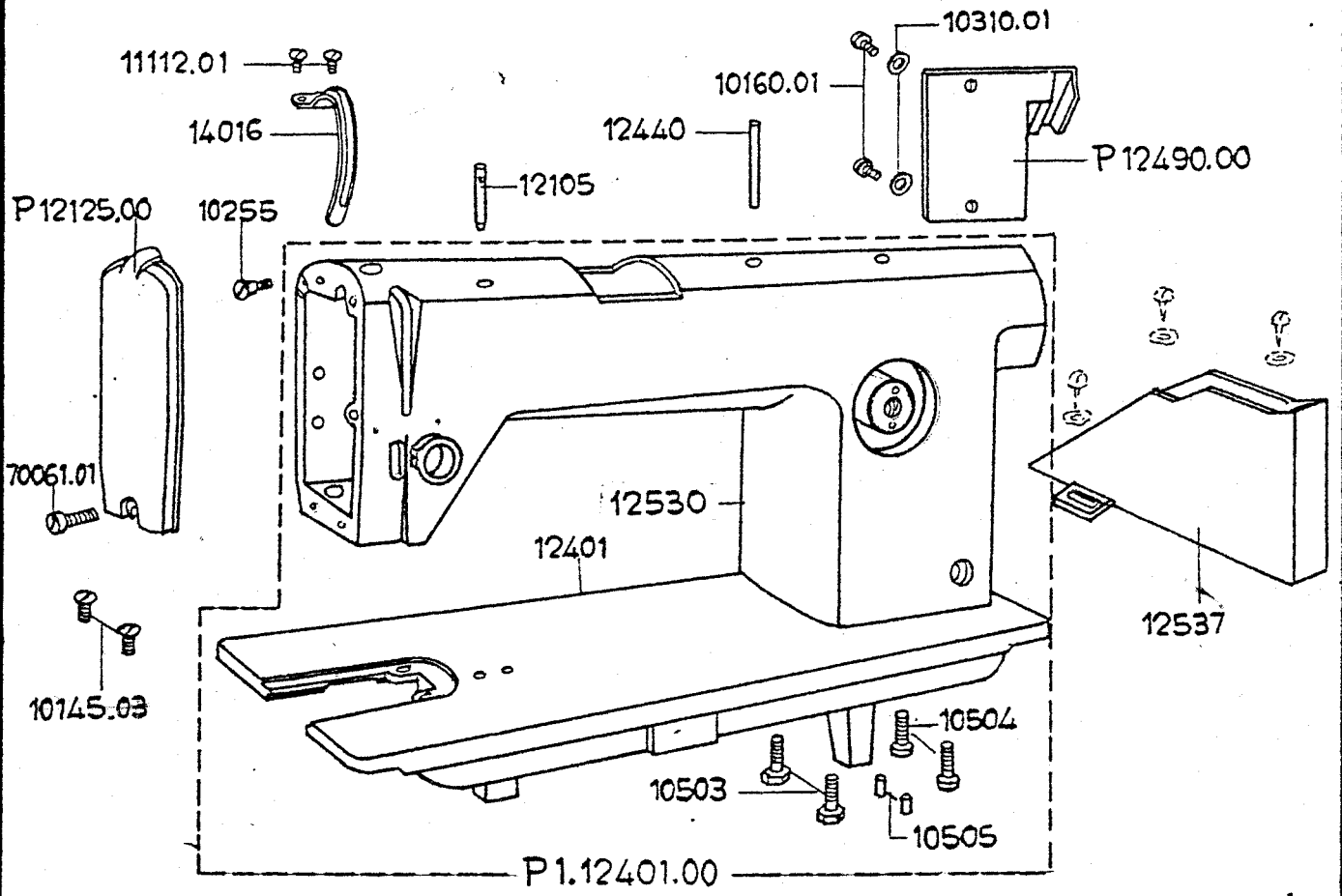
PARTS LIST

PREMIER

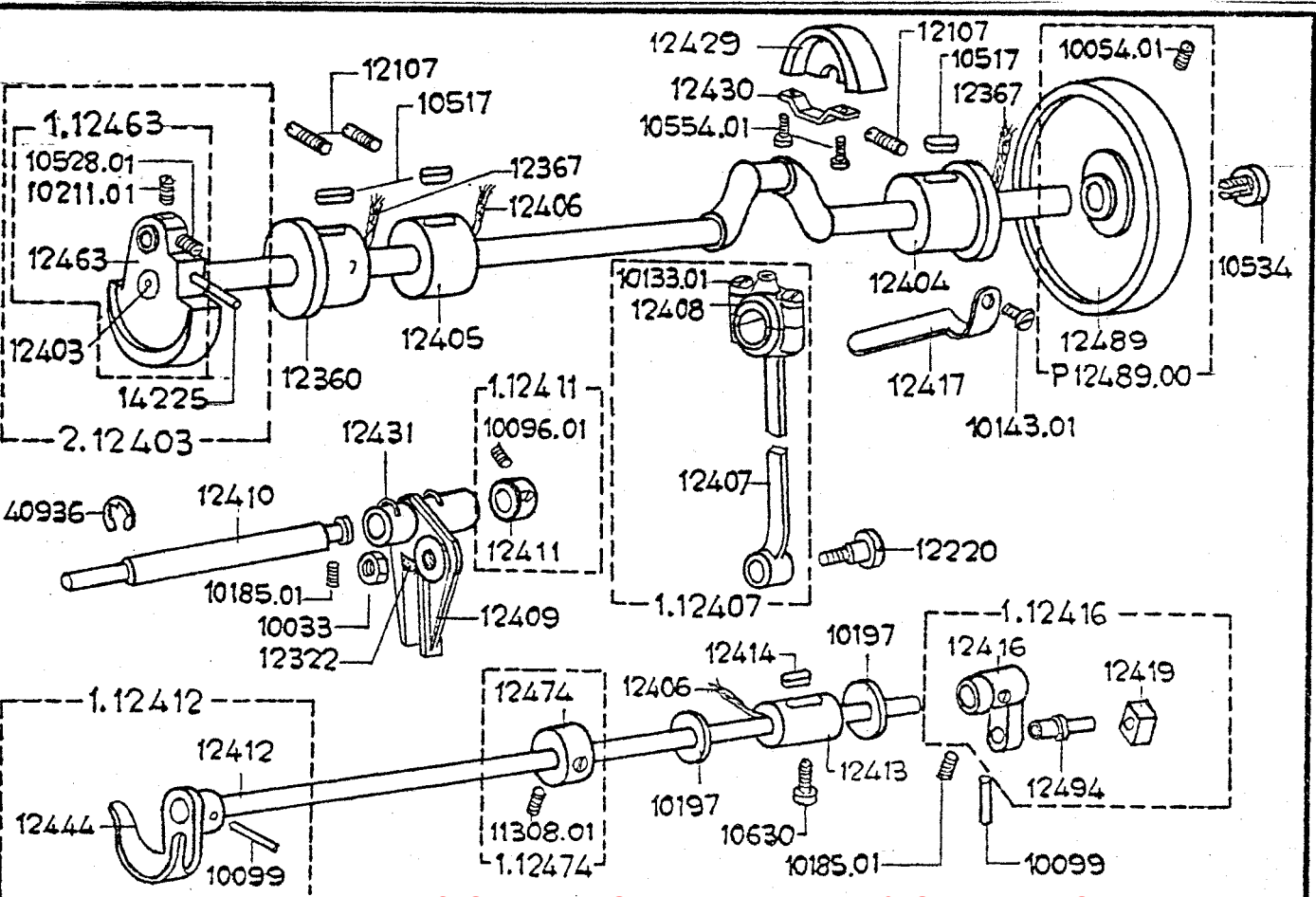
MODEL P-130

CONSEW

NEW YORK - LOS ANGELES

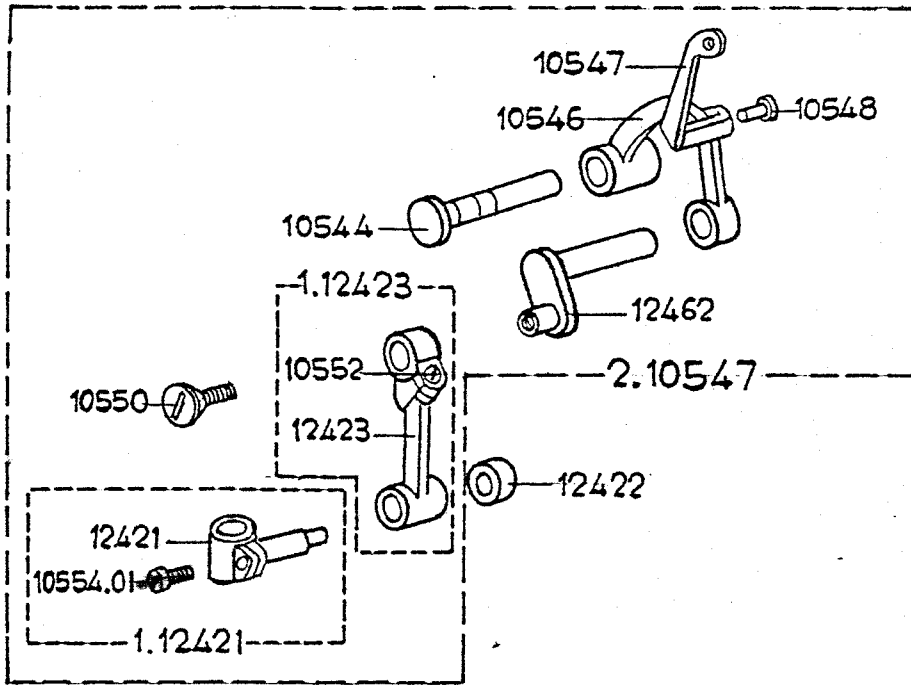


MODELOS 175-300 1



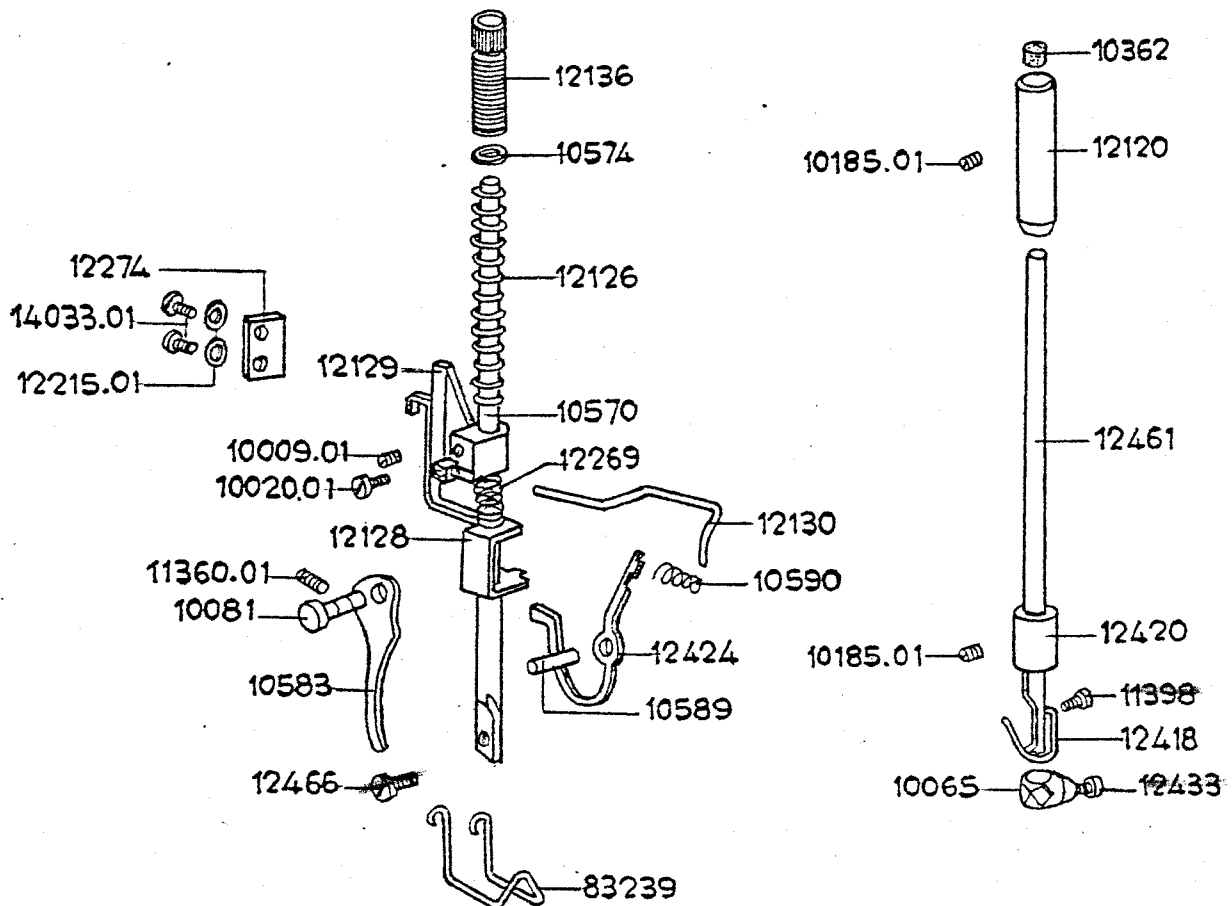
MODELOS 175-300 2

10054.01



MODELOS 175-300

3

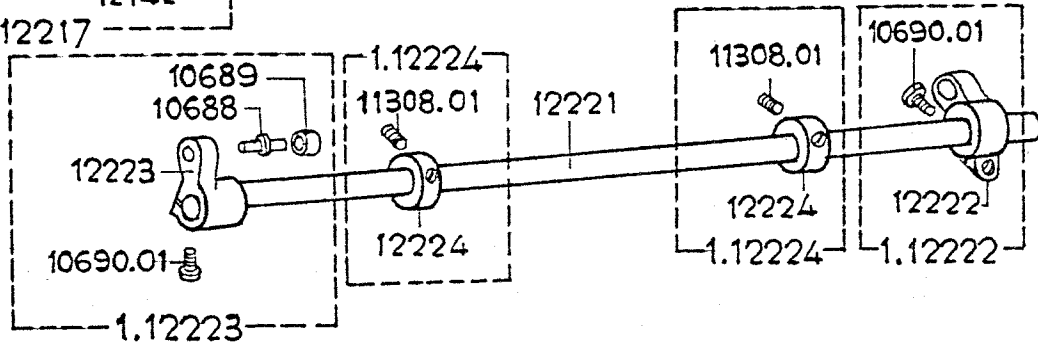
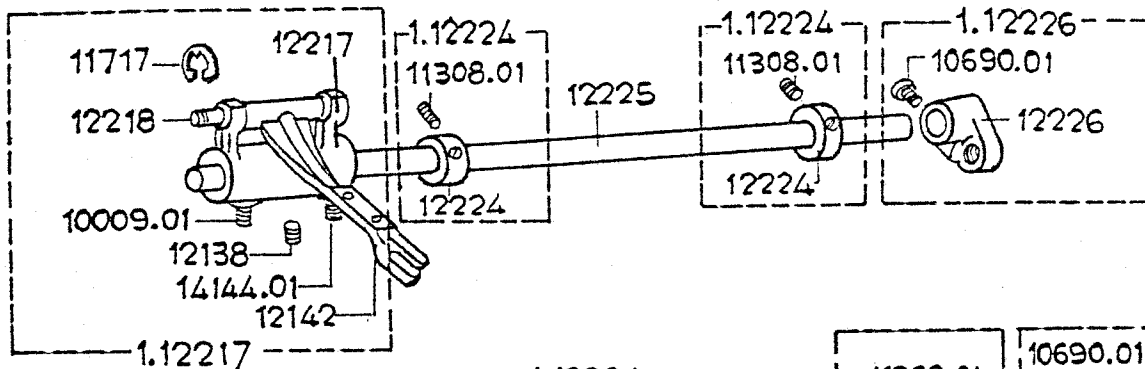


From the library of: Superior Sewing Machine & Supply LLC

MODELOS 175-300

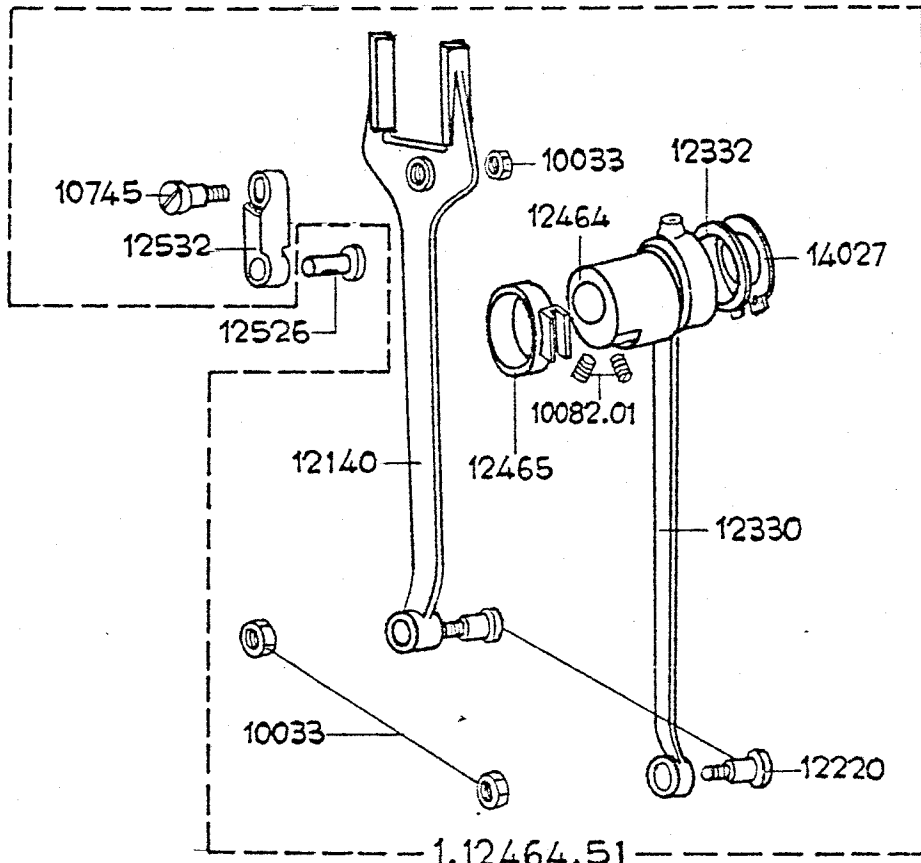
4

10143.01 NO



|         |         |  |  |  |  |  |
|---------|---------|--|--|--|--|--|
| MODELOS | 175-300 |  |  |  |  |  |
|---------|---------|--|--|--|--|--|

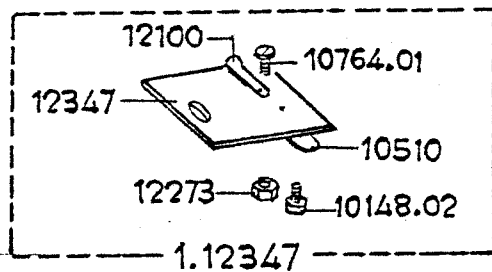
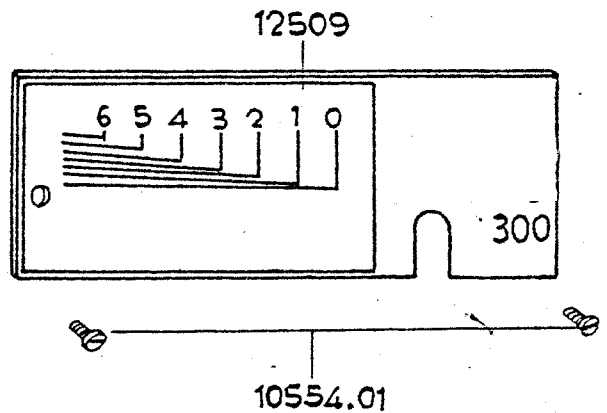
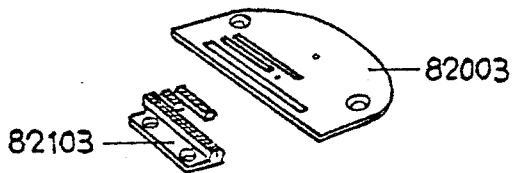
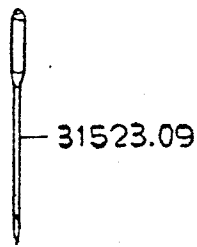
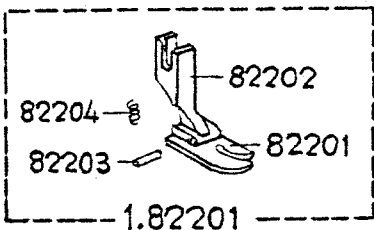
6



|         |         |  |  |  |  |  |
|---------|---------|--|--|--|--|--|
| MODELOS | 175-300 |  |  |  |  |  |
|---------|---------|--|--|--|--|--|

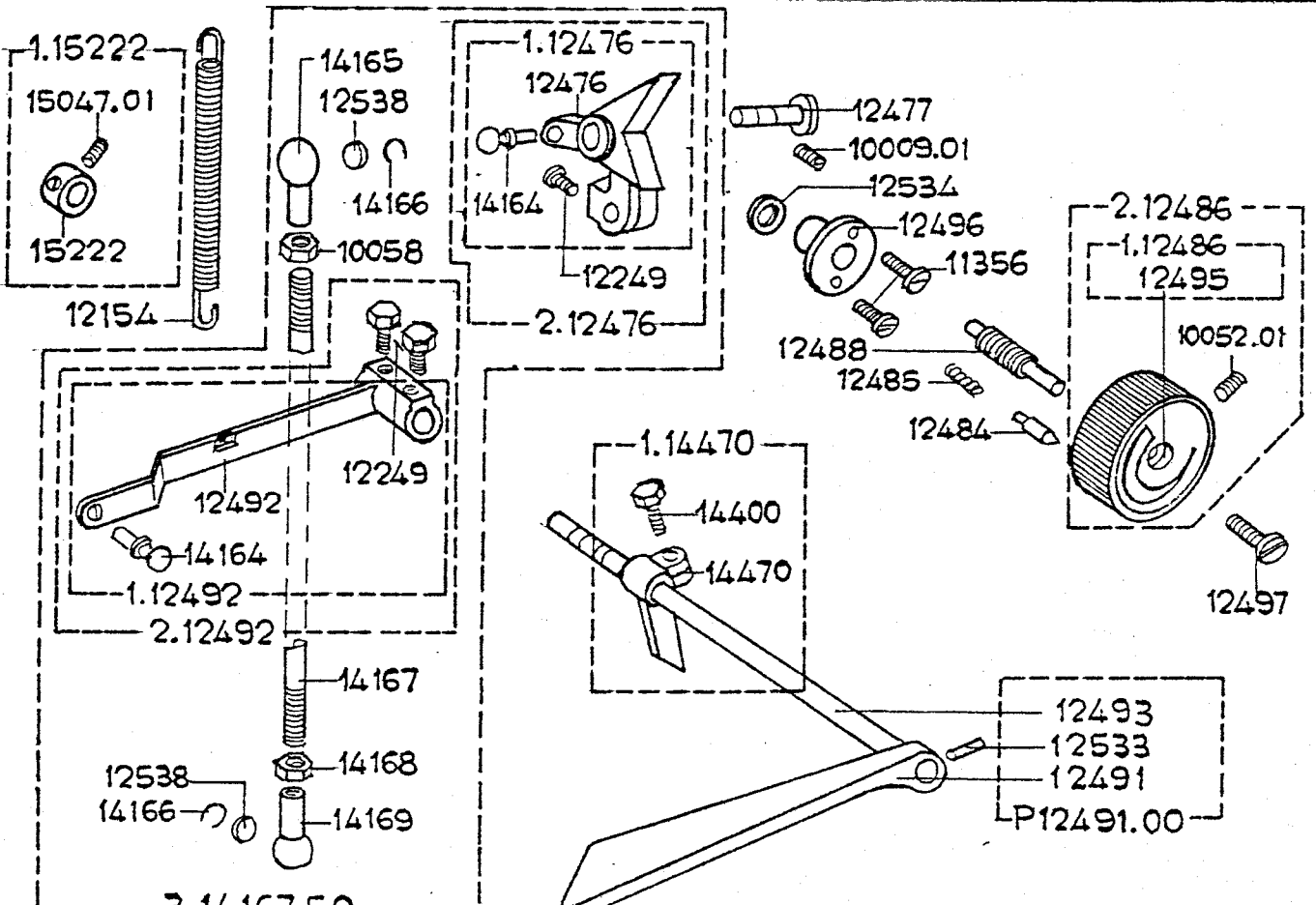
From the library of: Superior Sewing Machine & Supply LLC

5



MODELOS 175-300

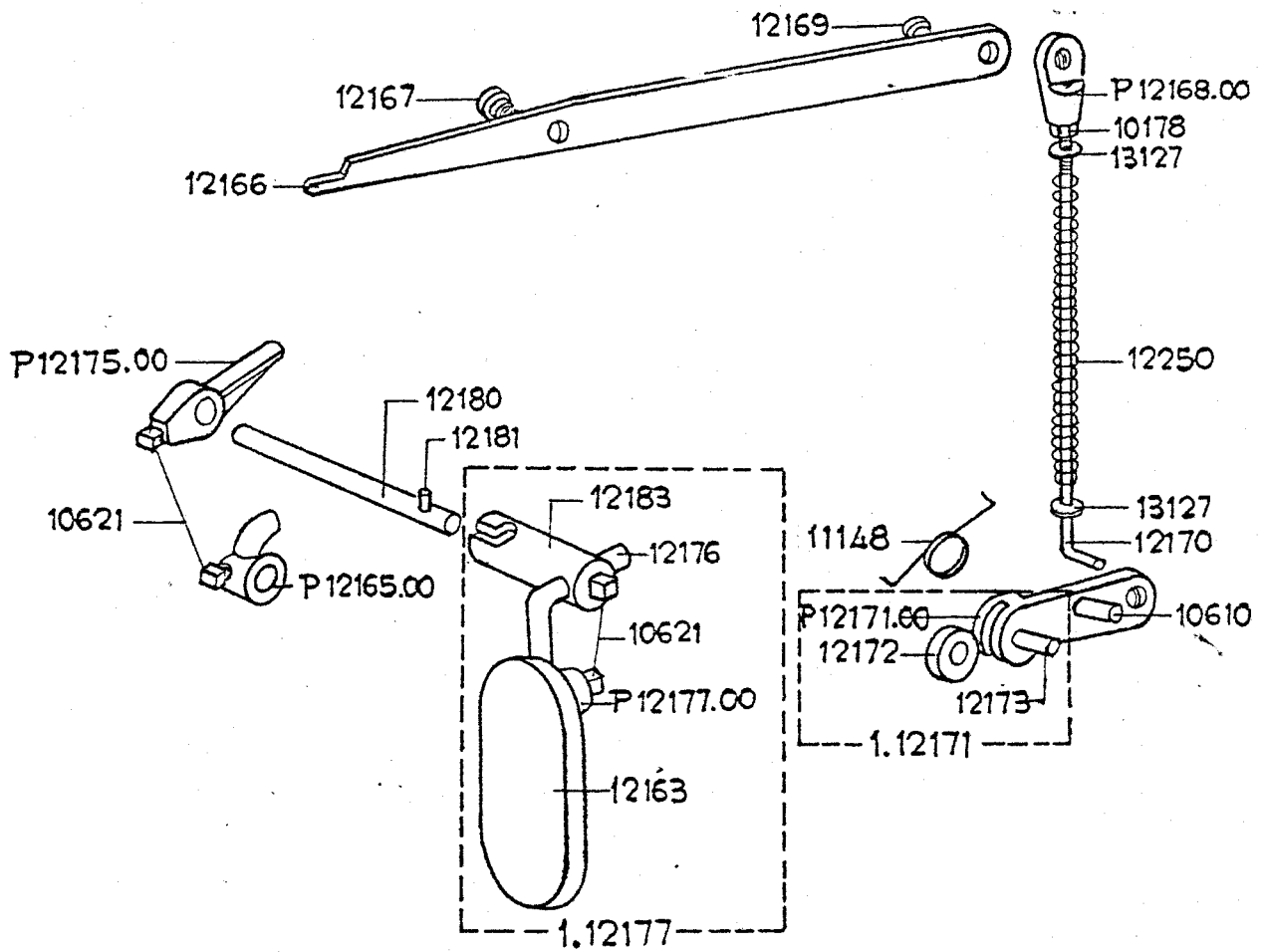
7



From the library of: Superior Sewing Machine & Supply LLC

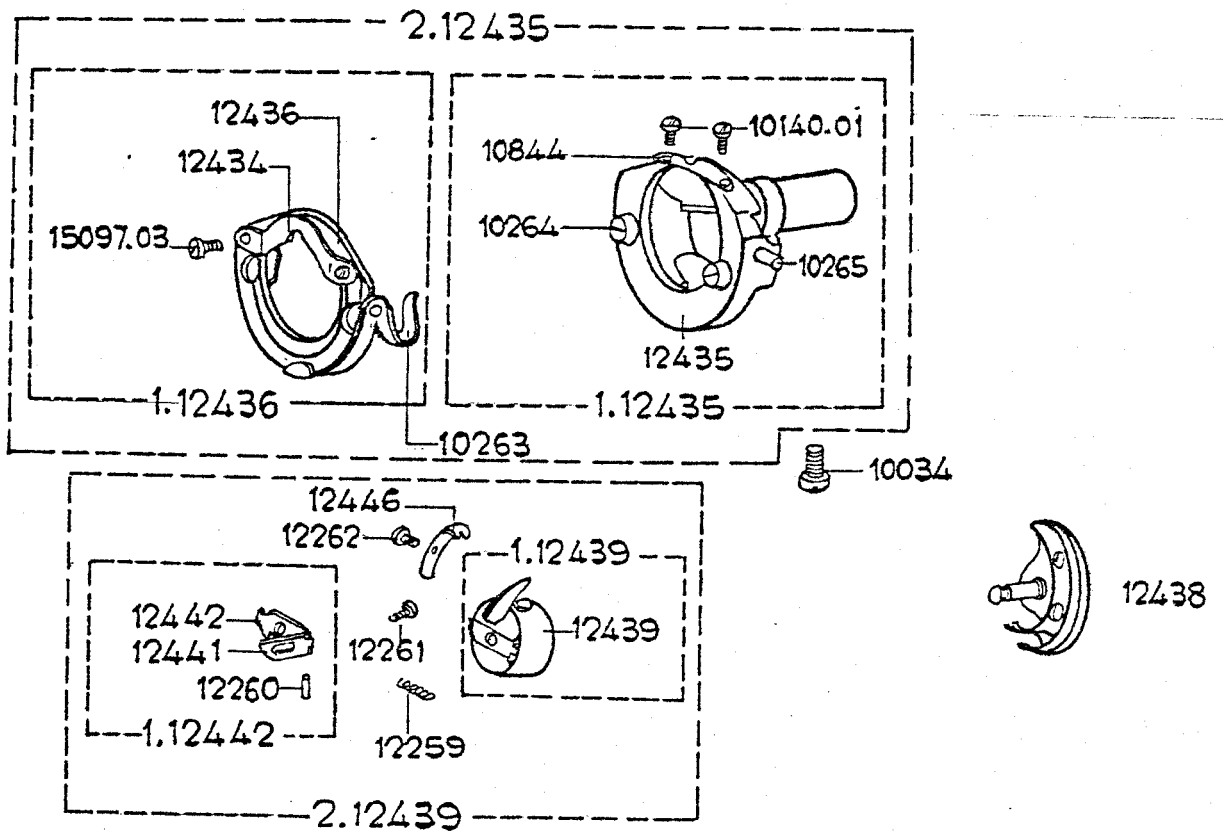
MODELOS 175-300

8



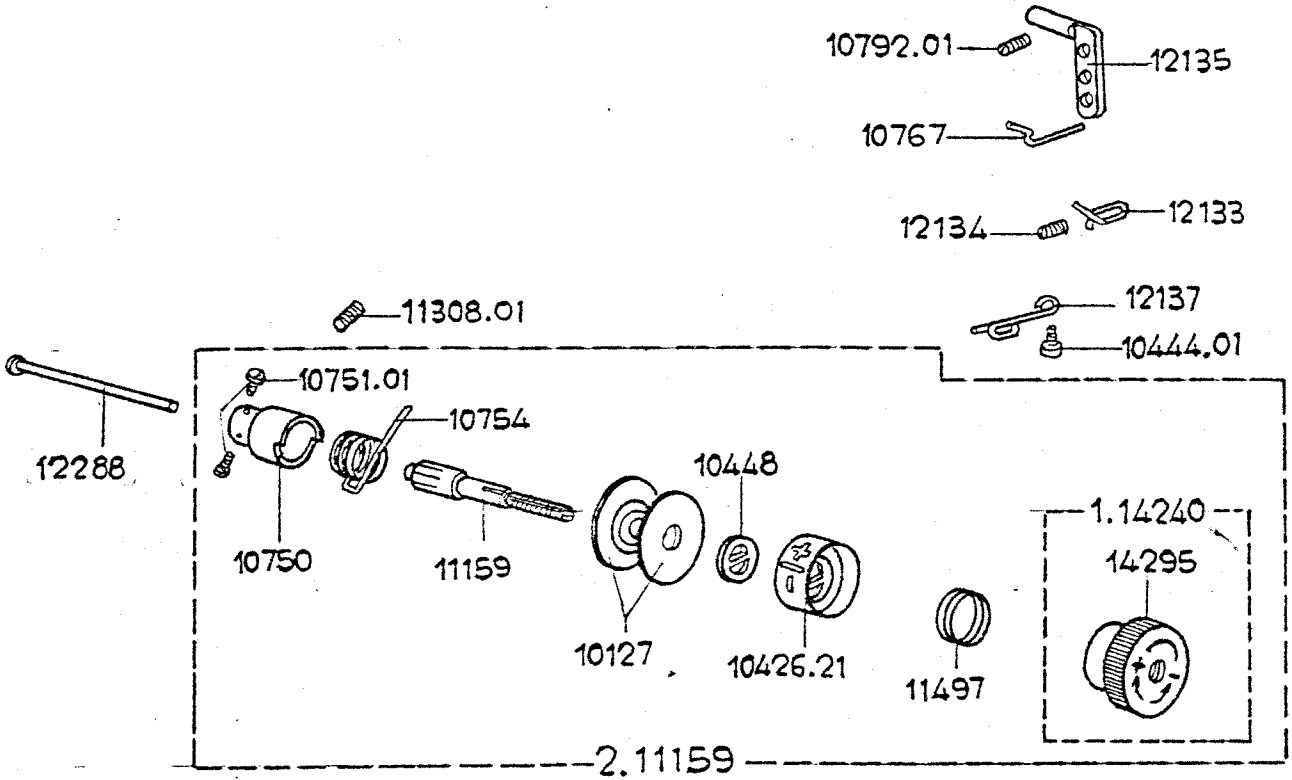
MODELOS 175-300

10



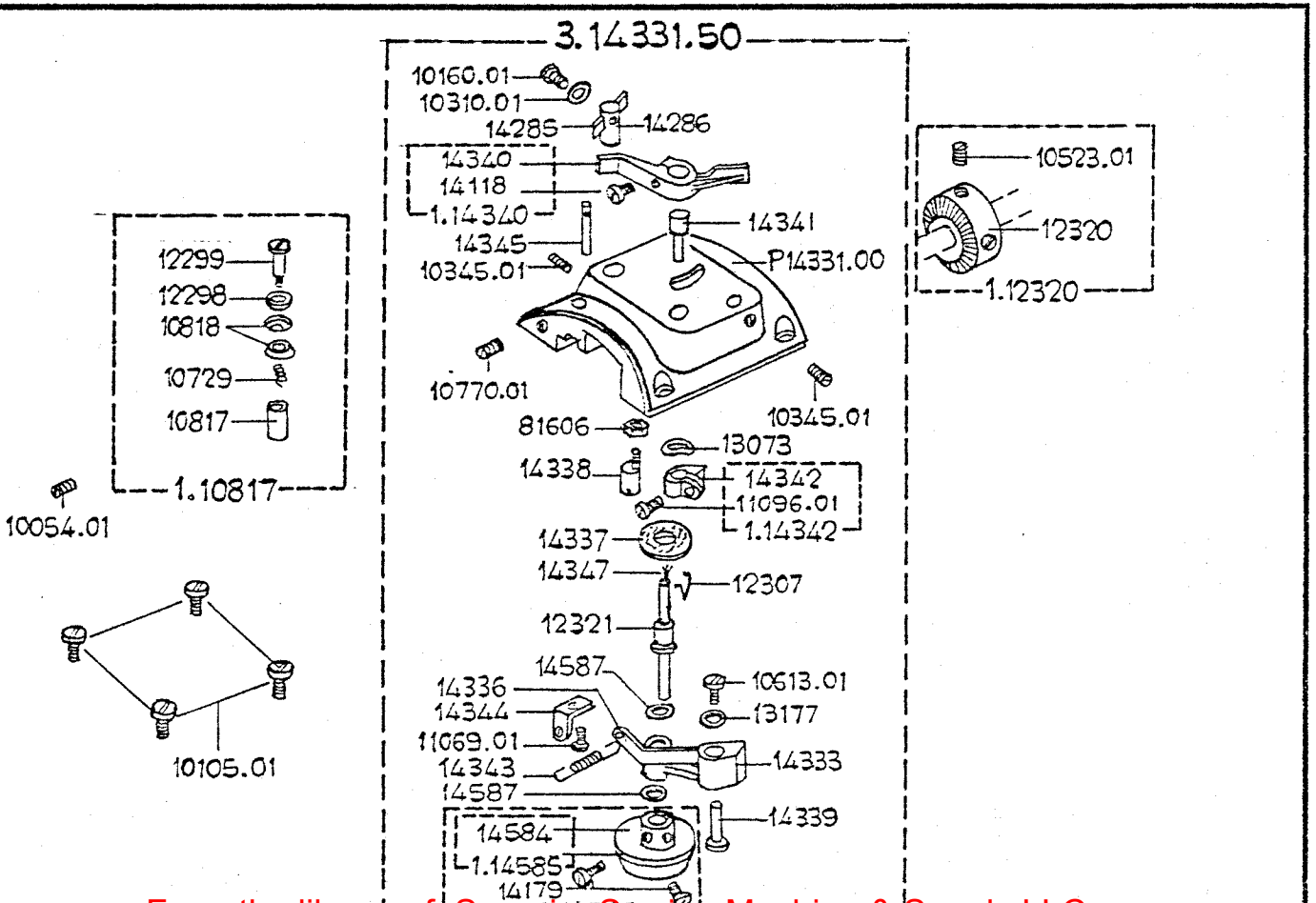
MODELOS 175-300

9



MODELOS 175-300

11



From the library of Superior Sewing Machine & Supply LLC

MODELOS 175-300

12