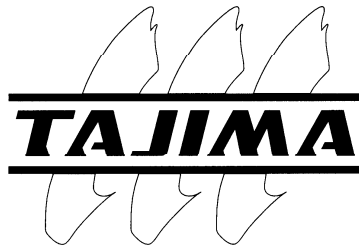


# PARTS LIST

# CYLINDRICAL FRAME



P-CY01-E  
(9910)

# Table of Contents

---

- CYLINDRICAL FRAME BASE (FOR TME-DC, TMFD-C, TMFXIII-C)..... *CY-1*
- CYLINDRICAL FRAME BASE (FOR TMFXII-C)..... *CY-2*
- CYLINDRICAL FRAME BASE (FOR TMEX-C)..... *CY-3*
- BASE FRAME..... *CY-4*
- CLAMP-TYPE CYLINDRICAL FRAME..... *CY-5*
- CLIP-TYPE CYLINDRICAL FRAME..... *CY-6*
- SETTING FRAME..... *CY-7*
- BED..... *CY-8*

**[Explanation of Marks #'s and \*'s at End of Part No.1]**

◆Please specify, in the following manner, your machine model,manufacturing number and embroidery space when you order us with the parts having \*\*\*\* at the end of the part No.:

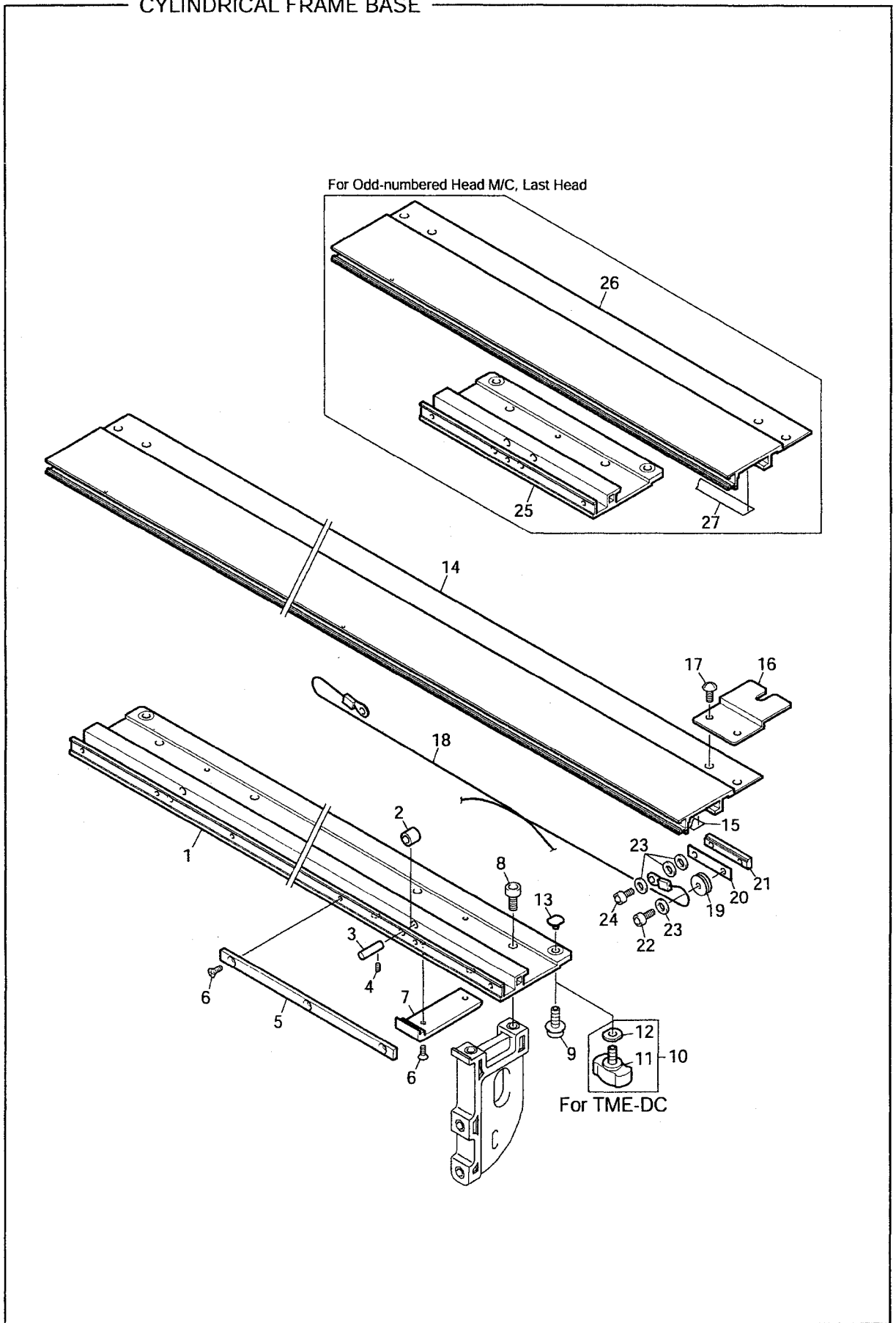
<b>Ex.</b>	TME-DC915	(360X360)S	No.01234
	[Model]	[Emb. Space]	[Mfg. No.]

◆Please specify the number of needles on your machine's head in your parts order by changing the marks #### into one of the 4-digit numbers below:

<b>Ex.</b>	The part Number, FN012345####	
	4-digit Numbers	Machine Type
	0300.....	3-needle machine
	0600.....	6-needle machine
	0900.....	9-needle machine
	1200.....	12-needle machine
	1500.....	15-needle machine

CY-1

CYLINDRICAL FRAME BASE



(CG10)

# CYLINDRICAL FRAME BASE

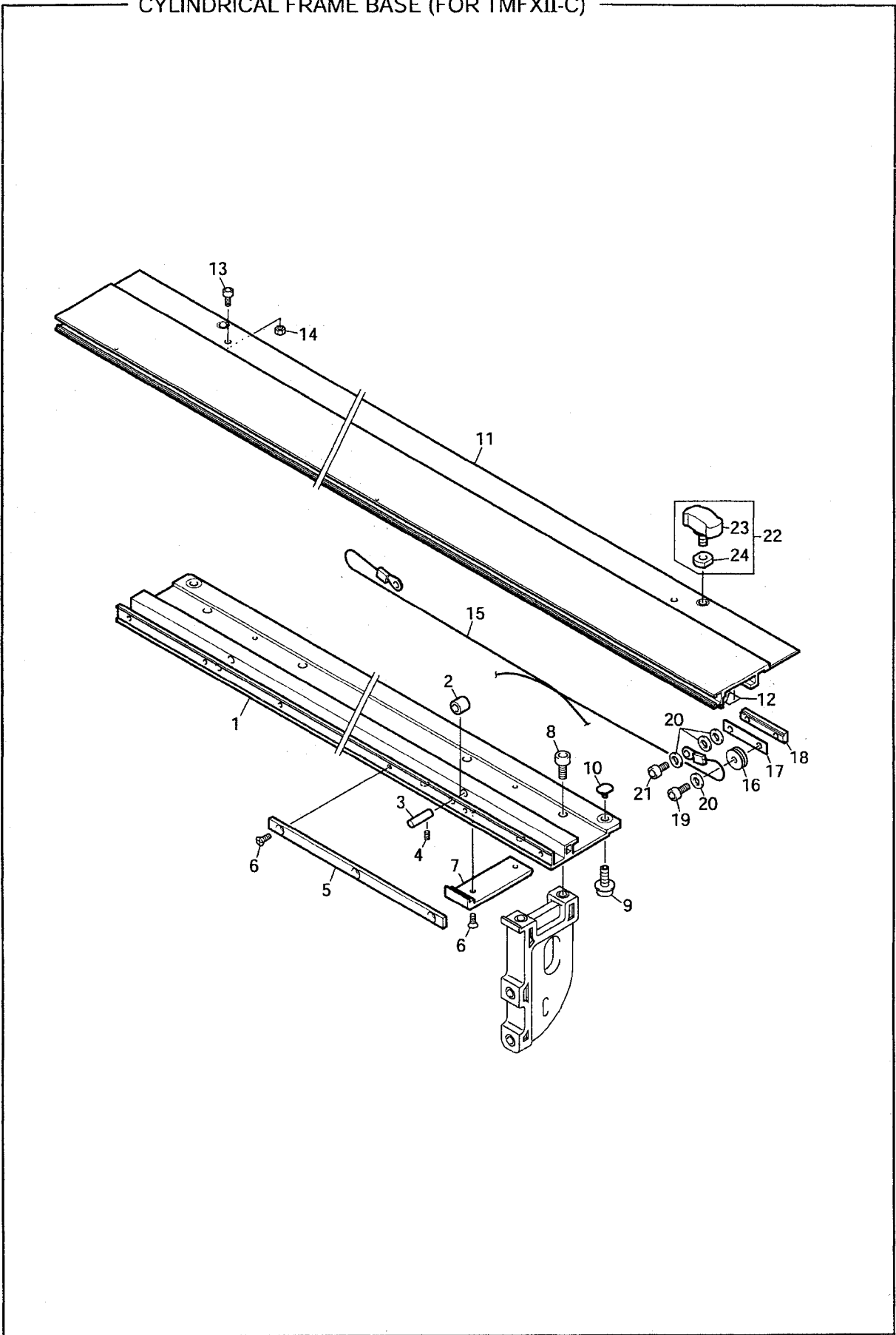
CY-1

Ref.No.	Description	Part No.	Remark
1	Cylindrical Frame Base	C9031700****	
2	Needle Bearing	BPTLA5920000	
3	Bearing Pin	WH0A04000000	
4	Hexagon Socket Head Set Screw	SS8204060TNO	M4*6
5	Spacer	WH0A03000000	
6	Countersunk Head Screw	SS1103050SDO	M3*5
7	Skid Plate	WH0A09000000	
8	Hexagon Socket Head Cap Screw	SS6205120TNO	M5*12
9	Cylindrical Frame Fixing Screw	C90033000000	
10	Frame Set Screw B Set	WH0A10S10000	
11	Frame Set Screw B	WH0A10010000	
12	Set Screw Spacer A	WH0A12000000	
13	Presser Screw	GS0105000000	
14	Slide Angle	WH0A0200****	
14	Slide Angle	C90322000000	For X-emb. Space 275mm
15	Rail Plate	WH0A0600****	
16	Connecting Plate	WH0A11000000	
17	Truss Head Screw	SS0104060SDO	M4*6
18	Drive Wire	C90015010000	
19	Wire Guide Ring	WH0A05000000	
20	Guide Plate	WH0125000000	
21	Slide Nut	WH0127010000	
22	Hexagon Socket Head Cap Screw	SS6204120TNO	M4*12
23	Plain Washer	WSP04A008SDO	M4*10*0.8t
24	Hexagon Socket Head Cap Screw	SS6204080TNO	M4*8
25	Cylindrical Frame Base	C90025000000	
26	Slide Angle	WH0A16000000	
27	Rail Plate	WH0A17000000	
28			
29			
30			
31			
32			
33			
34			
35			
36			
37			
38			
39			
40			
41			
42			
43			
44			
45			
46			
47			
48			
49			

Note: As for parts with marks # or \*, please follow our instructions on Table of Contents in your parts order.

(CG10)

CYLINDRICAL FRAME BASE (FOR TMFXII-C)



# CYLINDRICAL FRAME BASE (FOR TMFXII-C)

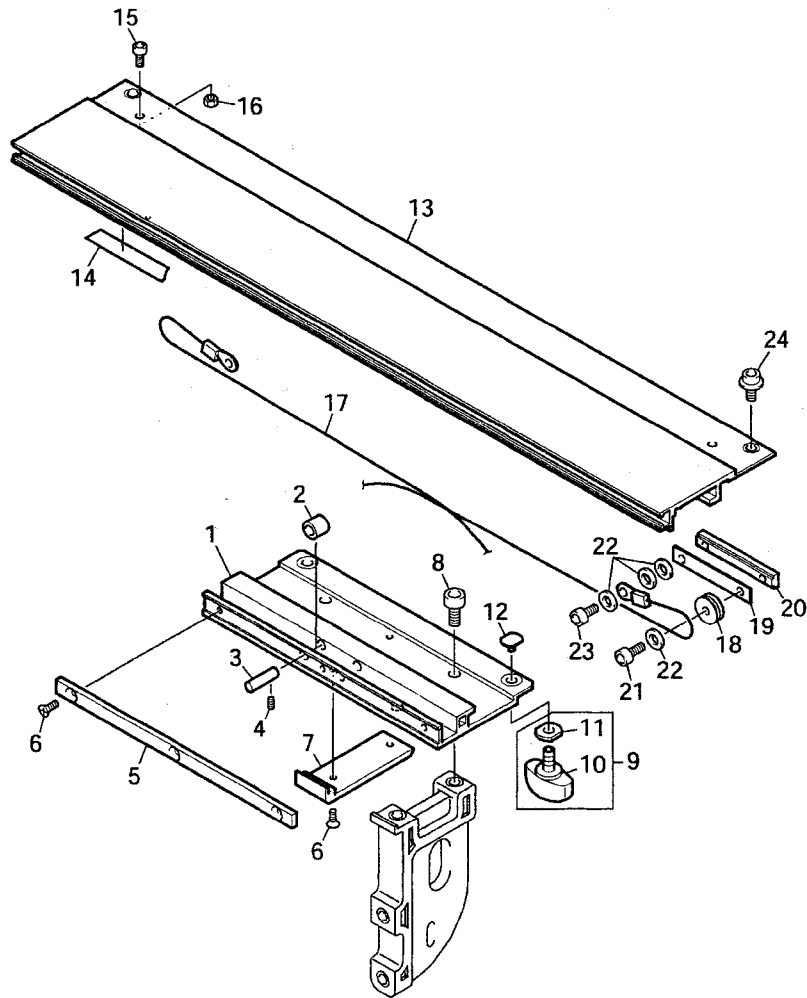
CY-2

Ref.No.	Description	Part No.	Remark
1	Cylindrical Frame Base	C90025000000	For 1-Head M/C
1	Cylindrical Frame Base	C90317000500	For 2-Head M/C
1	Cylindrical Frame Base	C9031000****	For 4, 6-Head M/C
2	Needle Bearing	BPTLA59Z0000	
3	Bearing Pin	WH0A04000000	
4	Hexagon Socket Head Set Screw	SS8204060TNO	M4*6
5	Spacer	WH0A03000000	
6	Countersunk Head Screw	SS1103050SD0	M3*5
7	Skid Plate	WH0A09000000	
8	Hexagon Socket Head Cap Screw	SS6205120TNO	M5*12
9	Cylindrical Frame Fixing Screw	C90033000000	
10	Presser Screw	GS0105000000	
11	Slide Angle	WH053000****	
12	Rail Plate	WH0A17000000	For 1-Head M/C
12	Rail Plate	WH0A06000500	For 2-Head M/C
12	Rail Plate	WH053300****	For 4, 6-Head M/C
13	Hexagon Socket Head Cap Screw	SS6204050TDO	M4*5
14	Hexagon Nut	SSN004SD0000	M4 Type 1
15	Drive Wire	C90015010000	
16	Wire Guide Ring	WH0A05000000	
17	Guide Plate	WH0125000000	
18	Slide Nut	WH0127010000	
19	Hexagon Socket Head Cap Screw	SS6204120TNO	M4*12
20	Plain Washer	WSP04A008SD0	M4*10*0.8t
21	Hexagon Socket Head Cap Screw	SS6204080TNO	M4*8
22	Frame Set Screw C Set	WH0531010000	
23	Frame Set Screw B	WH0A10010000	
24	Set Screw Spacer B	WH0534000000	
25			
26			
27			
28			
29			
30			
31			
32			
33			
34			
35			
36			
37			
38			
39			
40			
41			
42			
43			
44			
45			
46			

Note: As for parts with marks # or \*, please follow our instructions on Table of Contents in your parts order.

(CG10)

CYLINDRICAL FRAME BASE (FOR TMEX-C)



# CYLINDRICAL FRAME (FOR TMEX-C)

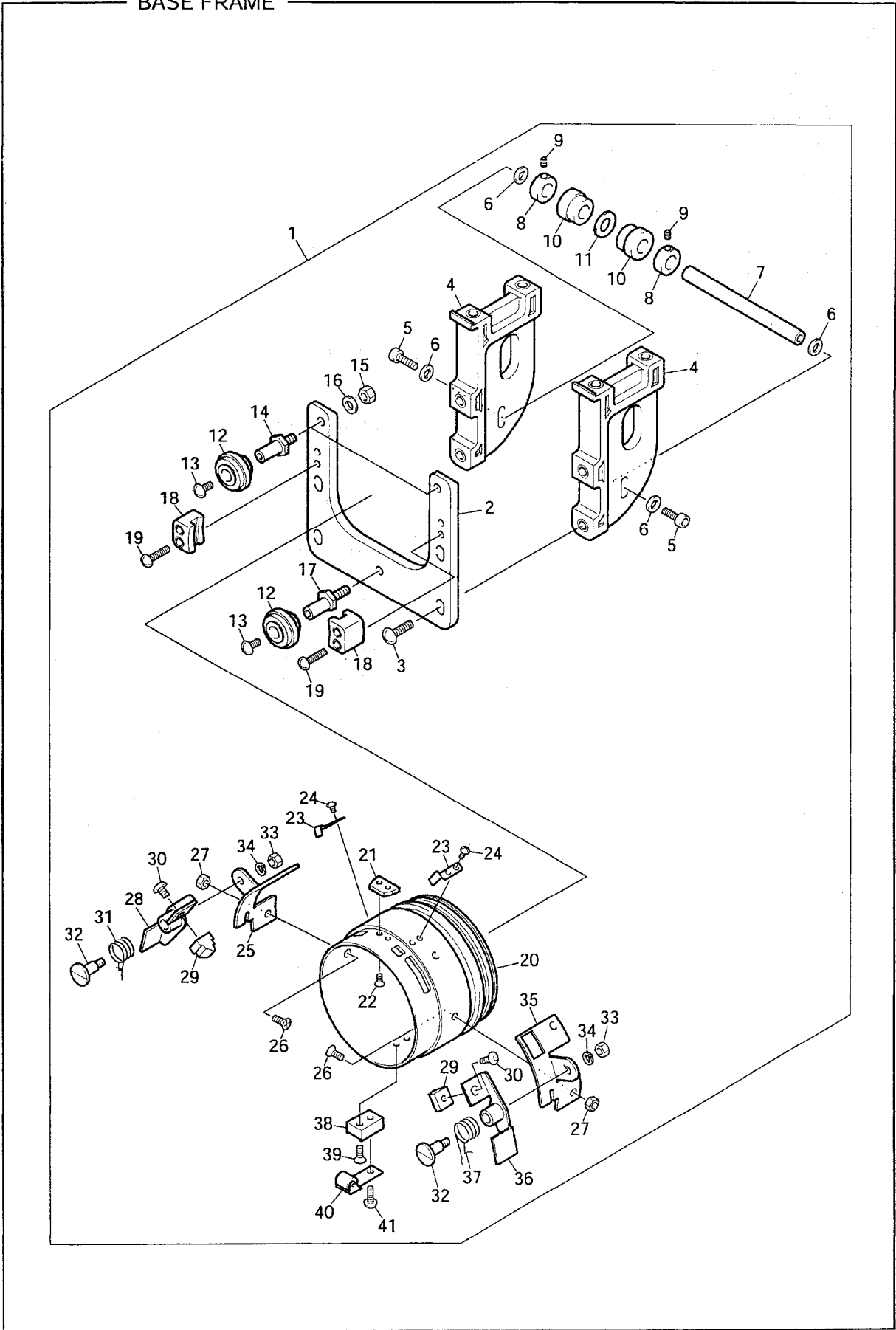
CY-3

Ref.No.	Description	Part No.	Remark
1	Cylindrical Frame Base	C90311000000	
2	Needle Bearing	BPTLA59Z0000	
3	Bearing Pin	WH0A04000000	
4	Hexagon Socket Head Set Screw	SS8204060TNO	M4*6
5	Spacer	WH0A03000000	
6	Countersunk Head Screw	SS1103050SDO	M3*5
7	Skid Plate	WH0A09000000	
8	Hexagon Socket Head Cap Screw	SS6205120TNO	M5*12
9	Frame Set Screw D Set	EC0210000000	
10	Frame Set Screw B	WH0A10010000	
11	Set Screw Spacer	EC0211000000	
12	Presser Screw	GS0105000000	
13	Slide Angle	EC0207000000	
13	Slide Angle	EC0N03000000	For TMEX-C101
14	Rail Plate	WH0A17000000	
15	Hexagon Socket Head Cap Screw	SS6204050TDO	M4*5
16	Hexagon Nut	SSN004SD0000	M4 Type 1
17	Drive Wire	C90015010000	
18	Wire Guide Ring	WH0A05000000	
19	Guide Plate	WH0125000000	
20	Slide Nut	WH0127010000	
21	Hexagon Socket Head Cap Screw	SS6204120TNO	M4*12
22	Plain Washer	WSP04A008SDO	M4*10*0.8t
23	Hexagon Socket Head Cap Screw	SS6204080TNO	M4*8
24	Hexagon Socket Head Flange Screw	WH0515000000	
25			
26			
27			
28			
29			
30			
31			
32			
33			
34			
35			
36			
37			
38			
39			
40			
41			
42			
43			
44			
45			
46			
47			
48			
49			

Note: As for parts with marks # or \*, please follow our instructions on Table of Contents in your parts order.

(CG10)





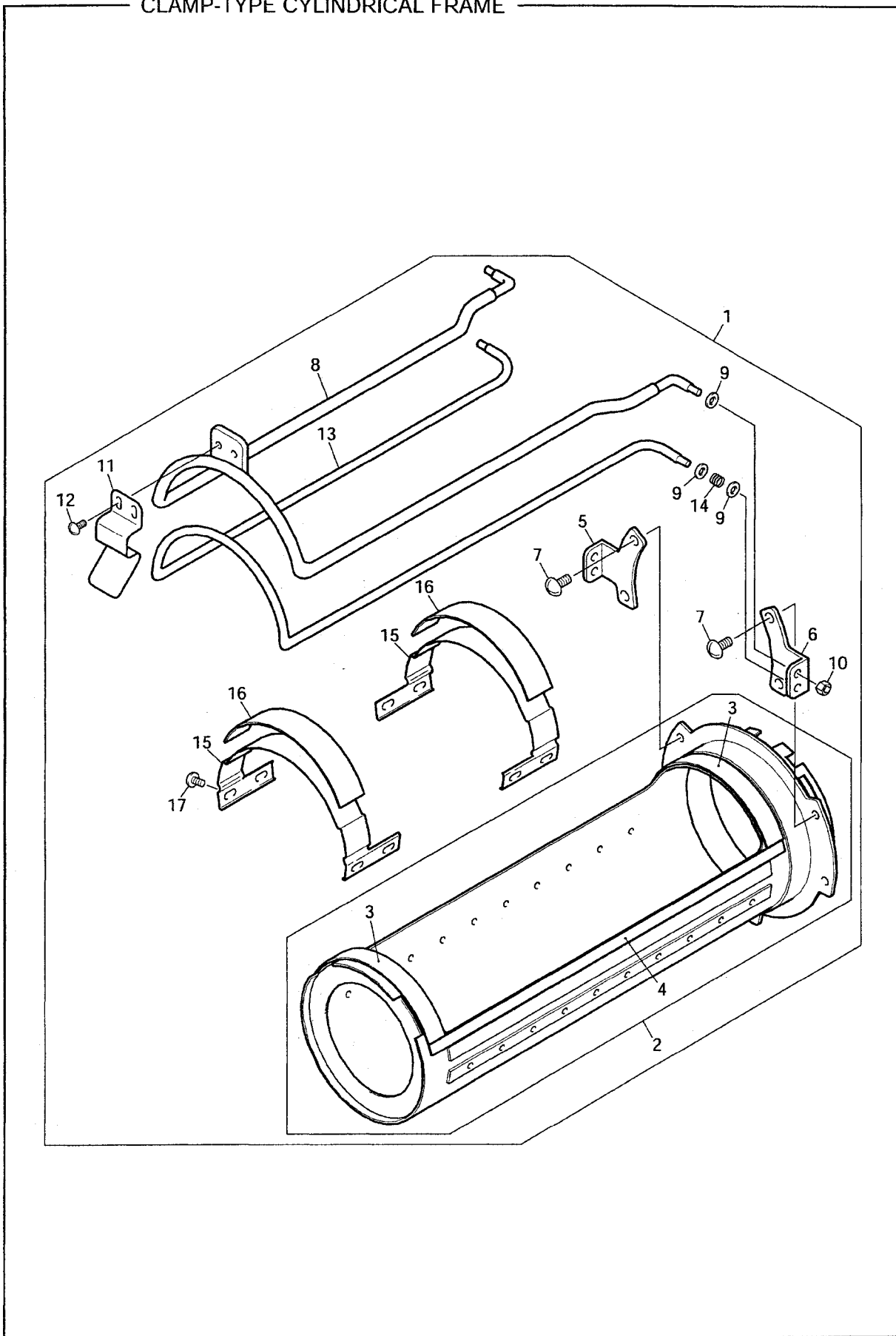
# BASE FRAME

CY-4

Ref.No.	Description	Part No.	Remark
1	Base Frame Complete Set	HFU020000076	
2	Drive Base	C9001800000	
3	Truss Head Screw	SS0105150SD0	M5*15
4	Base Bracket	C9001900000	
5	Hexagon Socket Head Cap Screw	SS6204180TN0	M4*18
6	Plain Washer	WSP04C010SC0	M4*12*1.0t
7	Base Holder Shaft	C9000600000	
8	8mm Dia. Collar	WH0231000000	
9	Hexagon Socket Head Set Screw	SS8204040TN0	M4*4
10	Base Holder Roller	EC0G19010000	
11	Liner Plate	EF0709200000	
12	Guide Roller C	C9000500000	
13	Truss Head Screw	SS0104060MZ0	M4*6
14	Guide Pin	C9000900000	
15	Hexagon Nut	SSN205SC0000	M5 Type 3
16	Plain Washer	WSP05A008SC0	M5*10*0.8t
17	Eccentric Guide Pin	WH0219000000	
18	Ring Guide	C9000800000	
19	Pan Head Screw	SS4104200SD0	M4*20
20	Drive Ring	C9002300000	
21	Center Block	C9001700000	
22	Round Countersunk Head Screw	SMC5000535CL	9/64*40*3.5
23	Presser Bar Spring	C9001600000	
24	Pan Head Screw	SS4103040SD0	M3*4
25	Lever Bracket L	C9002000000	
26	Countersunk Head Screw	SS1104080SD0	M4*8
27	Hexagon Nut	SSN204SD0000	M4 Type 3
28	Releasing Lever L	WH0201000000	
29	Lock Pin	WH0207000000	
30	Hexagon Socket Head Button Screw	SS3204060SC0	M4*6
31	Lever Spring L	WH0224000000	
32	Lever Pin	WH0229000000	
33	Hexagon Nut	SSN004SD0000	M4
34	Spring Washer	WSS040000KC0	M4
35	Lever Bracket R	C9002100000	
36	Releasing Lever R	WH0202000000	
37	Lever Spring R	WH0225000000	
38	Roller Base	C9001000000	
39	Countersunk Head Screw	SS1103080SD0	M3*8
40	Base Frame Presser Roller	WH0232000000	
41	Truss Head Screw	SS0103100SD0	M3*10
42			
43			
44			
45			
46			
47			
48			
49			
50			

Note: As for parts with marks # or \*, please follow our instructions on Table of Contents in your parts order.

(CG10)



# CLAMP-TYPE CYLINDRICAL FRAME

CY-5

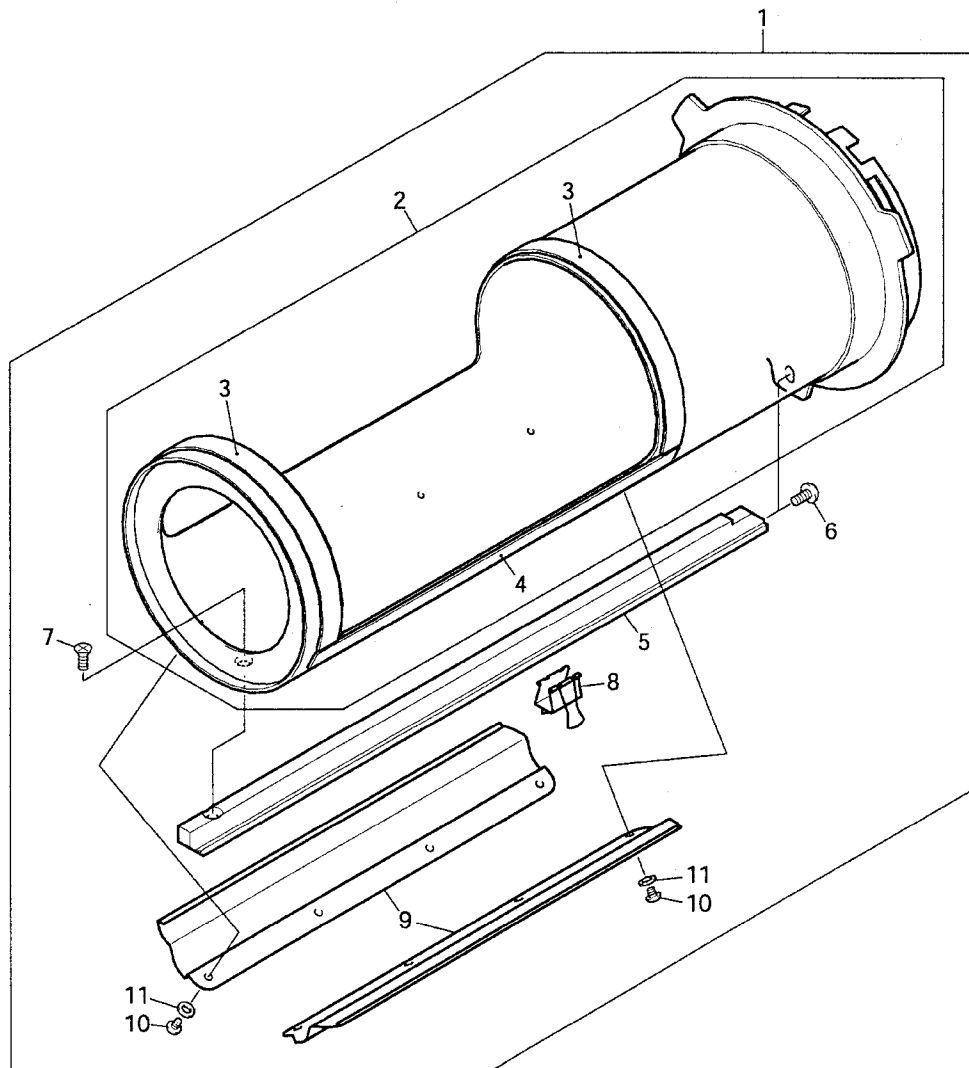
Ref.No.	Description	Part No.	Remark
1	Clamp-type Cylindrical Frame	HFU018000076	
2	Base Frame	C90314010000	
3	Rubber A	C90026000000	
4	Rubber B	C90314200000	
5	Lid Frame Bracket L	C90013L00000	
6	Lid Frame Bracket R	C90013R00000	
7	Truss Head Screw	SS0104050SD0	M4*5
8	Lid Frame A	C90315000000	
9	Plain Washer	WSP048005SD0	M4*8*0.5t
10	Hexagon Nut	SSN204SD0000	M4 Type 3
11	Presser Fixture	C90014000000	
12	Truss Head Screw	SS0103050SD0	M3*5
13	Lid Frame B	C90316000000	
14	Holder Spring	C90028000000	
15	Middle Sub Frame	C90318010000	
16	Rubber Plate A	C90319000000	
17	Truss Head Screw	SS0103030SD0	M3*3
18			
19			
20			
21			
22			
23			
24			
25			
26			
27			
28			
29			
30			
31			
32			
33			
34			
35			
36			
37			
38			
39			
40			
41			
42			
43			
44			
45			
46			
47			
48			
49			
50			

Note: As for parts with marks # or \*, please follow our instructions on Table of Contents in your parts order.

(CG10)

CY-6

CLIP-TYPE CYLINDRICAL FRAME



(CG10)

# CLIP-TYPE CYLINDRICAL FRAME

CY-6

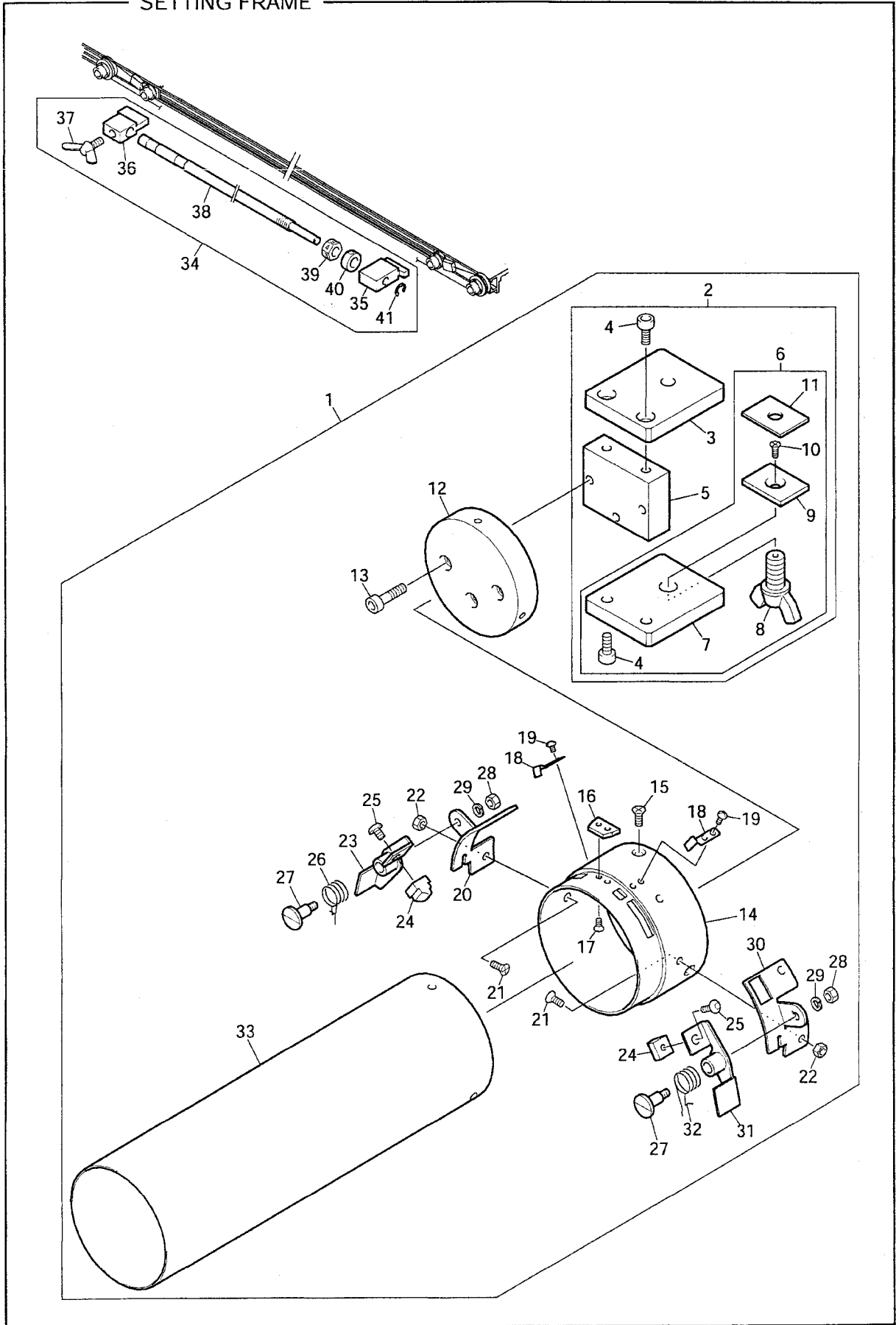
Ref.No.	Description	Part No.	Remark
1	Clip-type Cylindrical Frame	HFU01900076A	
2	Base Frame	C90306010000	
3	Rubber A	C90306200000	
4	Rubber B	C90306300000	
5	Clip Stopper	C90321000000	
6	Truss Head Screw	SS0103060SD0	M3*6
7	Countersunk Head Screw	SS1103060SD0	M3*6
8	Clip	BPC934000000	
9	Presser Plate	C90307000000	
10	Pan Head Screw	SS4102020SD0	M2*2
11	Plain Washer	WSP023505XZ0	M2*3.5*0.5t
12			
13			
14			
15			
16			
17			
18			
19			
20			
21			
22			
23			
24			
25			
26			
27			
28			
29			
30			
31			
32			
33			
34			
35			
36			
37			
38			
39			
40			
41			
42			
43			
44			
45			
46			
47			
48			
49			
50			

Note: As for parts with marks # or \*, please follow our instructions on Table of Contents in your parts order.

(CG10)

CY-7

SETTING FRAME



(CG10)

# SETTING FRAME

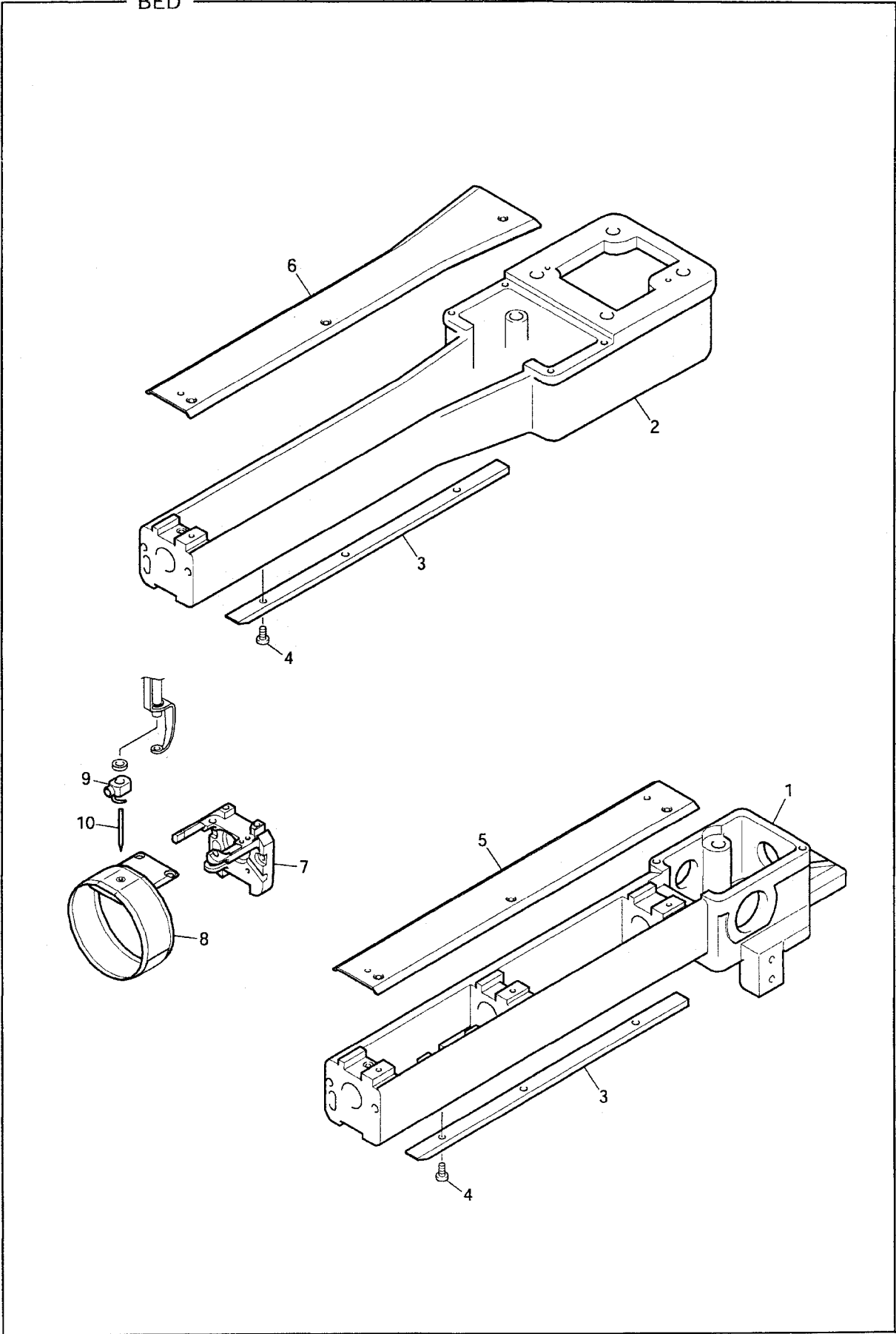
CY-7

Ref.No.	Description	Part No.	Remark
1	Gauge Frame Complete Set	UN3400C90A76	
2	Setting Frame Base Set	UN34050C0000	
3	Setting Frame Base A	C90101000000	
4	Hexagon Socket Head Cap Screw	SS6205120TN0	M5*12
5	Setting Frame Base B	HF0402040000	
6	Setting Frame Base C Set	WH0416S00000	
7	Setting Frame Base C	HF0403030000	
8	Wing Bolt	WH0415000000	
9	Table Patch Plate	WH0413000000	
10	Countersunk Head Screw	SS1103080SD0	M3*8
11	Patch Plate Rubber	WH0414000000	
12	Gauge Ring Lid	C90103000000	
13	Hexagon Socket Head Cap Screw	SS6205200TN0	M5*20
14	Gauge Ring A	C90104000000	
15	Countersunk Head Screw	SS1104120SD0	M4*12
16	Center Block	C90017000000	
17	Round Countersunk Head Screw	SMC5000535CL	9/64*40*3.5
18	Presser Bar Spring	C90016000000	
19	Truss Head Screw	SS0103040SD0	M3*4
20	Lever Bracket L	C90020000000	
21	Countersunk Head Screw	SS1104080MZ0	M4*8
22	Hexagon Nut	SSN204SD0000	M4 Type 3
23	Releasing Lever L	WH0201000000	
24	Lock Pin	WH0207000000	
25	Hexagon Socket Head Button Screw	SS3204060SC0	M4*6
26	Lever Spring L	WH0224000000	
27	Lever Pin	WH0229000000	
28	Hexagon Nut	SSN004SD0000	M4 Type 1
29	Spring Washer	WSS040000KCO	M4
30	Lever Bracket R	C90021000000	
31	Releasing Lever R	WH0202000000	
32	Lever Spring R	WH0225000000	
33	Gauge Ring B	C90309000000	
34	Wire Tension Gauge Complete Set	HFU015030000	
35	Tension Block A	WH0403000000	
36	Tension Block B	WH0404010000	
37	Wing Bolt	BFBOLTM06X10	
38	Tension Shaft	C90106000000	
39	Tension Nut	WH0406000000	
40	8mm Dia. Collar	WH0231000000	
41	E-ring	BPE500000000	
42			
43			
44			
45			
46			
47			
48			
49			
50			

Note: As for parts with marks # or \*, please follow our instructions on Table of Contents in your parts order.

(CG10)





# BED

CY-8

Ref.No.	Description	Part No.	Remark
1	Bed A	C90035A00000	Encoder not to be attached
1	Bed A	C9C035A00000	Encoder to be attached
1	Bed B	C90035B00000	For Jumbo Hook; Encoder not attached
1	Bed B	C9C035B00000	For Jumbo Hook; Encoder to be attached
2	Arm Bed	C90001000000	
2	Arm Bed	C9C001000000	For Jumbo Rotary Hook
3	Bed Rail	C90003000000	
4	Flat Fillister Head Screw	SM17017670CN	11/64*40*7
5	Bed Cover	C90313000000	
6	Bed Cover	C90002010000	
7	Needle Plate Bracket	C90004000000	
8	Needle Plate Set	C90031S00000	
9	Needle Clamp	C90029000000	
10	Needle	EF06400N1911	DB N19-11
11			
12			
13			
14			
15			
16			
17			
18			
19			
20			
21			
22			
23			
24			
25			
26			
27			
28			
29			
30			
31			
32			
33			
34			
35			
36			
37			
38			
39			
40			
41			
42			
43			
44			
45			
46			

Note: As for parts with marks # or \*, please follow our instructions on Table of Contents in your parts order.

(CG10)