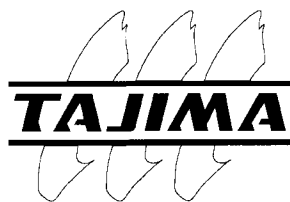


USER'S MANUAL
PARTS LIST
LAMÉ ATTACHMENT



O-RM01-E
(9911)

FOREWORD

This User's Manual and Parts List describes the using and setting methods for the lamé attachment.

Please read through this manual carefully and understand the contents before operating or setting the attachment.

The contents of this manual are largely divided into the following sections.

[IMPORTANT SAFETY INSTRUCTIONS]

[SETTING THE LAMÉ ATTACHMENT]

[EMBROIDERY USING LAMÉ FILM]

[PARTS LIST]

Always keep this manual at hand whenever you need.

If you do not use the lamé attachment, keep this manual for future use.

This manual may contain discrepancies in detailed information when compared with actual product due to differences in machine models for which the product is used and also continued research and improvements of the product.

If any question about the unit or contents of this manual arises, please consult your local TAJIMA distributor.


IMPORTANT SAFETY INSTRUCTIONS

Correct work is required for safe handling (using and setting) of the lamé attachment.

Please read the IMPORTANT SAFETY INSTRUCTIONS in this instruction manual and parts list carefully and do not attempt operation of the machine before you thoroughly understand the items written under IMPORTANT SAFETY INSTRUCTIONS.

Items which require your special attention on the using and setting of the lamé attachment are specified following the warning symbol and signal word. These items must be strictly observed to ensure safety during using and setting the attachment.

Signal word definition is given below.

 CAUTION
Indicates a potentially hazardous situation which, if not avoided, may result in minor or moderate injury (*1) or property damage.

*1: An injury that does not necessitate hospitalization or visit to a hospital over a long period.







: **Prohibited items**



: **Items that must be followed carefully to ensure safe operation.**

The information which gives details or supplements the explanation appears under the title **NOTE**.

 CAUTION
Before carrying out operation described in this manual, make sure turn the power switch OFF. 
If you attempt an operation with the power switch ON, the machine could operate unexpectedly and could cause injuries.

 CAUTION
Oily chips of lamé film may adhere to the ATH knife or the rotary hook. 
When cleaning the ATH device, make sure to completely remove lamé film chips.
Thread will not be trimmed correctly if lamé film chips remain on the ATH knife.

CONTENTS

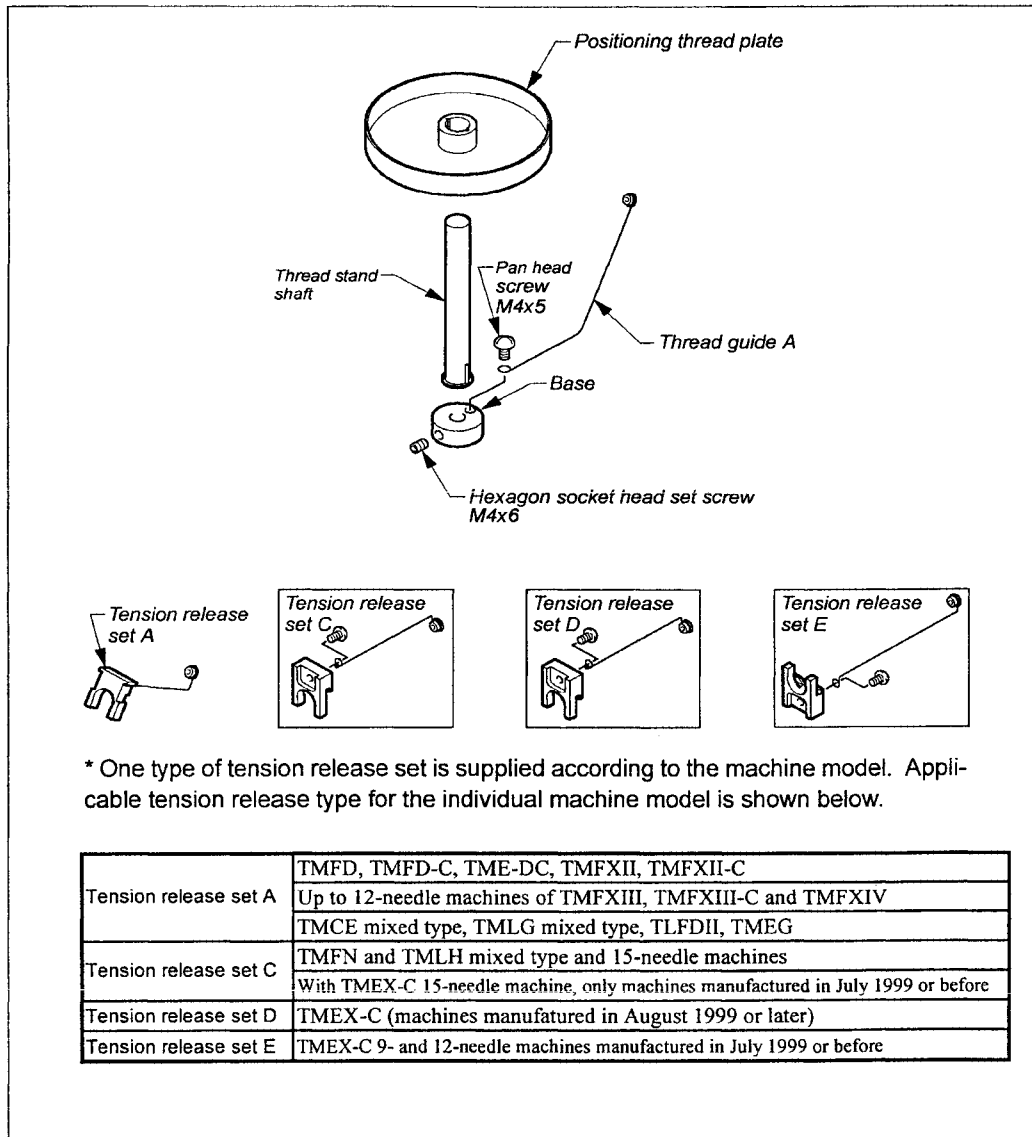
- FOREWORD.....i
- IMPORTANT SAFETY INSTRUCTIONS.....ii
- SETTING THE LAMÉ ATTACHMENT 1
 - 1. FUNCTIONS OF LAMÉ ATTACHMENT 1
 - 2. PARTS..... 1
 - 3. INSTALLING THE LAMÉ ATTACHMENT 2
 - 3-1. Attaching the Positioning Thread Plate 2
 - 3-2. Attaching the Tension Release Set 3
 - Attaching the Tension Release Set A 3
 - Attaching the Tension Release Sets C, D and E 4
 - 3-3. Attaching the Roller-type Middle Thread Guide Set 4
 - 4. SETTING LAMÉ FILM 5
 - 4-1. Tension Release Set A..... 6
 - 4-2. Tension Release Sets C, D and E..... 7
 - 5. ADJUSTING LAMÉ FILM TENSION 7
- EMBROIDERY USING LAMÉ FILM 8
 - 1. DESIGN DATA 8
 - 2. LAMÉ FILM AND 3-D EMBROIDERY 8
- PARTS LIST End of Volume

NOTICE FOR CHANGE OF CONTENTS IN USER'S MANUAL (2000.01)

We have improved the middle thread guide of the embroidery machine to be also used for lamé embroidery, therefore it is now not necessary to use special middle thread guide, etc., for exclusive use. Following the above-mentioned improvement, we have partially changed the contents of the user's manual as shown below. Please also refer to this notice when you execute lamé embroidery.

● **Page 1 Section 2 "PARTS"**

As it is unnecessary to use roller-type middle thread guide set and top cover, component parts of lamé attachment are shown below.



* One type of tension release set is supplied according to the machine model. Applicable tension release type for the individual machine model is shown below.

Tension release set A	TMFD, TMFD-C, TME-DC, TMFXII, TMFXII-C Up to 12-needle machines of TMFXIII, TMFXIII-C and TMFXIV TMCE mixed type, TMLG mixed type, TLFDI, TMEG
Tension release set C	TMFN and TMLH mixed type and 15-needle machines With TMEX-C 15-needle machine, only machines manufactured in July 1999 or before
Tension release set D	TMEX-C (machines manufactured in August 1999 or later)
Tension release set E	TMEX-C 9- and 12-needle machines manufactured in July 1999 or before

● **Page 4 Section 3-3 "Attaching the Roller-type Middle Thread Guide Set"**
This procedure is unnecessary. (Please proceed to next steps.)

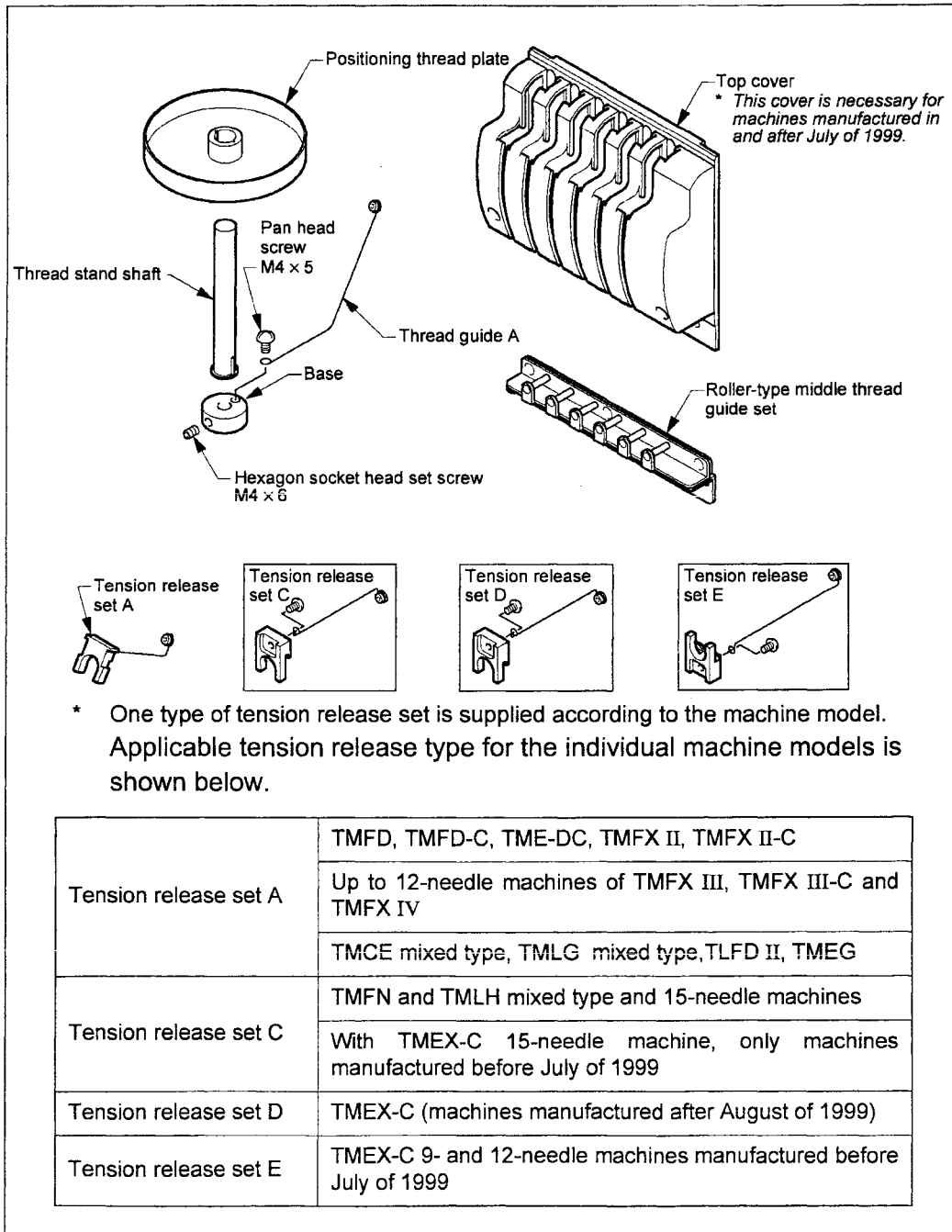
SETTING THE LAMÉ ATTACHMENT

1. FUNCTIONS OF LAMÉ ATTACHMENT

A lamé attachment is designed to perform embroidery using lamé film.

2. PARTS

Component parts of a lamé attachment are shown below.



3. INSTALLING THE LAMÉ ATTACHMENT

CAUTION

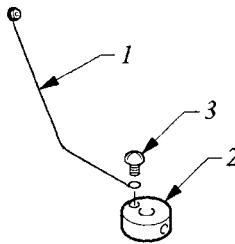
Do not ride on the table when installing the lamé attachment. Otherwise, the table may be bent.



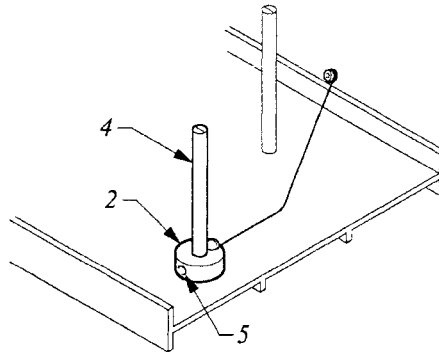
If you must ride on the table to perform the necessary work, mount the table support.

3-1. Attaching the Positioning Thread Plate

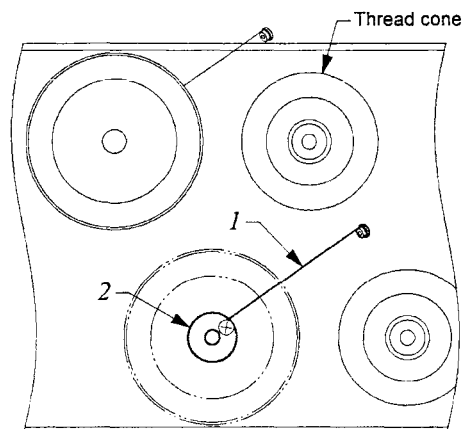
1. Attach the thread guide A (1) to the base (2) using pan head screw M4 × 5 (3).



2. Set the base (2) on the thread stand stud (4) of the thread stand plate and fix the base (2) by tightening the set screw (5) with the base (2) positioned at the lower end position.

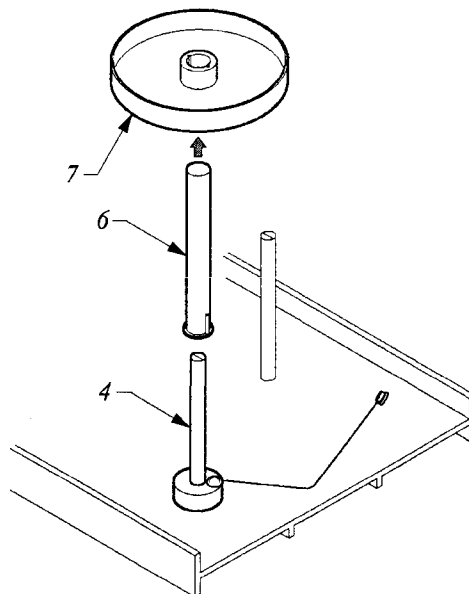


NOTE: Attach the base (2) in the direction so that the thread guide A (1) will not interfere with the adjacent thread cone. For example, the thread guide A (1) should be set in the rear right direction as shown below.



SETTING THE LAMÉ ATTACHMENT

3. After inserting the positioning thread plate (7) into the thread stand shaft (6), set them on the thread stand stud (4).



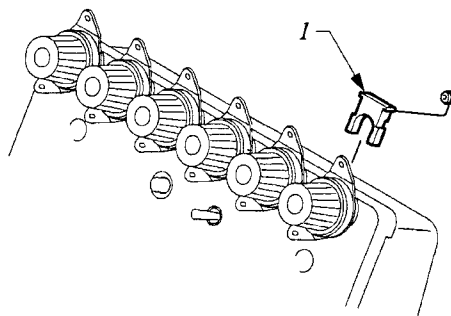
3-2. Attaching the Tension Release Set

The procedure for attaching the tension release set differs depending on the tension release set type.

- Tension release set A..... p.3
- Tension release sets C, D and E: p.4

3-2-1. Attaching the Tension Release Set A

Fit the tension release set A (1) to the neck of the No. 1 tension on the individual tension base.

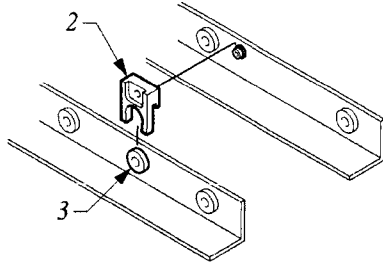


SETTING THE LAMÉ ATTACHMENT

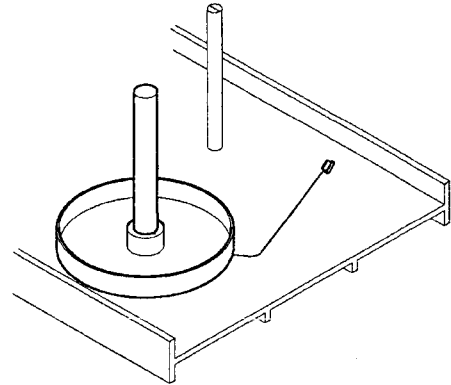
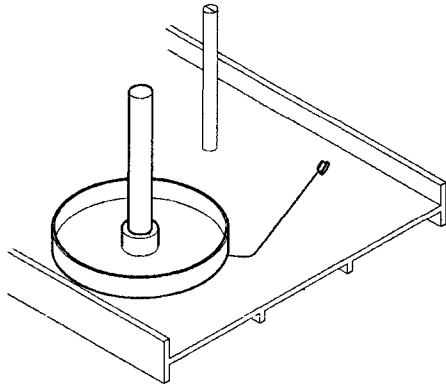
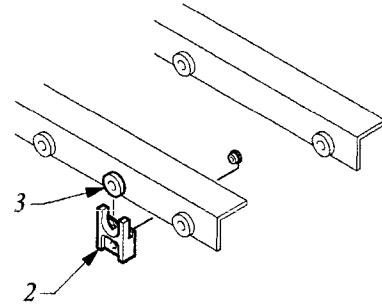
3-2-2. Attaching the Tension Release Sets C, D and E

Fit the thread release set C, D or E (2) to the thread guide (3) right above the corresponding thread stand section.

● Thread release set C and D



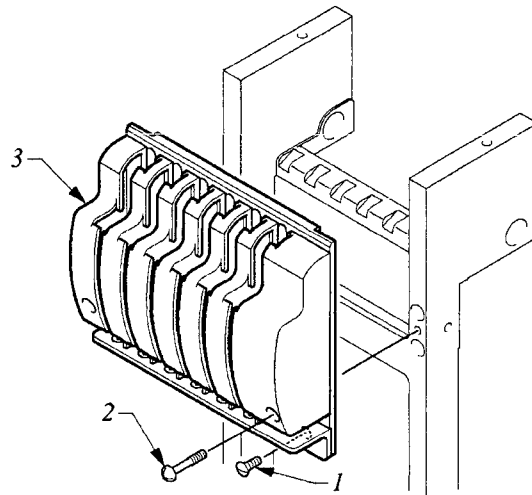
● Thread release set E



3-3. Attaching the Roller-type Middle Thread Guide Set

NOTE: The machines shipped before June of 1999 have a removable middle thread guide. Therefore, change only the middle thread guide for these machines by referring the procedure described below.

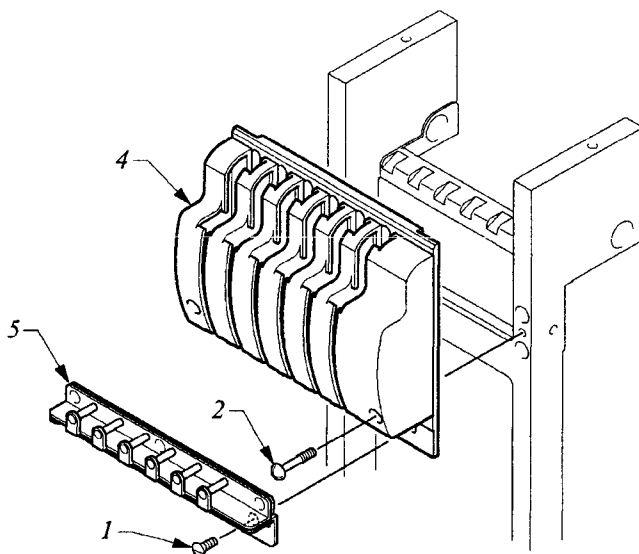
1. Remove the attaching screws (1).
2. After removing the attaching screws (2), detach the top cover (3).



SETTING THE LAMÉ ATTACHMENT

3. Attach the lamé attachment top cover (4) using the attaching screws (2) and attach the roller-type middle thread guide set (5) to it using the attaching screws (1).

NOTE: Use the attaching screws (1) and (2) removed in steps 1 and 2.



4. SETTING LAMÉ FILM

The procedure for setting lamé film differs depending on the tension release set type.

- Tension release set A..... p.6
- Tension release sets C, D and E: p.7

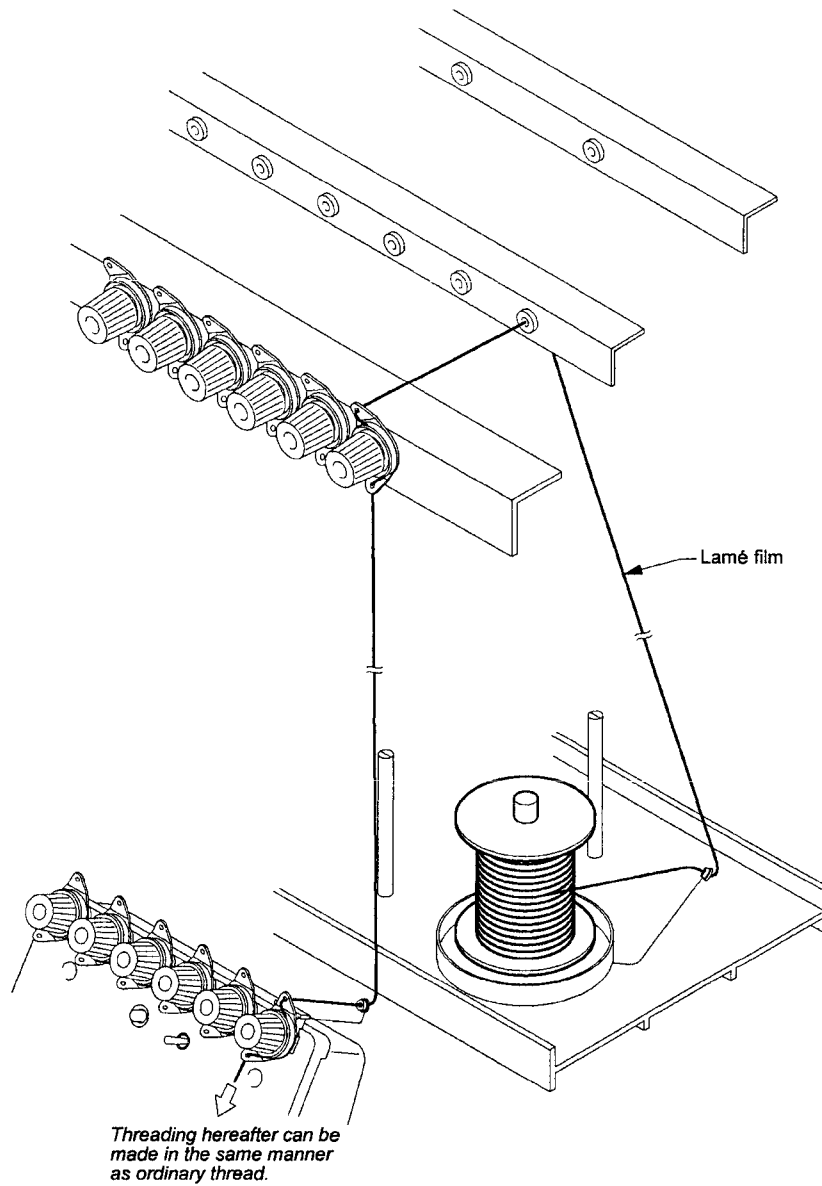
NOTE: Pay attention to the following points when unwinding lamé film.

- * Unwind lamé film gently. If the film is pulled forcibly, the positioning thread plate will turn excessively causing the film to be unwound too much. If the positioning thread plate turns excessively, stop it by hand.
- * When threading lamé film through the needle eye, pull the film gently between the thread guide and the individual thread guide and, also, at the needle. If the film is pulled only at the needle, the film will be stretched to be cut or making threading difficult.

SETTING THE LAMÉ ATTACHMENT

4-1. Tension Release Set A

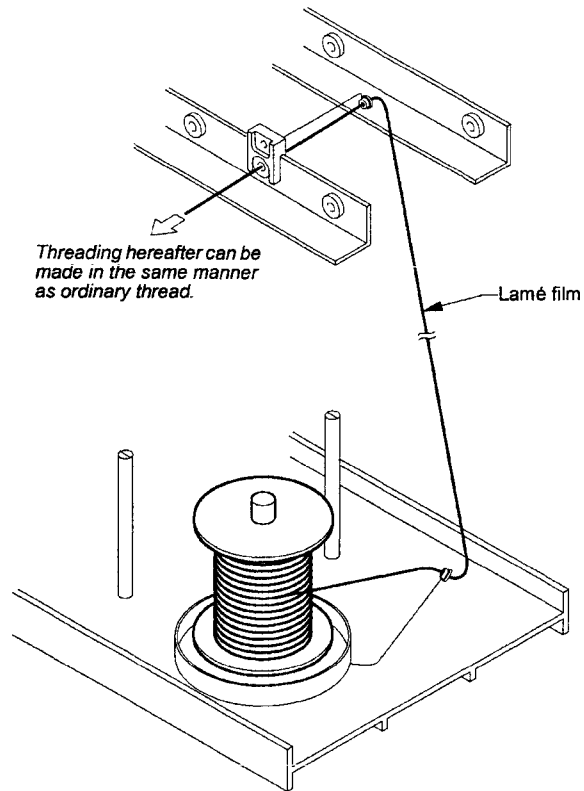
Set lamé film in the manner as shown below.



SETTING THE LAMÉ ATTACHMENT

4-2. Tension Release Sets C, D and E

Set lamé film in the manner as shown below.



5. ADJUSTING LAMÉ FILM TENSION

Check the lamé film tension by pulling the film in the state the film is threaded through the needle eye so that the positioning thread plate turns slowly. If the pulling force is 150 g (a little higher than the force needed for rayon yarn), the tension is correct.

For the under thread, adjust the tension a little higher than the tension set for rayon yarn.

EMBROIDERY USING LAMÉ FILM

1. DESIGN DATA

Lamé film is 0.1 to 0.3 mm wide. Overlap stitching on lamé film, dense stitching like satin stitch and tatami stitch and embroidery with too short stitch length may cause sewn lamé film to be broken by a needle or get fluffy. To perform beautiful embroidery with lamé film and produce high-quality goods, prepare the design that meets the following requirements.

- There are no overlap stitching on lamé film.
- Thread density in satin or tatami stitching should be 0.5 mm or more.
- The design does not contain stitches smaller than 0.6 mm.
- There are no fray preventive stitches before thread trimming.

*1: Fray preventive stitches often cause lamé film to be broken or get fluffy. Since the machine automatically processes fray preventive stitching, use the design data that does not include such stitches.

2. LAMÉ FILM AND 3-D EMBROIDERY

3-D embroidery frequently generates satin stitches with thread density of about 0.2 mm. Since lamé film tends to be broken or gets fluffy due to a sticking needle if thread density is tight, lamé film should not be used for 3-D embroidery.

PARTS LIST

CONTENTS

- LAMÉ ATTACHMENT *RM-1*

[Explanation of Marks #'s and *'s at End of Part No.]

- ◆ Please specify, in the following manner, your machine model, manufacturing number and embroidery space when you order us with the parts having **** at the end of the part No.:

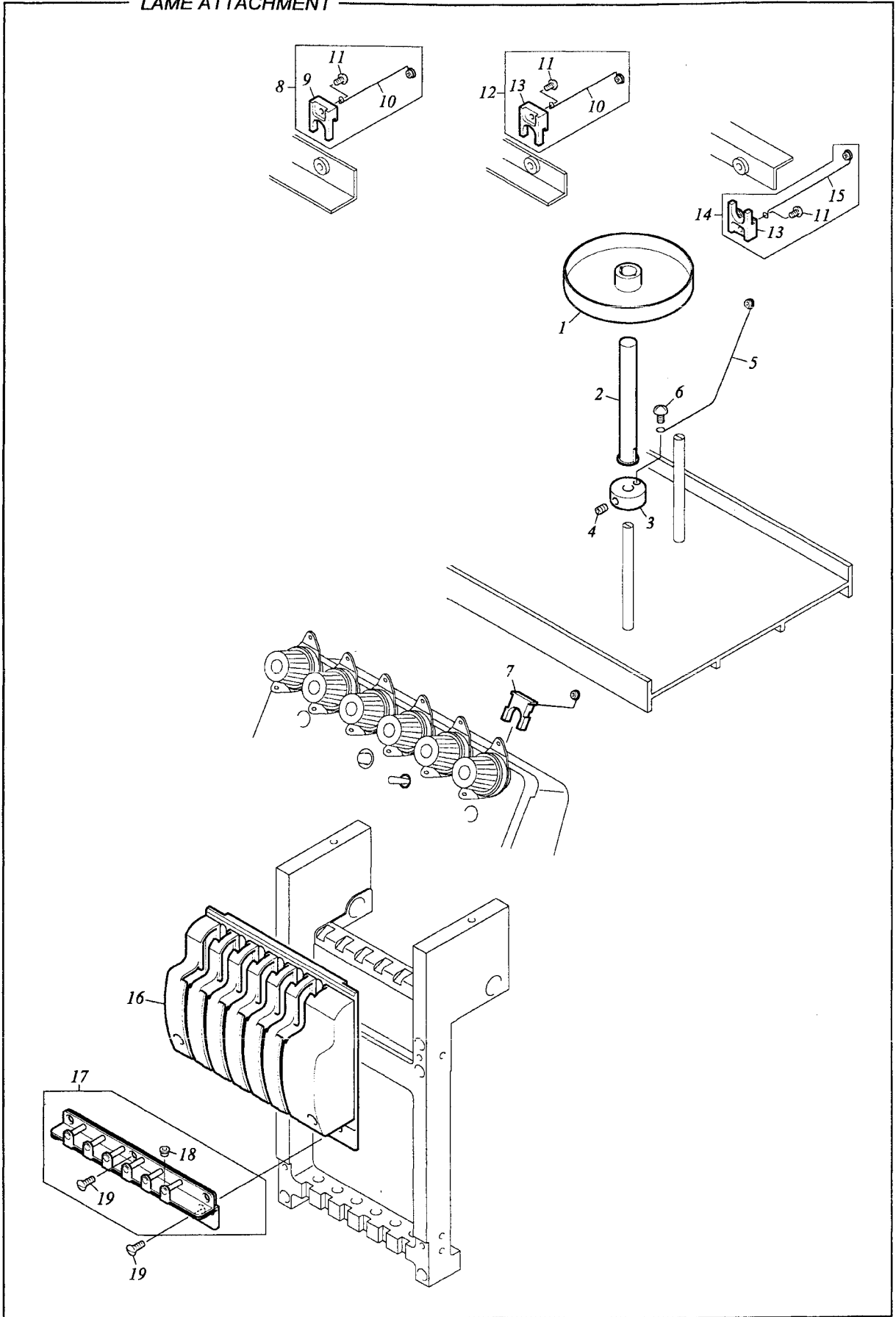
Ex.: TME-DC915 (450 × 460)S NO. 01234
[Model] [Emb. Space] [Mfg. No.]

- ◆ Please specify the number of needles on your machine's head in your parts order by changing the marks #### into one of the 4-digit numbers below:

Ex.: The part Number, EK012345####

4-digit Numbers	Machine Type
0300	3-needle machine
0600	6-needle machine
0900	9-needle machine
1200	12-needle machine
1500	15-needle machine

LAMÉ ATTACHMENT



LAMÉ ATTACHMENT

RM-1

No.	Name	Part No.	Remark
1	Positioning Thread Plate	RM0101100000	
2	Thread Stand Shaft	RM0101200000	
3	Base	RM0101300000	
4	Hexagon Socket Head Set Screw	SS8204060TN0	M 4 × 6
5	Thread Guide A	RM0101400000	
6	Pan Head Screw	SS4104050SD0	M 4 × 5
7	Tension Release Set A	RM0102S00000	For the applicable models, refer to 2. "Parts".
8	Tension Release Set C	RM0107C00000	For the applicable models, refer to 2. "Parts".
9	Spring Hook A	RM0105A00000	
10	Tension Release Spring B	RM0106B00000	
11	Pan Head Screw	SS4103050SD0	M 3 × 5
12	Tension Release Set D	RM0107D00000	For the applicable models, refer to 2. "Parts".
13	Spring Hook B	RM0105B00000	
14	Tension Release Set E	RM0107E00000	For the applicable models, refer to 2. "Parts".
15	Tension Release Spring A	RM0106A00000	
16	Top Cover	CX067100####	
16	Top Cover	CXC67100####	For Jumbo rotary hook
17	Roller-type Middle Thread Guide Set	RM0104S0####	
18	Thread Guide	FX0626110000	
19	Round Countersunk Head Screw	SMC5000535CL	9 / 6 4 × 4 0 × 3 . 5
20			
21			
22			
23			
24			
25			
26			
27			
28			
29			
30			
31			
32			
33			
34			
35			
36			
37			
38			
39			
40			
41			
42			
43			
44			
45			
46			
47			
48			
49			

NOTE: As for parts with marks # or *, please follow our instruction on Table of Contents, in your parts order.

(CG11)