

Barudan

**PORTABLE TABLE TYPE
MONOGRAM MACHINE**

MODEL BEAT-IV-YS-T

PARTS LIST

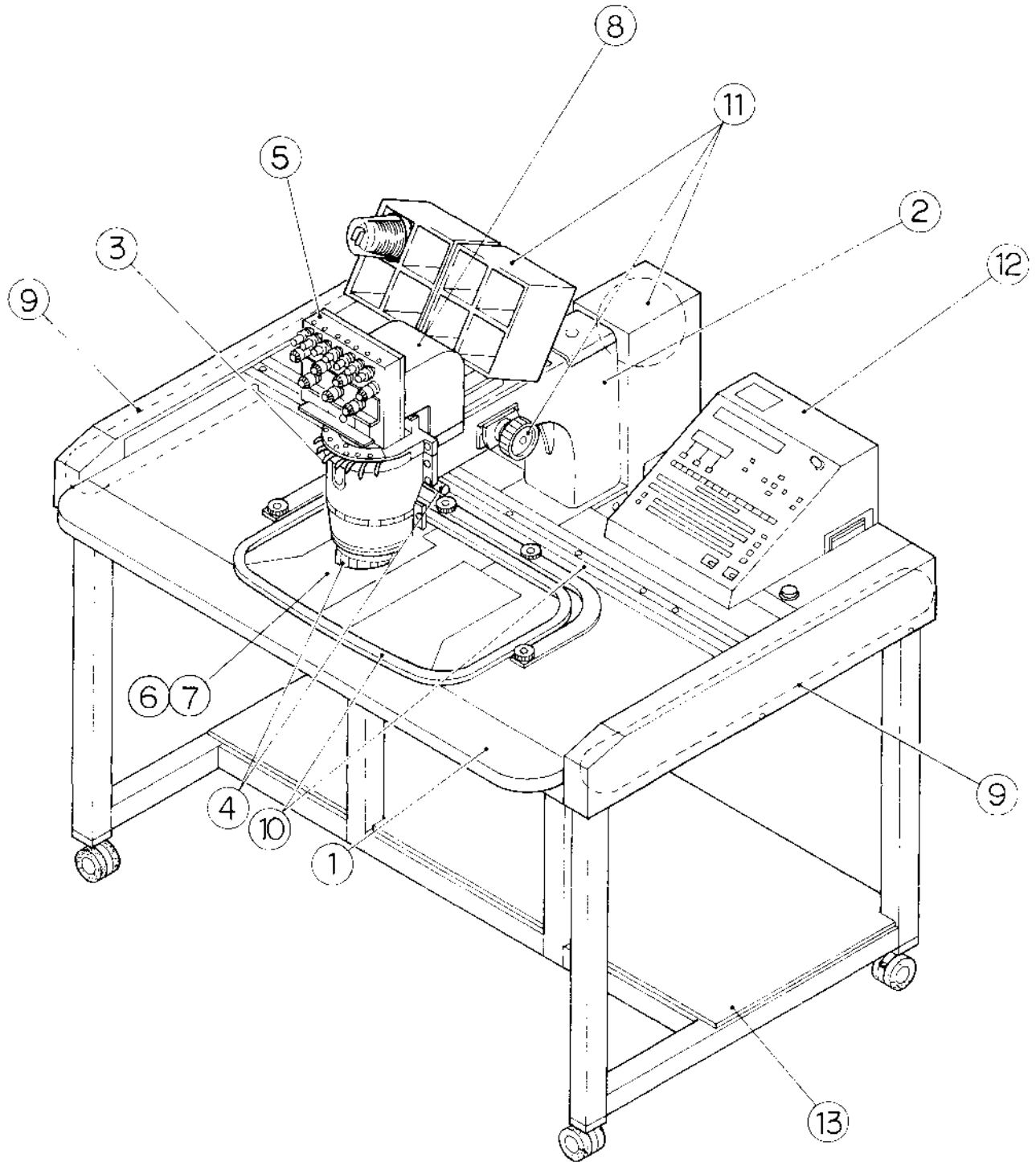
TABLE TYPE • SIMPLE STYLE MONOGRAM MACHINE

BEAT—IV—YS—T

PARTS LIST

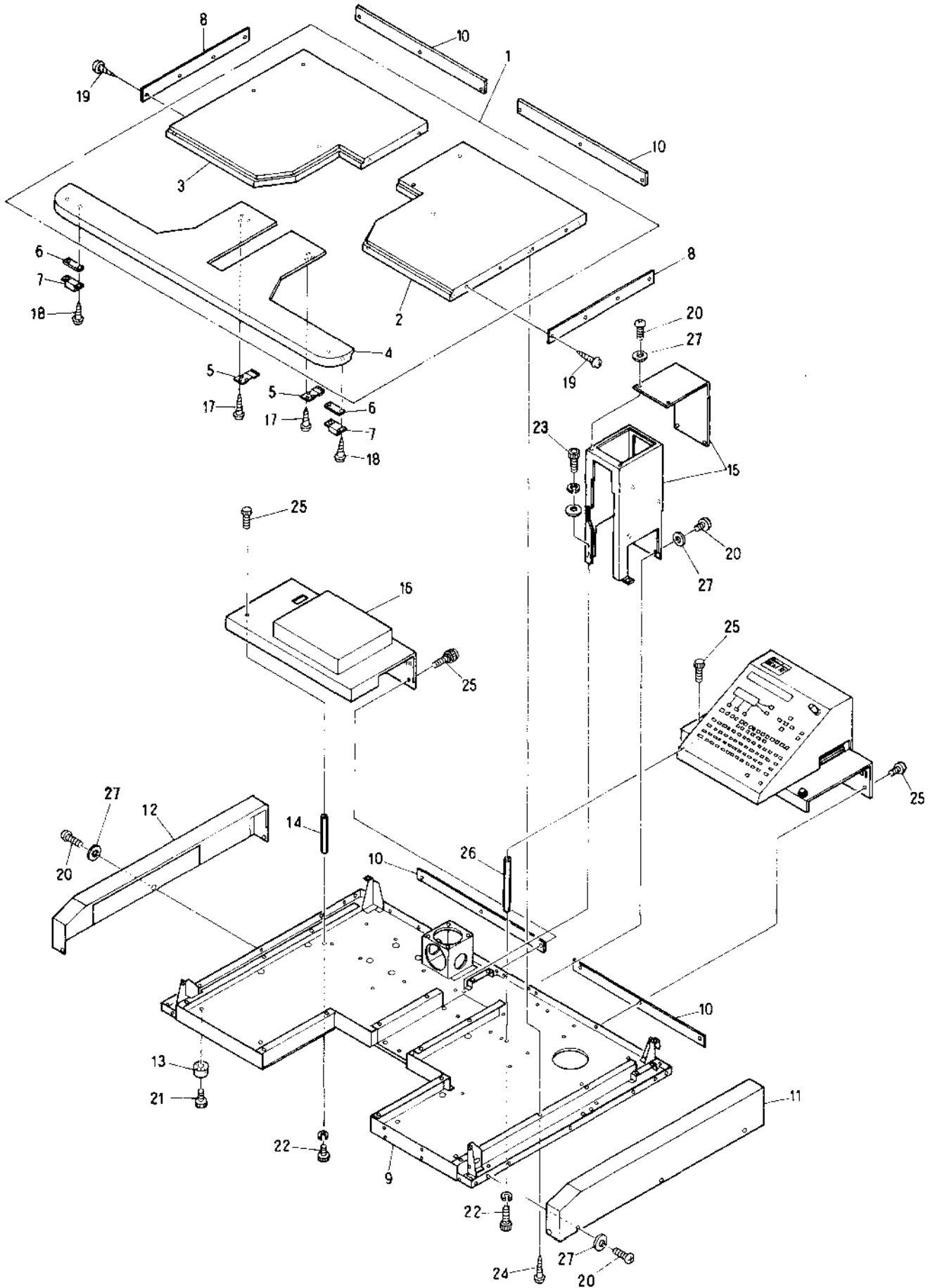
CONTENTS

ITEM No.	ページNo.
Machine layout	1
① Frame • Table	2
② Sewing head	4
③ Take up lever mechanism	6
④ Needle bar • Jump mechanism	8
⑤ Thread guide mechanism	10
⑥ Thread cutting mechanism I	12
⑦ Thread cutting mechanism II	14
⑧ Color change mechanism	16
⑨ Pantograph drive mechanism (H-Direction)	18
⑩ Pantograph drive mechanism (V-Direction)	20
⑪ Drive mechanism and thread stand	22
⑫ Control system	24
⑬ Exclusive table (Option)	26
INDEX	28



Barudan

① Frame • Table



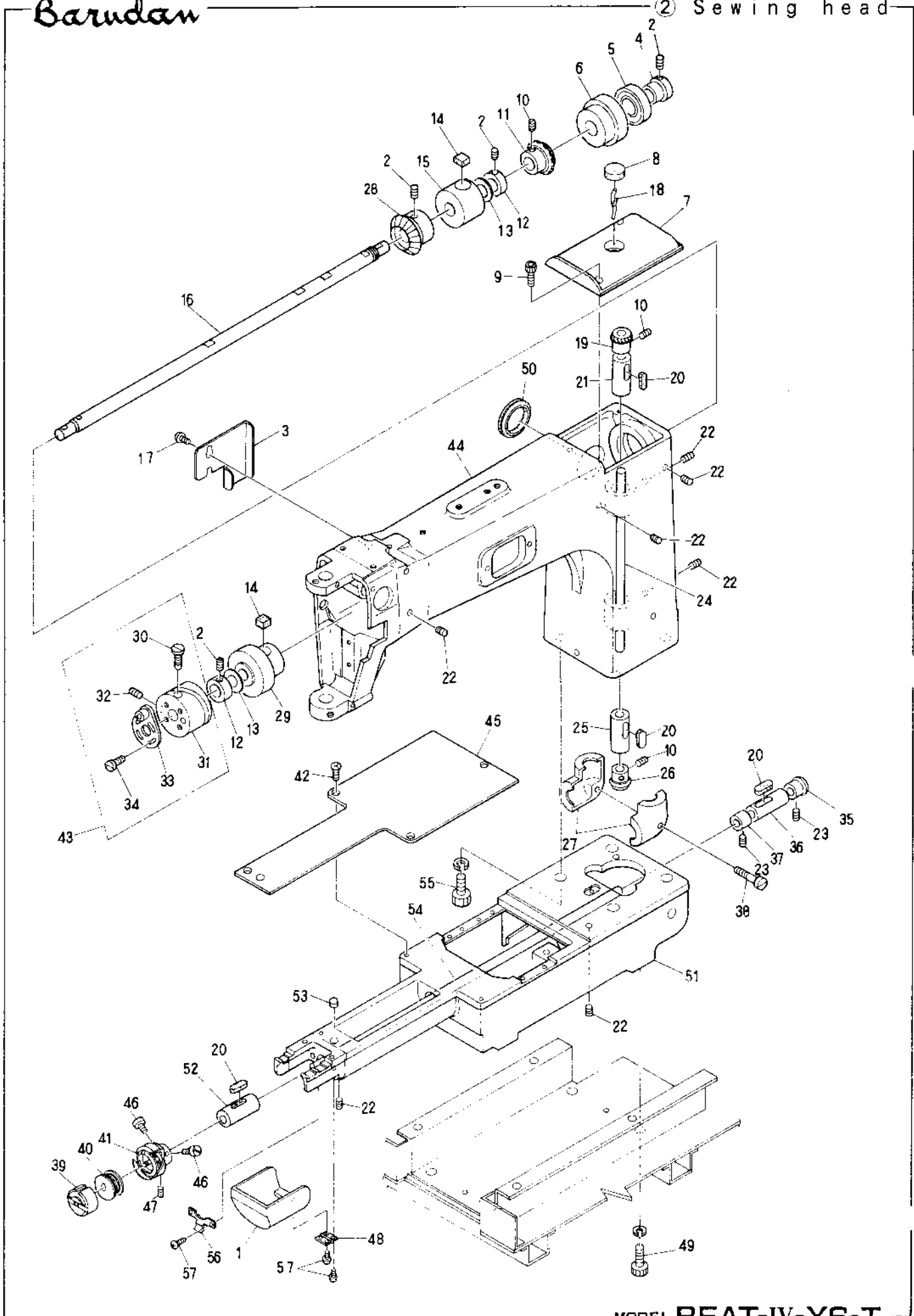
MODEL BEAT-IV-YS-T

① Frame • Table

ITEM	LIST No.	DESCRIPTION	Q'TY	REMARK
1	MY 294530	BEAT-IV Table A, B, C	1	
2	MY 294380	Table (A)	1	
3	MY 294390	Table (B)	1	
4	MY 294400	Table (C)	1	
5	MY 294410	Stopper	2	
6	MY 294580	Magnet catch spacer	2	
7	A 9012174	Magnet catch C-10C B 2	2	
8	MY 294360	H-Axis cover	2	
9	MY 294020	Base plate a'ssy	1	
10	MY 294540	Protected cover	4	
11	MY 294330	Side cover (R)	1	
12	MY 294340	Side cover (L)	1	
13	A 9012215	Rubber legs TK 3215	12	
14	MY 294350	Cover fixing stay	1	
15	MY 294321	DC Motor cover	1	
16	MY 294660	Power source cover	1	
17		Binding screw M5×10		
18		Binding screw M3×16		
19		Binding screw M4×10		
20		Oval countersunk screw M4×7		
21		Hex. socket bolt M5×20		
22		Hex. socket bolt M4×10		
23		Hex. socket bolt M4×10		
24		Pan screw M8×25		
25		Screw M4×10		
26	MY 294700	Controler fixing stay	1	
27		Rosette washer 4		

Barudan

② Sewing head



MODEL BEAT-IV-YS-T

② Sewing head

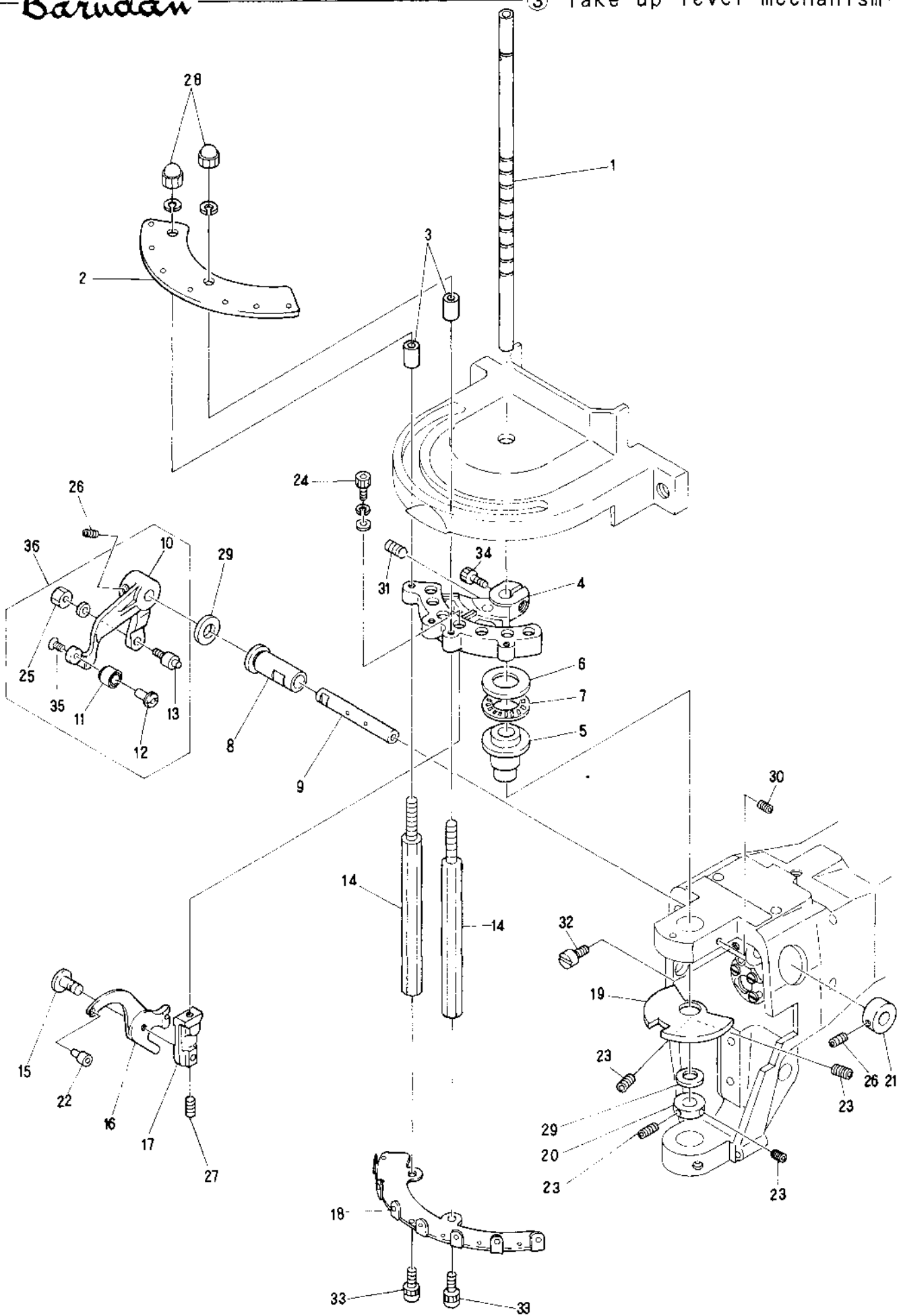
ITEM	LIST No.	DESCRIPTION	QTY	REMARK
1	KC250471	Barrel bed cover	1	
2		Hex. socket set screw M6×6		
3	KL250051	Arm side cable cover	1	
4	KL220090	Arm shaft bearing collar	1	
5	A9010037	Bearing (6004ZZ)	1	
6	KL220040	Arm shaft bearing case	1	
7	MY294600	Arm top cover	1	
8	KL220150	Oil felt D	1	
9		Hex. socket bolt M4×10		
10		Screw (SM1/4 40×4)		
11	KF230130	Bevel gear (Top shaft)	1	
12	KL220080	Arm shaft collar	2	
13	HP231390	Thrust washer (Top shaft gear)	2	
14	KL220130	Oil felt B	2	
15	KL220030	Arm shaft metal (Middle)	1	
16	KL220000	Arm shaft	1	
17		Binding screw M4×8		
18	KC251330	Oil core L-75	1	
19	KF220460	Bevel gear (Vertical shaft upper)	1	
20	KL220140	Oil felt C	4	
21	KL220050	Arm shaft (upright) metal (Upper)	1	
22		Hex. socket set screw M6×8		
23		Screw (SM11/64 40×4)		
24	KL220010	Arm shaft (upright)	1	
25	KL220060	Arm shaft (upright) metal (Lower)	1	
26	KF220470	Bevel gear (Arm shaft (upright) lower)	1	
27	KF220271	Gear cover set	1	
28	MY294440	Handle gear No. 1	1	
29	KL220020	Arm shaft metal (Front)	1	
30	KF230420	Cam set screw	1	
31	KB230030	Take up lever cam K6	1	
32	A9012311	Screw (SM15/64 28×10) lock	1	
33	KB230050	90° Clamping	1	
34	A9012007	Screw	4	
35	KF220480	Bevel gear (Bottom shaft)	1	
36	KL220070	Rotating hook shaft metal (Rear)	1	
37	KF220290	Rotating hook shaft collar	1	
38		Screw M5×25		
39	KF220440	Bobbin case (SC35-VS)	1	
40	KF220410	Bobbin	1	
41	KF220780	Rotating hook complete HSL-A-M10 (YS)	1	
42	KF250900	Needle plate set screw (SM11/64 40×7)	4	
43	KB230010	Take up lever cam K6 (90° with crank)	1	
44	MB295000	Arm (BEAT-IV-YS-T)	1	
45	KL250070	Cylinder bed cover	1	

② Sewing head

ITEM	LIST No.	DESCRIPTION	QTY	REMARK
46		Screw (SM11/65 40×5)		
47		Screw (SM11/65 40×4)		
48	A9012027	Butterfly nut (TH TM72)		
49		Hex. socket bolt M8×25	1	
50	A9014163	Grommet C-30-SG-36A	1	
51	MB295100	Barrel bed (BEAT-IV-YS-T)	1	
52	KF220230	Rotating hook shaft metal (Front)	1	
53	KL220120	Oil felt A	1	
54	KC220210	Rotating hook shaft	1	
55		Hex. socket bolt M12×35		
56	KC250482	Barrel bed cover latch spring	1	
57		Pan screw M3×6		

Barudan

③ Take up lever mechanism

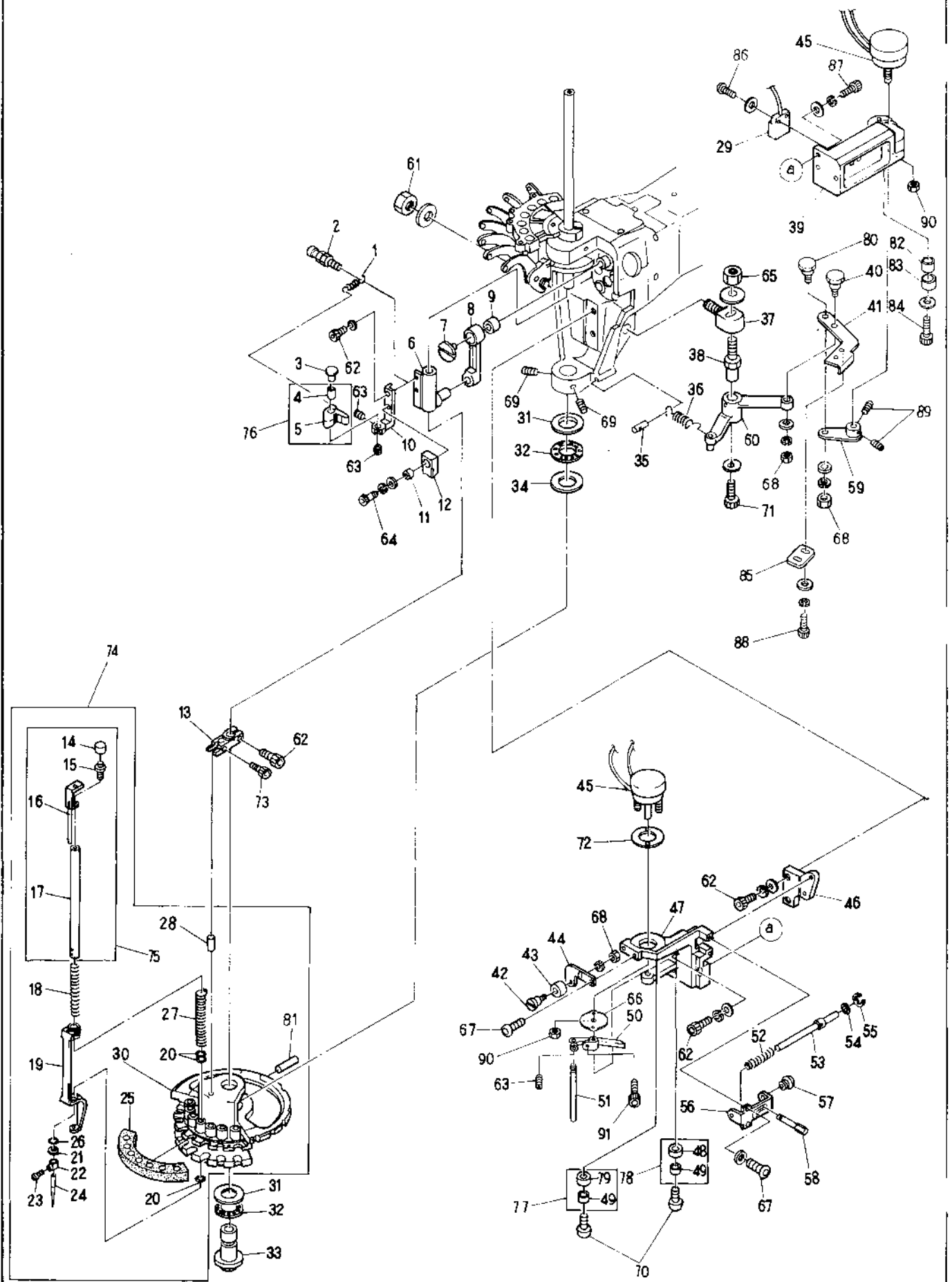


MODEL BEAT-IV-YS-T

③ Take up lever mechanism

(N=Needle Q'TY)

ITEM	LIST No.	DESCRIPTION	Q'TY	REMARK
1	KB230181	Driving shaft	1	
2	HB240180	Thread guide plate (7)	1	
	HB240290	Thread guide plate (5)	1	
3	KB240020	Thread fixing collar	2	
4	HB230290	Take up lever fixing bracket	1	
5	KB230090	Driver shaft upper metal	1	
6	A9011152	Thrust needle bearing innerring (WS1528)	1	
7	A9011021	Thrust bearing NTB-1528	1	
8	KB230100	Take up lever driving shaft metal	1	
9	KB230110	Take up lever driving shaft	1	
10	KB230120	Take up lever driving lever	1	
11	HB230320	Take up lever driving roller	1	
12	HB230331	Take up lever driving roller shaft	1	
13	KF230500	Take up lever roller assy	1	
14	KB240010	Thread fixing rod	2	
15	HB230310	Take up lever shaft	1	
16	KB230150	Take up lever	N×1	
17	KB230140	Take up lever base	N×1	
18	HB240171	Thread hanger (7)	1	
	HB240280	Thread hanger (5)	1	
19	KB230130	Take up lever stocker	1	
20	HB230160	Driving shaft set collar	1	
21	HB230270	Needle bar driving lever fixed pin set collar	1	
22	KF230580	Take up lever thread eyelet ceramic	N×1	
23	A9012300	Hex.socket set screw M4×4 (with adhesion)	4	
24		Hex.socket bolt M4×2		
25		Hex.nut SM7/32		
26	A9012301	Hex.socket set screw M5×6 (with adhesion)	2	
27	A9012303	Hex.socket set screw M3×5 (with adhesion)	N×1	
28		Cap nut M4		
29	A9012164	Thrust washer (R TR0815)	2	
30		Hex.socket set screw M6×6		
31		Hex.socket set screw (C.P) M4×5		
32		Screw (SM) 64×11		
33		Cap bolt M4×6		
34		Hex.socket bolt M4×13		
35	HB230650	Screw (with adhesive)	1	
36	KB230310	Take up lever driving lever assy	1	



MODEL BEAT-IV-YS-T

④ Needle bar • Jump mechanism

(N=Needle Qty)

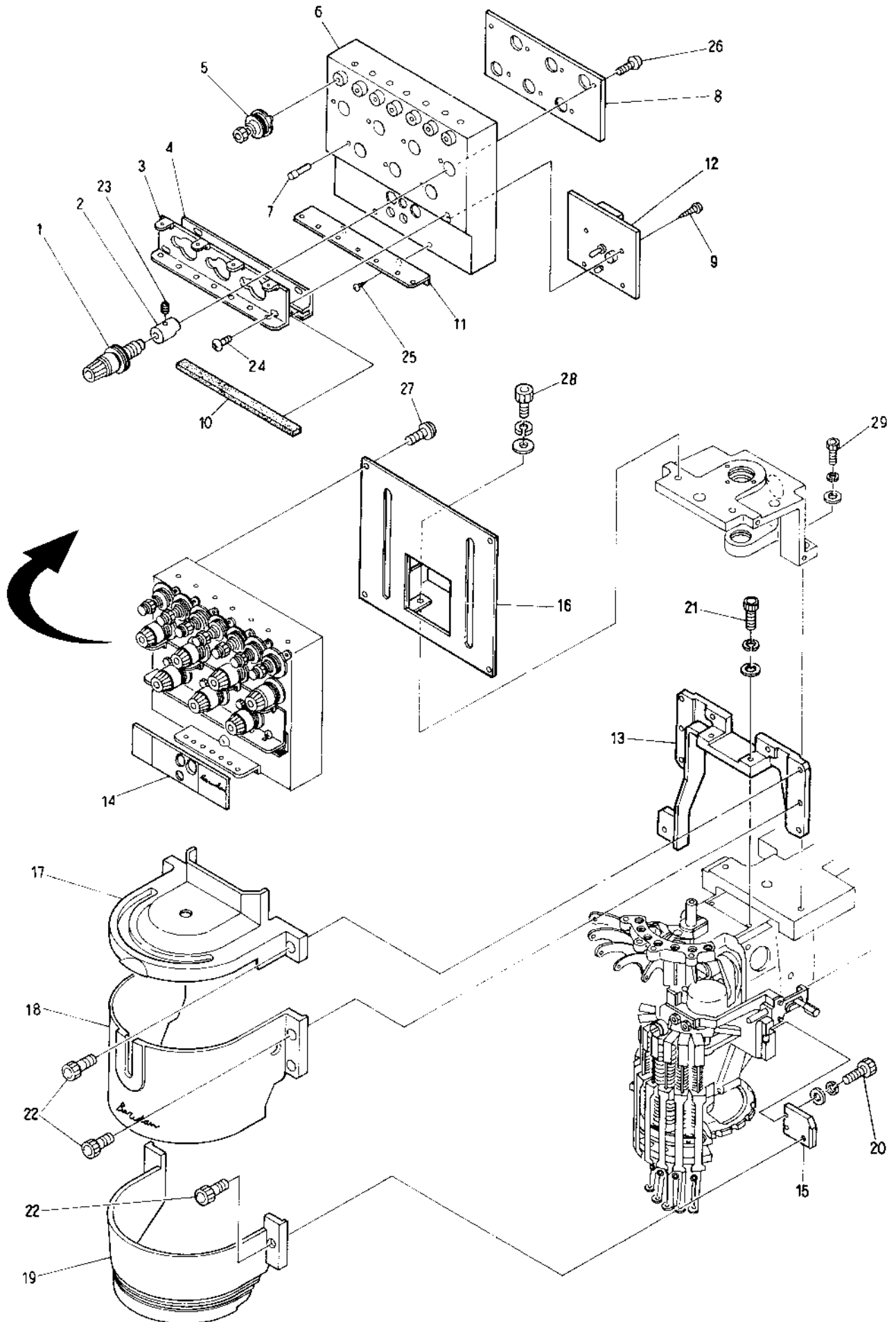
ITEM	LIST No.	DESCRIPTION	QTY	REMARK
1	HB230401	Needle bar driver return spring	1	
2	HB230590	Return spring fixing screw	1	
3	HB230390	Needle bar driver fixing pin	1	
4	A9012190	DU Bush (MB0606DU)	1	
5	HB230381	Needle bar driver	1	
6	KB230080	Needle bar driver guide block	1	
7	KB230070	90° Crank left handed screw	1	
8	KB230060	Crank rod	1	
9	A9011115	Needle bearing (K9×12×10T2)	1	
10	HB230371	Needle bar driver fixing base	1	
11	HB230420	Needle bar driver stopper set collar	1	
12	HB230414	Needle bar driver stopper	1	
13	HB230170	Driving shaft fixed plate	1	
14	KN231350	Needle bar cap	N×1	
15	HB230531	Needle bar guide fitting screw	N×1	
16	HB230521	Needle bar guide	N×1	
17	HB230511	Needle bar	N×1	
18	HB230540	Needle bar spring (Upper)	N×1	
19	KG230020	Pressure foot	N×1	
20	KF230910	O-Ring (S)	N×3	
21	KF230930	Spacer	N×1	
22	KF230230	Needle clamp	N×1	
23	KF230240	Needle clamp screw (SM9/64 40)	N×1	
24	KF230250	Needle (DBK5 11)	N×1	
25	KL230110	Turret plate oil pad	1	
26	KF230920	O-Ring (L)	N×1	
27	KF230210	Pressure foot spring	N×1	
28	A9012291	Parallel pin $\phi 5 \times 14 L$	1	
29	A9051033	Proximity switch ME-601 NOP-F2	1	
30	MB295330	Turret plate US (BEAT-IV YS-T)	1	
	MB295340	Turret plate UF (BEAT-IV YS-T)	1	
31	A9011023	Thrust bearing outer (GS1528)	2	
32	A9011021	Thrust bearing (NTB-1528)	2	
33	HB230140	Driver shaft under metal	1	
34	A9011022	Thrust washer (AS-1528)	1	
35	KF230670	Lock lever spring pin	1	
36	KF230661	Lock lever spring	1	
37	KF230650	Lock lever bracket	1	
38	KF230630	Lock lever shaft	1	
39	MB295300	Lock solenoid bracket	1	
40	MB295290	Lever set pin	1	
41	MB295321	Lock detection plate	1	
42	HB230460	Needle bar stopper fixed pin	1	
43	HB230470	Needle bar stopper	1	
44	KB230170	Needle bar stopper bracket	1	

④ Needle bar • Jump mechanism

ITEM	LIST No.	DESCRIPTION	Q'TY	REMARK
45	A9056020	Rotary solenoid (3ER-35-3×8×9; L=45)	2	
46	KB210170	Solenoid bracket fixing base	1	
47	KB240030	Jump solenoid fixing bracket	1	
48	HB240050	Eccentric collar (φ11)	1	
49	HB240040	Eccentric stopper	2	
50	HB240020	Jump solenoid lever	1	
51	HB240030	Jump solenoid lever pin	1	
52	HB240110	Cancel return spring	1	
53	HB240070	Cancel rod	1	
54	A9014051	O Ring P-5	1	
55	A9012051	E-Ring φ6	1	
56	KB240040	Cancel bracket	1	
57	HB240090	Cancel rod guide	1	
58	HB240080	Manual cancel pin	1	
59	MB295310	Lock solenoid lever	1	
60	KL230180	Lock lever	1	
61		Hex.nut M10		
62		Hex.socket bolt M4×12		
63		Hex.socket set screw M4×4 (with adhesion)	3	
64		Hex.socket bolt M4×15		
65		Hex.nut M8		
66	HB230580	Solenoid prevention noise cover	1	
67		Hex.socket button bolt M4×10		
68		Hex.nut M4		
69	A9012053	Hex.socket set screw M6×0.75×8	2	
70	A9012310	Hex.socket button bolt M4×12 (with adhesion)	2	
71		Hex.socket bolt M5×10		
72	HB230560	Sheet for rotary solenoid	1	
73	A9012309	Hex.socket bolt M3×12 (with adhesion)	1	
74	MB295400	Turret plate a'ssy (YS)	1	
	MB295410	Turret plate a'ssy (YF)	1	
75	HB230500	Needle bar a'ssy	1	
76	HB230570	Needle bar driver a'ssy	1	
77	HB240340	Eccentric stopper a'ssy (φ12)	1	
78	HB240330	Eccentric stopper a'ssy (φ11)	1	
79	HB240310	Eccentric collar (φ12)		
80	KL270130	Lever connecting pin	1	
81	MB295380	Parallel pin φ3 H7, L 14	1	
82	KN271651	Stopper eccentric	1	
83	KN271661	Eccentric cover	1	
84		Hex.socket bolt M4×25		
85	MB295430	Sensor dog	1	
86		Truss screw M3×12		
87		Hex.socket bolt M4×20		
88		Hex.socket bolt M3×5		

Barudan

⑤ Thread guide mechanism



MODEL BEAT-IV-YS-T

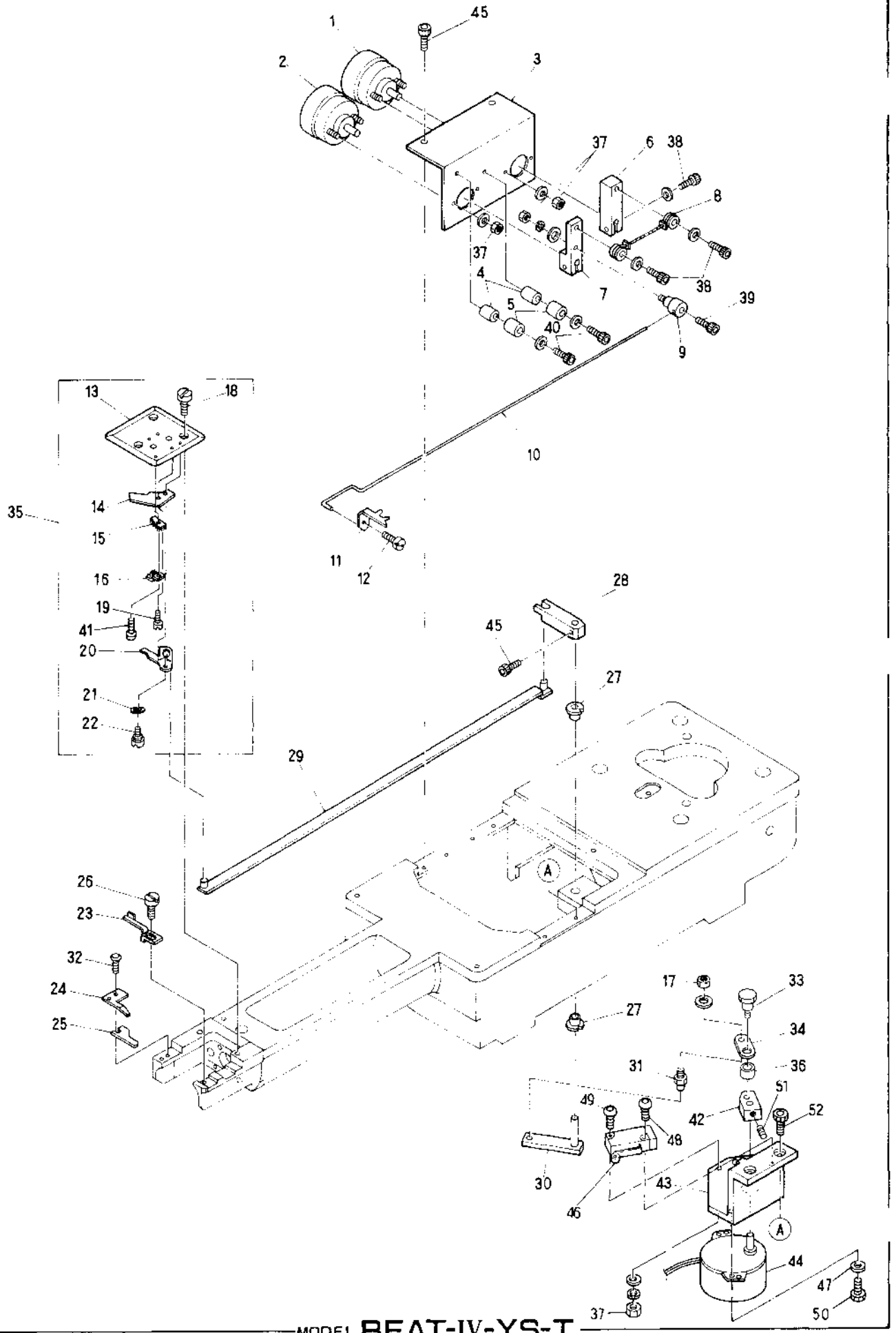
⑤ Thread guide mechanism

(N=Needle Qty)

ITEM	LIST No.	DESCRIPTION	Q'TY	REMARK
1	HP241410	Dial type tension unit complete	N×1	
2	HP241150	Tension base (With screw)	N×1	
3	HP241180	First thread guide (7)	1	
	HP241170	First thread guide (5)	1	
4	HP241480	Thread guide felt fixing plate (7)	1	
	HP241450	Thread guide felt fixing plate (5)	1	
5	HP241440	Upper tension unit complete	N×1	
6	HP241122	Tension base (7)	1	HP241160 HP241150
	HP241112	Tension base (5)	1	HP241160 HP241150
7	HP241160	Upper thread detection pin	N×1	
8	HP241381	Tension earth plate (7)	1	
	HP241371	Tension earth plate (5)	1	
9		Pan screw 2×8		
10	HP241480	Thread guide felt (7)	1	
	HP241470	Thread guide felt (5)	1	
11	HB240260	Second thread guide plate (7)	1	
	HB240270	Second thread guide plate (5)	1	
12	EBN01600	108800004 Head board for thread cutting AT-IV	1	
13	MB295110	Sewing head cover fixing bracket (BEAT-IV-YS-T)	1	
14	KU241400	Tension base label	1	
15	KB250060	Sewing head cover fixing stay	1	
16	MB295220	Tension base (7)	1	
	MB295390	Tension base (5)	1	
17	KB250020	Sewing head cover A	1	
18	KB250030	Sewing head cover B	1	
19	KB250040	Sewing head cover C	1	
20		Hex. socket bolt M4×15		
21		Hex. Socket bolt M5×20		
22		Hex. Socket bolt M4×6		
23		Set screw (SM11/64 40×5.5)		
24		Truss screw M4×6		
25		Tapping screw M3.5×8		
26		Pan screw M3×4		
27		Pan screw with washer M4×8		
28		Hex. socket bolt M5×10		
29		Hex. socket bolt M6×25		

Barudan

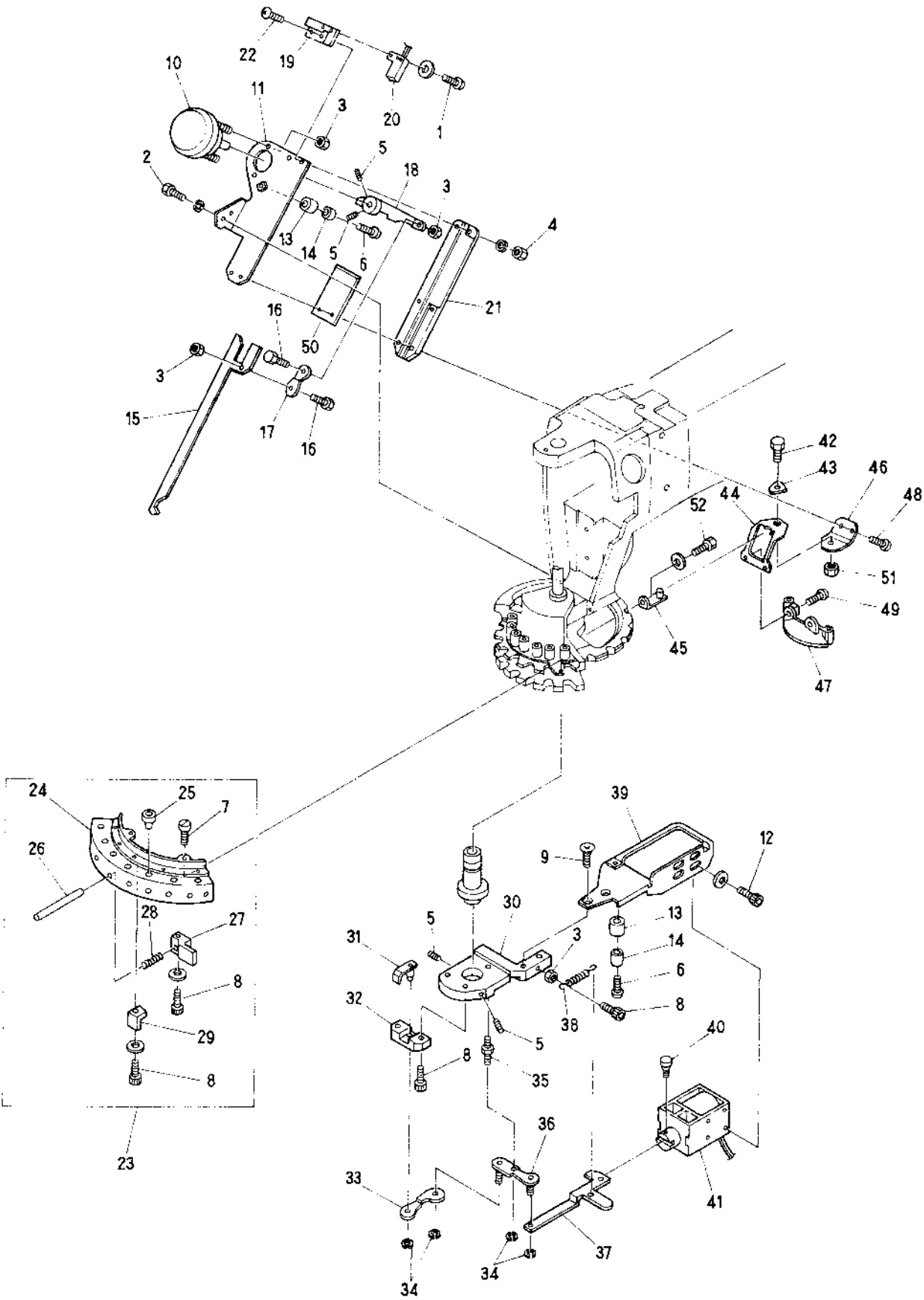
⑥ Thread cutting mechanism I



MODEL BEAT-IV-YS-T

⑥ Thread cutting mechanism I

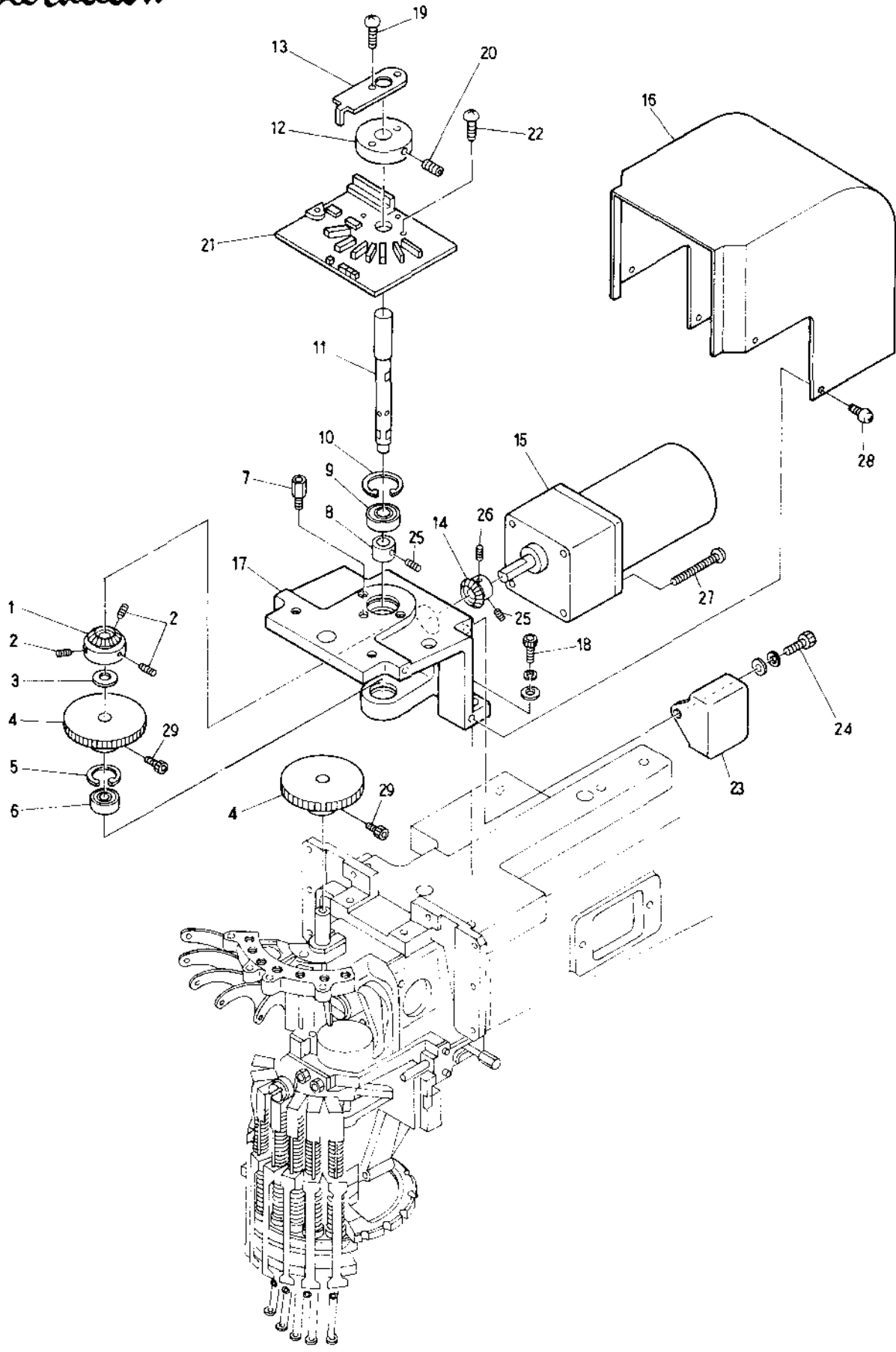
ITEM	LIST No.	DESCRIPTION	QTY	REMARK
1	A9056012	Rotary solenoid (SER25 33×3×8×9)	1	
2	A9056008	Rotary solenoid (SER25 33×3×8×9)	1	
3	KC271960	Solenoid stay	1	
4	KN271651	Stopper eccentric	2	
5	KN271661	Eccentric cover	2	
6	KC271950	Solenoid lever B	1	
7	KC271940	Solenoid lever A	1	
8	KL270360	Drive rope	1	
9	KC271041	Connecting clamp	1	
10	KC271031	Hook drive rod	1	
11	KC271021	Hook	1	
12	KC271000	Upper thread cutter turning shaft	1	
13	KL270380	Needle plate	1	
14	KC270960	Fixed cutter	1	
15	KC271220	Lower thread support stay (Upper) CMP	1	
16	KN271190	Lower thread support stay (Lower) CMP	1	
17		Hex. nut M4		
18	KF250900	Needle plate set screw (SM11/64 40×7)	2	
19	KC270980	Fixed cutter set screw	1	
20	KC270950	Lower thread cutter	1	
21	A9013045	Wave washer (WW5)	1	
22	KC270970	Lower thread cutter turret shaft	1	
23	KC220641	Bobbin case fixing plate	1	
24	KN271610	Cutter fixing plate	1	
25	KN271602	Upper thread cutter	1	
26	A9012007	Screw	1	
27	A9012114	DU Bush (MB0505-10FDU)	2	
28	KC271120	Lower thread cutter drive lever (Upper)	1	
29	KC271070	Lower thread cutter drive rod	1	
30	MB295280	Lower thread cutter drive lever	1	
31	MB275250	Lever pin	1	
32		Hex. socket bottom bolt M3×6		
33	MB295290	Lever set pin	1	
34	MB295270	Lever connecting plate	1	
35	KL270390	Needle plate a'ssy	1	
36	MB295260	Motor lever collar	1	
37		Hex. nut M3		
38		Hex. socket bolt M4×10		
39		Hex. socket bolt M3×5		
40		Hex. socket bolt M4×18		
41		Pan screw M3×3		
42	MB295241	Motor lever	1	
43	MB295230	Lower thread cutter motor bracket	1	
44	A9065033	Synchro motor D-12 (CCW, 15RPM, 100V)	1	
45		Hex. socket bolt M4×8		



⑦ Thread cutting mechanism II

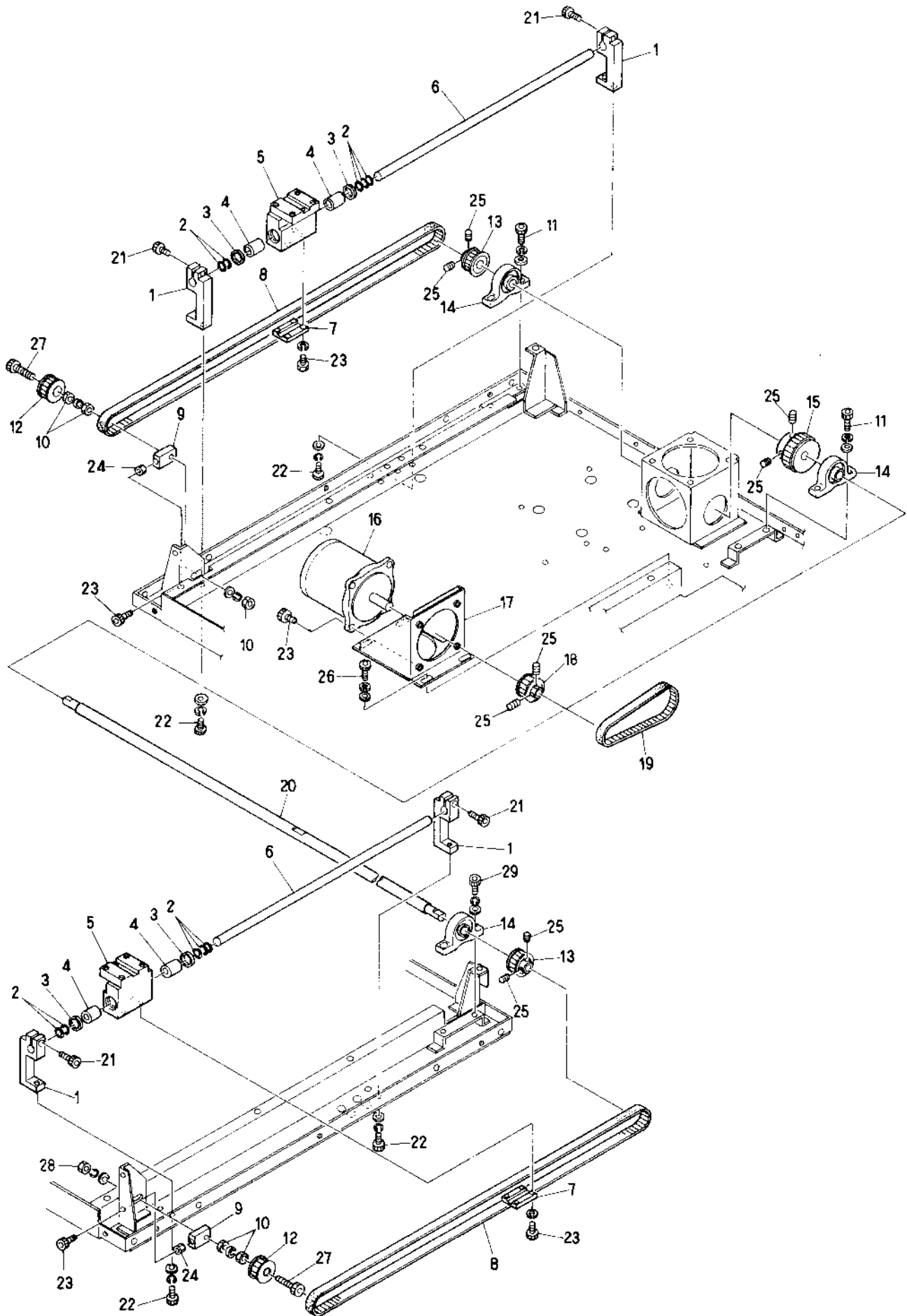
(N=Needle Qty)

ITEM	LIST No	DESCRIPTION	QTY	REMARK
1		Truss screw M3×6		
2		Hex. socket bolt M4×12		
3		Hex. nut M4		
4		Hex. nut M3		
5		Hex. socket set screw M4×8		
6		Truss screw M4×16		
7		Set screw (SM9/64×40×10)		
8		Hex. socket bolt M4×10		
9		Pan screw M4×8		
10	A9056018	Rotary solenoid (4ER67.5-34×8×9 orange)	1	
11	KL270081	Thread away base	1	
12		Hex. socket bolt M3×6		
13	KL270150	Eccentric cover	2	
14	KL270140	Stopper eccentric	2	
15	KL270101	Thread away hook	1	
16	KL270130	Lever connecting pin	2	
17	KL270120	Connecting plate	1	
18	KL270110	Thread away solenoid lever	1	
19	KL270260	Switch stay	1	
20	A9052028	Limit switch (RS-6C3)	1	
21	KL270091	Thread away hook guide	1	
22		Truss screw M3×10		
23	KC270761	Thread support apron LF a'ssy (5)	1	
	KG270760	Thread support apron US a'ssy (7)	1	
24	KC270283	Thread support apron (5)	1	
	KG270282	Thread support apron (7)	1	
25	KF230580	Take up lever ceramic	N×1	
26	KG270310	Thread support pin	N×1	
27	KC270301	Thread support clamp	N×1	
28	KC270271	Support spring	N×1	
29	KC270292	Thread support block	N×1	
30	KL270000	Fixing base	1	
31	KL270020	Thread support slider	1	
32	KL270010	Slide base	1	
33	KL270030	Driving plate	1	
34	A9012056	E-Ring φ3	4	
35	KL270040	Lever turret pin	1	
36	KL270050	Solenoid lever	1	
37	KL270060	Lever connecting plate	1	
38	KL270520	Return spring	1	
39	KL270070	Solenoid stay	1	
40	KC270101	Solenoid pin	1	
41	A9056013	Keep solenoid (TDS-K10SL)	1	
42	KL270410	Thread hanger plate rotary shaft	1	
43	A9013045	Wave washer (WW-5)	1	



⑧ Color change mechanism

ITEM	LIST No.	DESCRIPTION	QTY	REMARK
1	MB 295350	Torque limiter collar	1	
2	A 9012312	Small plunger PCF-4-B (lock)	3	
3	A 9012164	Thrust washer R TW0815	1	
4	MB 295140	Needle turning gear	2	
5	A 9012233	C-Ring ($\phi 17$)	1	
6	A 9010033	Ball bearing (6006ZZ)	1	
7	MB 295170	Fixing screw for needle board	3	
8	MB 295160	Needle turning shaft collar	1	
9	A 9010021	Ball bearing (6008ZZ)	1	
10	A 9012162	C-Ring ($\phi 22$)	1	
11	MB 295130	Needle turning shaft	1	
12	KC 330170	Plate collar	1	
13	HH 330281	Detection plate	1	
14	MB 295150	Needle turning bevel gear	1	
15	HH 330810	Gear motor RM-F6A-5PC1	1	
16	MB 295180	Needle positioner cover	1	
17	MB 295120	Needle turning base	1	
18		Hex. socket bolt M6×25		
19		Truss screw M3×8		
20		Hex. socket set screw M5×10		
21	EBN 01590	70204100 Color change bead AT IV	1	
22		Truss screw M4×6		
23		Condenser FM:0083	1	
24		Hex. socket bolt M4×10		
25		Hex. socket set screw M4×4		
26		Hex. socket set screw M4×5 (key side)		
27		Pan screw M3×60		
28		Truss screw M4×8		
29		Hex. socket bolt M4×6		

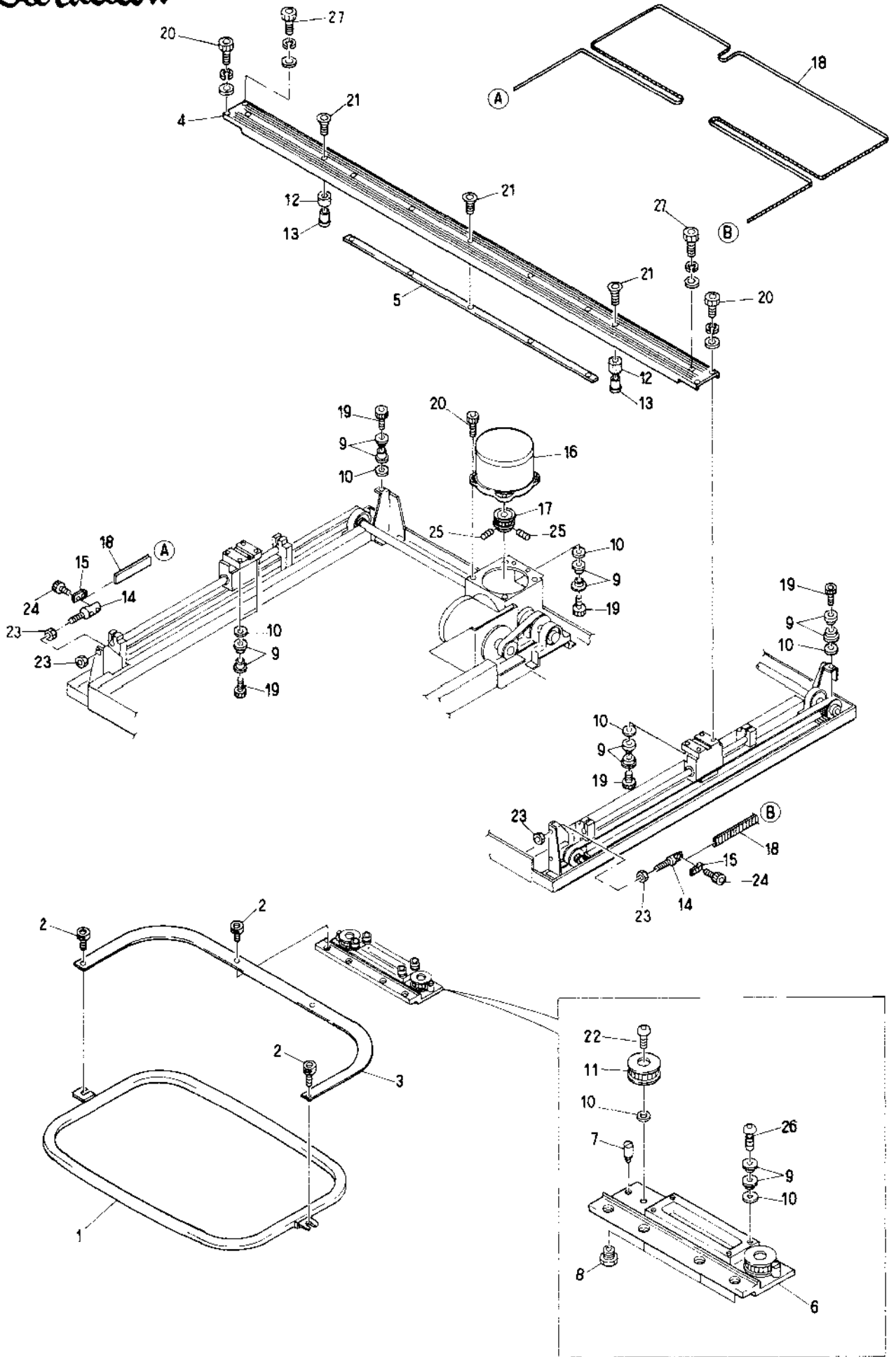


⑨ Pantograph drive mechanism (H)

ITEM	LIST No	DESCRIPTION	QTY	REMARK
1	MY294060	Shaft support	4	
2	A9015060	O-Ring P10A	10	
3	A9011123	Felt seal FLW10	4	
4	A9011103	Slide bearing metal bush SMZ10-20	4	
5	MY294070	H-Axis sliding housing	2	
6	MY294030	Quenching slide shaft	2	
7	MY294040	Fixing plate (A)	2	
8	A9020121	Timing belt 100S5M1295	2	
9	MY294050	H-Axis tension plate	2	
10		Hex.nut M6		
11		Hex.socket bolt M6×20		
12	MY294110	H-Axis driving pulley	2	
13	MY294120	H-Axis driving pulley	2	
14	A9011020	Bearing unit UP001	3	
15	MY294090	H-Axis reduction pulley	1	
16	EBN01220	Pulse motor 103 815 1140	1	
17	MY294130	H-Axis motor mount	1	
18	MY294100	H-Axis motor pulley	1	
19	A9020122	Timing belt 100S5M325	1	
20	MY294080	H-Axis driving shaft	1	
21		Hex.socket bolt M5×12		
22		Hex.socket bolt M5×18		
23		Hex.socket bolt M5×15		
24		Hex.nut M5		
25		Hex.socket set screw M5×5		
26		Hex.socket bolt M5×10		
27		Hex.socket bolt M6×35		
28		Hex.nut M6		

Barudan

⑩ Pantograph drive mechanism (V-Direction)



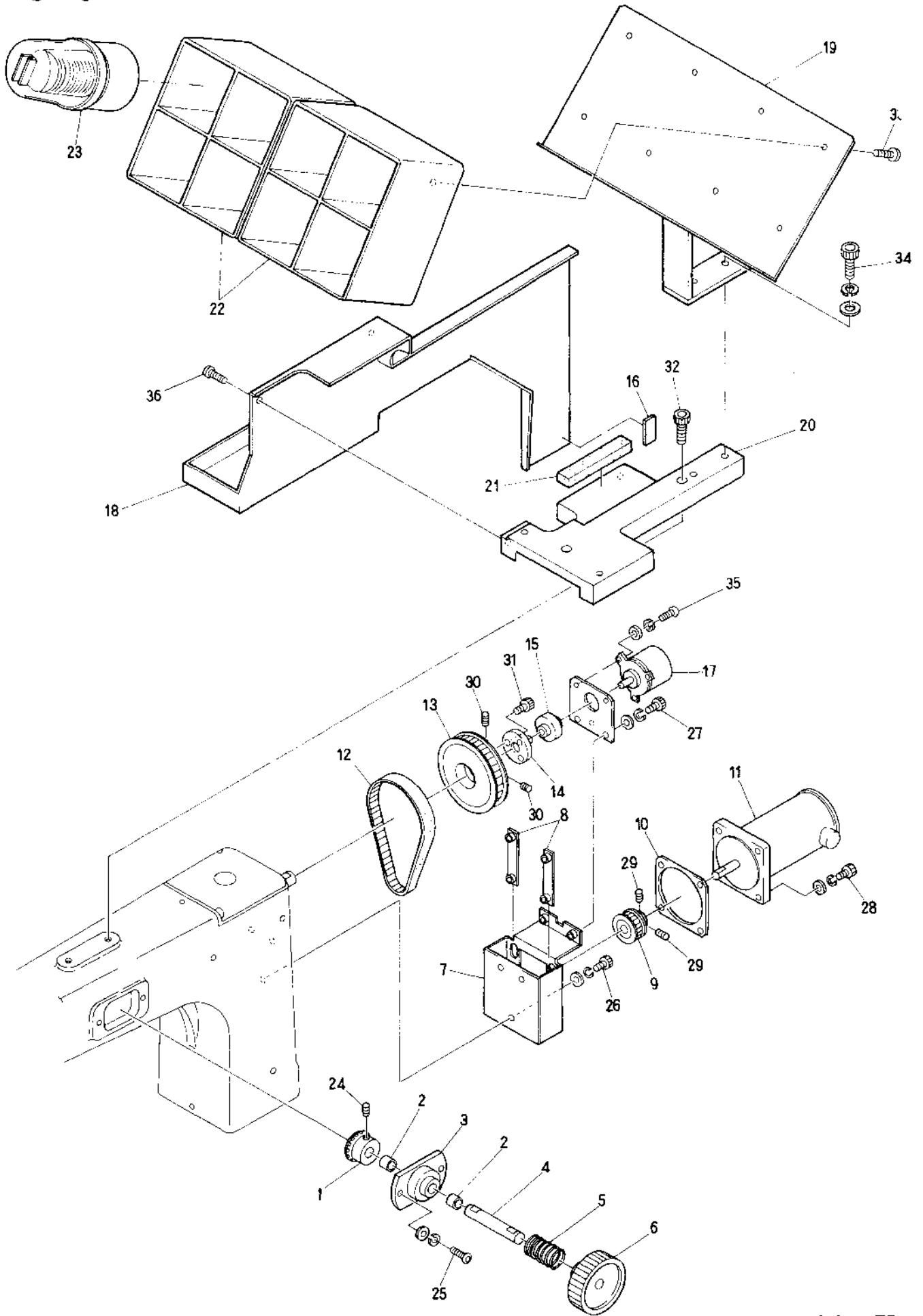
MODEL BEAT-IV-YS-T

⑩ Pantograph drive mechanism (V)

ITEM	LIST No	DESCRIPTION	Q'TY	REMARK
1	MY294590	Plastic pantograph 460×300 (BEAT IV with arm)	1	
2	KF730790	Knurling screw for pantograph	4	
3	MY294200	Pantograph fixing arm	1	
4	MY294170	Rail cover	1	
5	MY294160	Rail (V-Axis)	1	
6	MY294190	V-Axis sliding base plate	1	
7	MY294180	V-Axis stopper pin	2	
8	MV293870	Nut for pantograph	4	
9	A9010032	Bearing FL605ZZ (RF1450ZZ)	24	
10	A9013060	Shim ring PS5×10×0.5	14	
11	MY294230	V-Axis driver pulley	2	
12	MY294210	Urethane rubber	2	
13	MY294220	Shaft for urethane	2	
14	MY294150	V-Axis tension screw	2	
15	MY294140	Fixing plate (V)	2	
16	EBN01210	Pulse motor 103-809-1640	1	
17	MY294240	V-Axis motor pulley	1	
18	A9020123	Timing belt 60S2M4320	1	
19		Hex. socket bolt M5×20		
20		Hex. socket bolt M5×10		
21		Hex. socket flush screw M4×10		
22		Hex. socket button bolt M5×15		
23		Hex. nut M4		
24		Hex. socket bolt M3×8		
25		Hex. socket set screw M5×5		
26	MY294670	Hex. socket button bolt M5×20 (Special processed)	4	
27		Hex. socket bolt M5×15		

Barudan

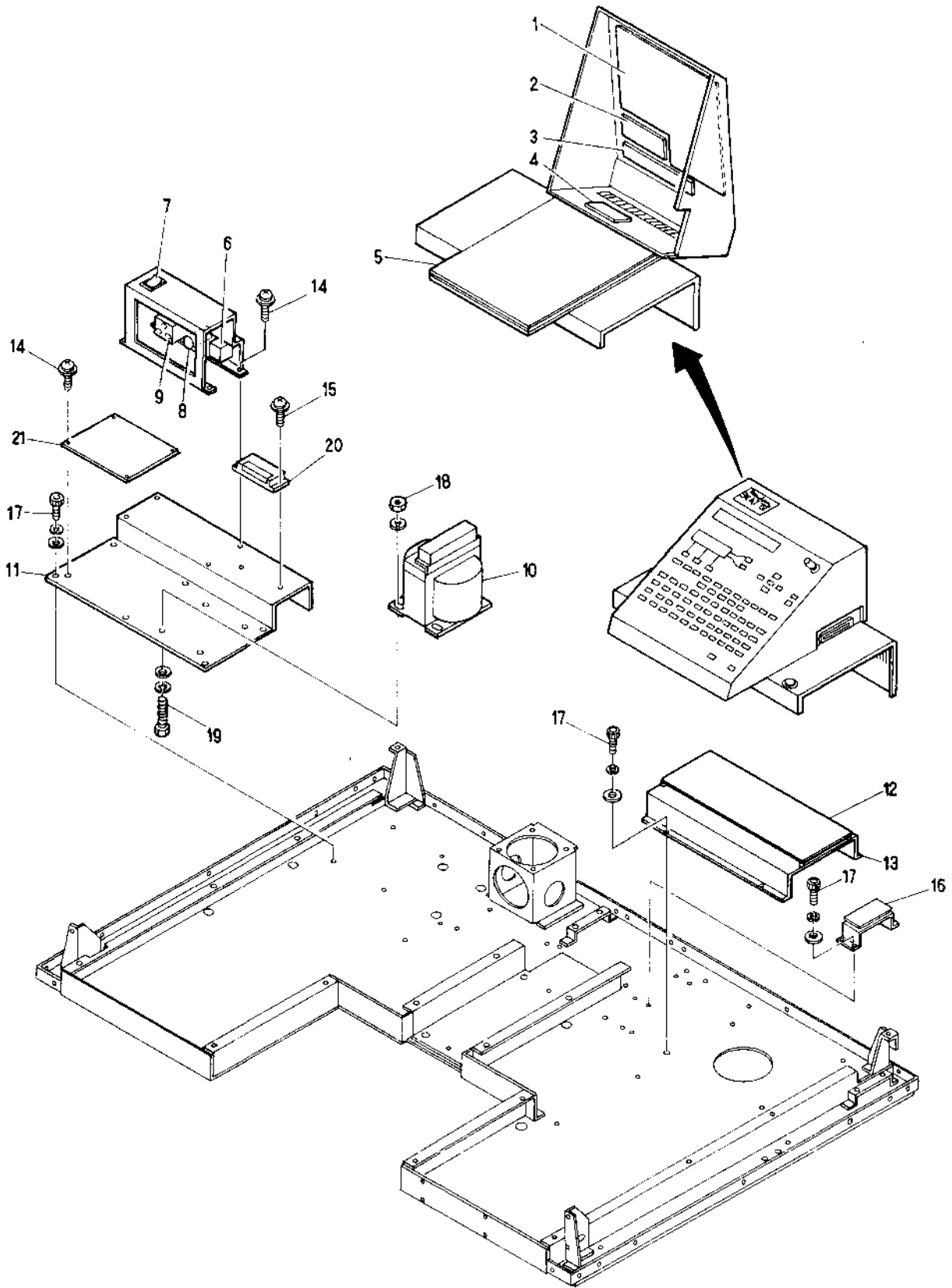
⑪ Drive mechanism and thread stand



MODEL BEAT-IV-YS-T

⑪ Drive mechanism and thread stand

ITEM	LIST No.	DESCRIPTION	Q'TY	REMARK
1	MY294450	Handle gear No2	1	
2	A9012077	DC Bush (MB1010DU)	2	
3	MY294430	Handle shaft support	1	
4	MY294460	Handle shaft	1	
5	MY294470	Handle spring	1	
6	MY294420	Handle HPK-63×C10	1	
7	MY294290	DC Motor mount	1	
8	MY294260	DC Motor nut plate	2	
9	MY294300	DC Motor pulley	1	
10	MY294270	Spacer for DC motor	1	
11	EBN01200	DC Motor DTM-35400	1	
12	A9020122	Timing belt 100S5M325	1	
13	MY294310	DC Motor pulley	1	
14	MY294280	Adapter for encoder	1	
15	KC510240	Rateral coupling ML-27-6	1	
16		Magic tape 15×30	1	
17	EBN01390	Position coder (LBJ-007-600) AT-IV	1	
18	MB295210	Thread stand cover	1	
19	MB295200	Thread stand	1	
20	MB295190	Thread stand fixing base	1	
21	MY284710	Thread stand cover mat	1	
22	HP711370	Case fixing box (Cassette type)	2	
23	HP711360	Thread case (Cassette type)	8	
24		Hex. socket set screw M6×6		
25		Hex. socket button bolt M5×15		
26		Hex. socket bolt M6×15		
27		Hex. socket bolt M4×10		
28		Hex. socket bolt M5×22		
29		Hex. socket set screw M5×5		
30		Hex. socket set screw M5×8		
31		Hex. socket bolt M4×8		
32		Hex. socket bolt M8×20		
33		Truss screw M4×6		
34		Hex. socket bolt M6×18		
35		Pan screw M3×8		
36		Truss screw M4×8		

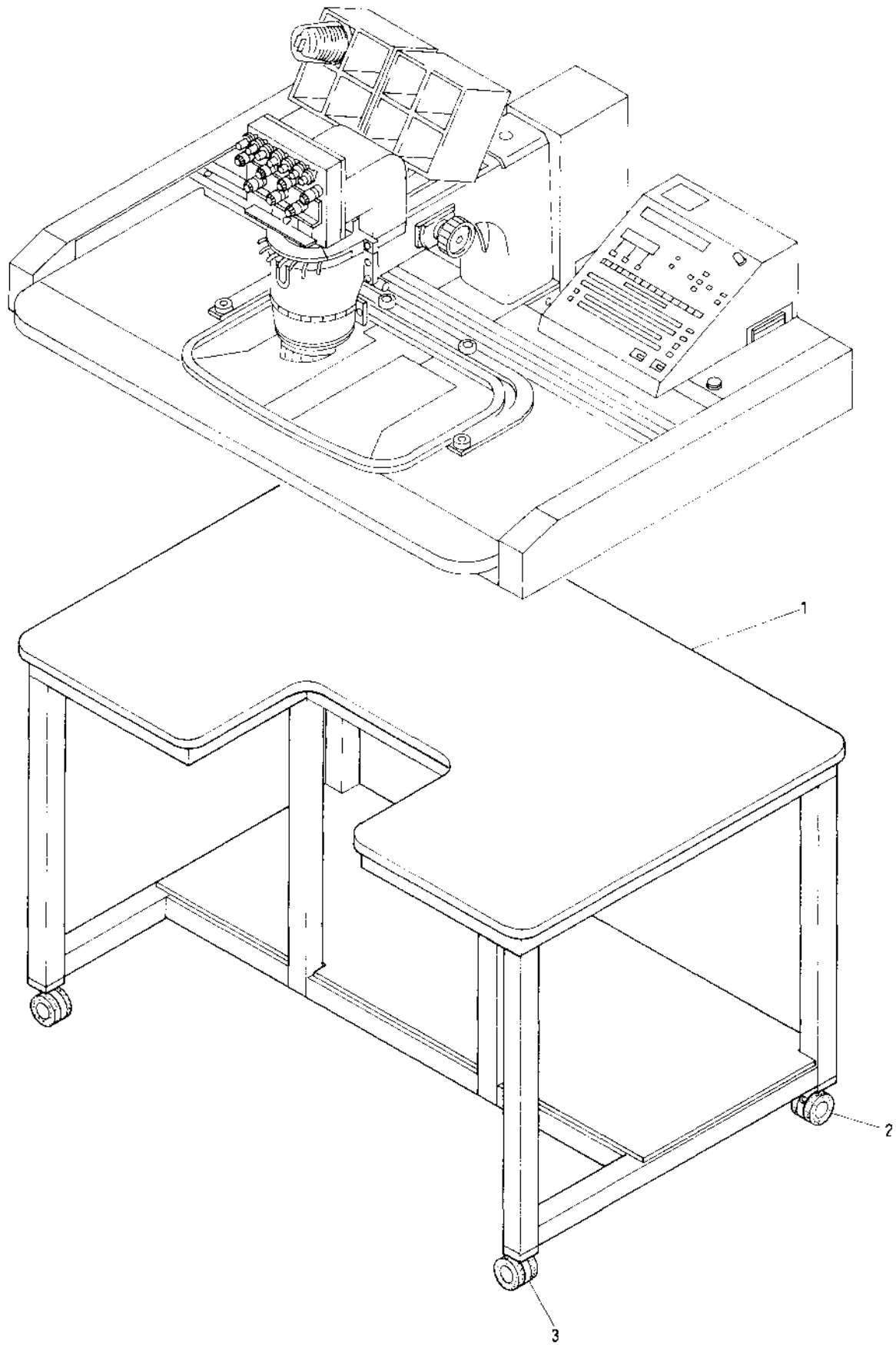


⑫ Control system

ITEM	LIST No	DESCRIPTION	QTY	REMARK
1	EBN01250	Keyboard BEAT-IV-003	1	
2	EBN01300	BEAT IV 2lineLCD LM032L	1	
3	EBN01290	BEAT-IV 1lineLCD H2572	1	
4	EBN01260	Conector board BEAT-IV-004	1	
5	EBN01240	Control board BEAT-IV-002	1	
6	EBN01350	Outlet ECHO 125V12A	1	
7	EBN01330	Power switch HLS208K	1	
8	EBN01360	Knife breaker NRF100 5A	1	
9	EBN01340	Power intolet ZUG2203-11	1	
10	EBN01320	BEAT IV Transformer TS-0077	1	
11	MY294640	Power source base plate	1	
12	EBN01230	Power driver board BEAT-IV-001	1	
13	MY294650	Driver board frame	1	
14		Pan screw M3×6		
15		Pan screw M4×14		
16	EBN01610	2001-32B Thread cutting amp board BEAT-IV-YS-T	1	
17		Hex. socket bolt M4×8		
18		Hex. nut M6		
19		Hex. socket bolt M6×20		
20		Terminal	1	
21	FA911141	BEAT IV Power source box (ECMG21-10)	1	

Barudan

⑬ Exclusive table (Option)



MODEL BEAT-IV-YS-T

I N D E X

L I S T	No.	PAGE	No.	ITEM	L I S T	No.	PAGE	No.	ITEM
A 9 0 1 0 0 1 7		5		5	A 9 0 2 0 1 2 1		1 9		8
A 9 0 1 0 0 2 1		1 7		9	A 9 0 2 0 1 2 2		1 9		1 9
A 9 0 1 0 0 3 2		2 1		9	A 9 0 2 0 1 2 2		2 3		1 2
A 9 0 1 0 0 3 3		1 7		6	A 9 0 2 0 1 2 3		2 1		1 8
A 9 0 1 1 0 2 0		1 9		1 4	A 9 0 5 1 0 3 3		9		2 9
A 9 0 1 1 0 2 1		7		7	A 9 0 5 2 0 0 5		1 3		4 6
A 9 0 1 1 0 2 1		9		3 2	A 9 0 5 2 0 2 8		1 5		2 0
A 9 0 1 1 0 2 2		9		3 4	A 9 0 5 6 0 0 8		1 3		2
A 9 0 1 1 0 2 3		9		3 1	A 9 0 5 6 0 1 2		1 3		1
A 9 0 1 1 1 0 3		1 9		4	A 9 0 5 6 0 1 3		1 5		4 1
A 9 0 1 1 1 1 5		9		9	A 9 0 5 6 0 1 8		1 5		1 0
A 9 0 1 1 1 2 3		1 9		3	A 9 0 5 6 0 2 0		9		4 5
A 9 0 1 1 1 5 2		7		6	A 9 0 6 5 0 3 3		1 3		4 4
A 9 0 1 2 0 0 7		5		3 4	EBN 0 1 2 0 0		2 3		1 1
A 9 0 1 2 0 0 7		1 3		2 6	EBN 0 1 2 1 0		2 1		1 6
A 9 0 1 2 0 2 7		5		4 8	EBN 0 1 2 2 0		1 9		1 6
A 9 0 1 2 0 5 1		9		5 5	EBN 0 1 2 3 0		2 5		1 2
A 9 0 1 2 0 5 3		9		6 9	EBN 0 1 2 4 0		2 5		5
A 9 0 1 2 0 5 6		1 5		3 4	EBN 0 1 2 5 0		2 5		1
A 9 0 1 2 0 7 7		2 3		2	EBN 0 1 2 6 0		2 5		4
A 9 0 1 2 1 1 4		1 3		2 7	EBN 0 1 2 9 0		2 5		3
A 9 0 1 2 1 6 2		1 7		1 0	EBN 0 1 3 0 0		2 5		2
A 9 0 1 2 1 6 4		7		2 9	EBN 0 1 3 2 0		2 5		1 0
A 9 0 1 2 1 6 4		1 7		3	EBN 0 1 3 3 0		2 5		7
A 9 0 1 2 1 7 4		3		7	EBN 0 1 3 4 0		2 5		9
A 9 0 1 2 1 9 0		9		4	EBN 0 1 3 5 0		2 5		6
A 9 0 1 2 2 1 5		3		1 3	EBN 0 1 3 6 0		2 5		8
A 9 0 1 2 2 1 7		2 7		3	EBN 0 1 3 9 0		2 3		1 7
A 9 0 1 2 2 1 8		2 7		2	EBN 0 1 5 9 0		1 7		2 1
A 9 0 1 2 2 3 3		1 7		5	EBN 0 1 6 0 0		1 1		1 2
A 9 0 1 2 2 9 1		9		2 8	EBN 0 1 6 1 0		2 5		1 6
A 9 0 1 2 3 0 0		7		2 3	FA 9 1 1 1 4 1		2 5		2 1
A 9 0 1 2 3 0 0		9		6 3	HB 2 3 0 1 4 0		9		3 3
A 9 0 1 2 3 0 1		7		2 6	HB 2 3 0 1 6 0		7		2 0
A 9 0 1 2 3 0 3		7		2 7	HB 2 3 0 1 7 0		9		1 3
A 9 0 1 2 3 0 9		9		7 3	HB 2 3 0 2 7 0		7		2 1
A 9 0 1 2 3 1 0		9		7 0	HB 2 3 0 2 9 0		7		4
A 9 0 1 2 3 1 1		5		3 2	HB 2 3 0 3 1 0		7		1 5
A 9 0 1 2 3 1 2		1 7		2	HB 2 3 0 3 2 0		7		1 1
A 9 0 1 3 0 4 5		1 3		2 1	HB 2 3 0 3 3 1		7		1 2
A 9 0 1 3 0 4 5		1 5		4 3	HB 2 3 0 3 7 1		9		1 0
A 9 0 1 3 0 6 0		2 1		1 0	HB 2 3 0 3 8 1		9		5
A 9 0 1 4 0 5 1		9		5 4	HB 2 3 0 3 9 0		9		3
A 9 0 1 4 0 6 3		5		5 0	HB 2 3 0 4 0 1		9		1
A 9 0 1 5 0 6 0		1 9		2	HB 2 3 0 4 1 4		9		1 2

I N D E X

L I S T	No.	PAGE No.	ITEM	L I S T	No.	PAGE No.	ITEM
HB 2 3 0 4 2 0		9	1 1	HP 2 4 1 4 7 0		1 1	1 0
HB 2 3 0 4 6 0		9	4 2	HP 2 4 1 4 8 0		1 1	1 0
HB 2 3 0 4 7 0		9	4 3	HP 7 1 1 3 6 0		2 3	2 3
HB 2 3 0 5 0 0		9	7 5	HP 7 1 1 3 7 0		2 3	2 2
HB 2 3 0 5 1 1		9	1 7	KB 2 1 0 1 7 0		9	4 6
HB 2 3 0 5 2 1		9	1 6	KB 2 3 0 0 1 0		5	4 3
HB 2 3 0 5 3 1		9	1 5	KB 2 3 0 0 3 0		5	3 1
HB 2 3 0 5 4 0		9	1 8	KB 2 3 0 0 5 0		5	3 3
HB 2 3 0 5 6 0		9	7 2	KB 2 3 0 0 6 0		9	8
HB 2 3 0 5 7 0		9	7 6	KB 2 3 0 0 7 0		9	7
HB 2 3 0 5 8 0		9	6 6	KB 2 3 0 0 8 0		9	6
HB 2 3 0 5 9 0		9	2	KB 2 3 0 0 9 0		7	5
HB 2 3 0 6 5 0		7	3 5	KB 2 3 0 1 0 0		7	8
HB 2 4 0 0 2 0		9	5 0	KB 2 3 0 1 1 0		7	9
HB 2 4 0 0 3 0		9	5 1	KB 2 3 0 1 2 0		7	1 0
HB 2 4 0 0 4 0		9	4 9	KB 2 3 0 1 3 0		7	1 9
HB 2 4 0 0 5 0		9	4 8	KB 2 3 0 1 4 0		7	1 7
HB 2 4 0 0 7 0		9	5 3	KB 2 3 0 1 5 0		7	1 6
HB 2 4 0 0 8 0		9	5 8	KB 2 3 0 1 6 1		7	1
HB 2 4 0 0 9 0		9	5 7	KB 2 3 0 1 7 0		9	4 4
HB 2 4 0 1 1 0		9	5 2	KB 2 3 0 3 1 0		7	3 6
HB 2 4 0 1 7 1		7	1 8	KB 2 4 0 0 1 0		7	1 4
HB 2 4 0 1 8 0		7	2	KB 2 4 0 0 2 0		7	3
HB 2 4 0 2 6 0		1 1	1 1	KB 2 4 0 0 3 0		9	4 7
HB 2 4 0 2 7 0		1 1	1 1	KB 2 4 0 0 4 0		9	5 6
HB 2 4 0 2 8 0		7	1 8	KB 2 5 0 0 2 0		1 1	1 7
HB 2 4 0 2 9 0		7	2	KB 2 5 0 0 3 0		1 1	1 8
HB 2 4 0 3 1 0		9	7 9	KB 2 5 0 0 4 0		1 1	1 9
HB 2 4 0 3 3 0		9	7 8	KB 2 5 0 0 6 0		1 1	1 5
HB 2 4 0 3 4 0		9	7 7	KC 2 2 0 2 1 0		5	5 4
HH 3 3 0 2 8 1		1 7	1 3	KC 2 2 0 6 4 1		1 3	2 3
HH 3 3 0 8 1 0		1 7	1 5	KC 2 5 0 4 7 1		5	1
HP 2 3 1 3 9 0		5	1 3	KC 2 5 0 4 8 2		5	5 6
HP 2 4 1 1 1 2		1 1	6	KC 2 5 1 3 3 0		5	1 8
HP 2 4 1 1 2 2		1 1	6	KC 2 7 0 1 0 1		1 5	4 0
HP 2 4 1 1 5 0		1 1	2	KC 2 7 0 2 7 1		1 5	2 8
HP 2 4 1 1 6 0		1 1	7	KC 2 7 0 2 8 3		1 5	2 4
HP 2 4 1 1 7 0		1 1	3	KC 2 7 0 2 9 2		1 5	2 9
HP 2 4 1 1 8 0		1 1	3	KC 2 7 0 3 0 1		1 5	2 7
HP 2 4 1 3 7 1		1 1	8	KC 2 7 0 7 6 1		1 5	2 3
HP 2 4 1 3 8 1		1 1	8	KC 2 7 0 9 5 0		1 3	2 0
HP 2 4 1 4 1 0		1 1	1	KC 2 7 0 9 6 0		1 3	1 4
HP 2 4 1 4 4 0		1 1	5	KC 2 7 0 9 7 0		1 3	2 2
HP 2 4 1 4 5 0		1 1	4	KC 2 7 0 9 8 0		1 3	1 9
HP 2 4 1 4 6 0		1 1	4	KC 2 7 1 0 0 0		1 3	1 2

I N D E X

LIST No.	PAGE No.	ITEM	LIST No.	PAGE No.	ITEM
KC 2 7 1 0 2 1	1 3	1 1	KL 2 2 0 0 3 0	5	1 5
KC 2 7 1 0 3 1	1 3	1 0	KL 2 2 0 0 4 0	5	6
KC 2 7 1 0 4 1	1 3	9	KL 2 2 0 0 5 0	5	2 1
KC 2 7 1 0 7 0	1 3	2 9	KL 2 2 0 0 6 0	5	2 5
KC 2 7 1 1 2 0	1 3	2 8	KL 2 2 0 0 7 0	5	3 6
KC 2 7 1 9 4 0	1 3	7	KL 2 2 0 0 8 0	5	1 2
KC 2 7 1 9 5 0	1 3	6	KL 2 2 0 0 9 0	5	4
KC 2 7 1 9 6 0	1 3	3	KL 2 2 0 1 2 0	5	5 3
KC 3 3 0 1 7 0	1 7	1 2	KL 2 2 0 1 3 0	5	1 4
KC 5 1 0 2 4 0	2 3	1 5	KL 2 2 0 1 4 0	5	2 0
KF 2 2 0 1 3 0	5	1 1	KL 2 2 0 1 5 0	5	8
KF 2 2 0 2 3 0	5	5 2	KL 2 3 0 1 1 0	9	2 5
KF 2 2 0 2 7 1	5	2 7	KL 2 3 0 1 8 0	9	6 0
KF 2 2 0 2 9 0	5	3 7	KL 2 5 0 0 5 1	5	3
KF 2 2 0 4 1 0	5	4 0	KL 2 5 0 0 7 0	5	4 5
KF 2 2 0 4 4 0	5	3 9	KL 2 7 0 0 0 0	1 5	3 0
KF 2 2 0 4 6 0	5	1 9	KL 2 7 0 0 1 0	1 5	3 2
KF 2 2 0 4 7 0	5	2 6	KL 2 7 0 0 2 0	1 5	3 1
KF 2 2 0 4 8 0	5	3 5	KL 2 7 0 0 3 0	1 5	3 3
KF 2 2 0 7 8 0	5	4 1	KL 2 7 0 0 4 0	1 5	3 5
KF 2 3 0 2 1 0	9	2 7	KL 2 7 0 0 5 0	1 5	3 6
KF 2 3 0 2 3 0	9	2 2	KL 2 7 0 0 6 0	1 5	3 7
KF 2 3 0 2 4 0	9	2 3	KL 2 7 0 0 7 0	1 5	3 9
KF 2 3 0 2 5 0	9	2 4	KL 2 7 0 0 8 1	1 5	1 1
KF 2 3 0 4 2 0	5	3 0	KL 2 7 0 0 9 1	1 5	2 1
KF 2 3 0 5 0 0	7	1 3	KL 2 7 0 1 0 1	1 5	1 5
KF 2 3 0 5 8 0	7	2 2	KL 2 7 0 1 1 0	1 5	1 8
KF 2 3 0 5 8 0	1 5	2 5	KL 2 7 0 1 2 0	1 5	1 7
KF 2 3 0 6 3 0	9	3 8	KL 2 7 0 1 3 0	9	8 0
KF 2 3 0 6 5 0	9	3 7	KL 2 7 0 1 3 0	1 5	1 6
KF 2 3 0 6 6 1	9	3 6	KL 2 7 0 1 4 0	1 5	1 4
KF 2 3 0 6 7 0	9	3 5	KL 2 7 0 1 5 0	1 5	1 3
KF 2 3 0 9 1 0	9	2 0	KL 2 7 0 2 6 0	1 5	1 9
KF 2 3 0 9 2 0	9	2 6	KL 2 7 0 3 6 0	1 3	8
KF 2 3 0 9 3 0	9	2 1	KL 2 7 0 3 8 0	1 3	1 3
KF 2 5 0 9 0 0	5	4 2	KL 2 7 0 3 9 0	1 3	3 5
KF 2 5 0 9 0 0	1 3	1 8	KL 2 7 0 4 0 0	1 5	4 7
KF 7 3 0 7 9 0	2 1	2	KL 2 7 0 4 1 0	1 5	4 2
KG 2 3 0 0 2 0	9	1 9	KL 2 7 0 4 2 0	1 5	4 5
KG 2 7 0 2 8 2	1 5	2 4	KL 2 7 0 4 3 0	1 5	4 4
KG 2 7 0 3 1 0	1 5	2 6	KL 2 7 0 4 4 0	1 5	4 6
KG 2 7 0 7 6 0	1 5	2 3	KL 2 7 0 4 5 0	1 5	5 0
KL 2 2 0 0 0 0	5	1 6	KL 2 7 0 5 2 0	1 5	3 8
KL 2 2 0 0 1 0	5	2 4	KN 2 3 1 3 5 0	9	1 4
KL 2 2 0 0 2 0	5	2 9	KN 2 7 1 1 9 0	1 3	1 6

I N D E X

LIST	No.	PAGE No.	ITEM	LIST	No.	PAGE No.	ITEM
KN 2 7 1 2 2 0		1 3	1 5	MY 2 9 4 0 5 0		1 9	9
KN 2 7 1 6 0 2		1 3	2 5	MY 2 9 4 0 6 0		1 9	1
KN 2 7 1 6 1 0		1 3	2 4	MY 2 9 4 0 7 0		1 9	5
KN 2 7 1 6 5 1		9	8 2	MY 2 9 4 0 8 0		1 9	2 0
KN 2 7 1 6 5 1		1 3	4	MY 2 9 4 0 9 0		1 9	1 5
KN 2 7 1 6 6 1		9	8 3	MY 2 9 4 1 0 0		1 9	1 8
KN 2 7 1 6 6 1		1 3	5	MY 2 9 4 1 1 0		1 9	1 2
KU 2 4 1 4 0 0		1 1	1 4	MY 2 9 4 1 2 0		1 9	1 3
MB 2 9 5 0 9 0		5	4 4	MY 2 9 4 1 3 0		1 9	1 7
MB 2 9 5 1 0 0		5	5 1	MY 2 9 4 1 4 0		2 1	1 5
MB 2 9 5 1 1 0		1 1	1 3	MY 2 9 4 1 5 0		2 1	1 4
MB 2 9 5 1 2 0		1 7	1 7	MY 2 9 4 1 6 0		2 1	5
MB 2 9 5 1 3 0		1 7	1 1	MY 2 9 4 1 7 0		2 1	4
MB 2 9 5 1 4 0		1 7	4	MY 2 9 4 1 8 0		2 1	7
MB 2 9 5 1 5 0		1 7	1 4	MY 2 9 4 1 9 0		2 1	6
MB 2 9 5 1 6 0		1 7	8	MY 2 9 4 2 0 0		2 1	3
MB 2 9 5 1 7 0		1 7	7	MY 2 9 4 2 1 0		2 1	1 2
MB 2 9 5 1 8 0		1 7	1 6	MY 2 9 4 2 2 0		2 1	1 3
MB 2 9 5 1 9 0		2 3	2 0	MY 2 9 4 2 3 0		2 1	1 1
MB 2 9 5 2 0 0		2 3	1 9	MY 2 9 4 2 4 0		2 1	1 7
MB 2 9 5 2 1 0		2 3	1 8	MY 2 9 4 2 6 0		2 3	8
MB 2 9 5 2 2 0		1 1	1 6	MY 2 9 4 2 7 0		2 3	1 0
MB 2 9 5 2 3 0		1 3	4 3	MY 2 9 4 2 8 0		2 3	1 4
MB 2 9 5 2 4 1		1 3	4 2	MY 2 9 4 2 9 0		2 3	7
MB 2 9 5 2 5 0		1 3	3 1	MY 2 9 4 3 0 0		2 3	9
MB 2 9 5 2 6 0		1 3	3 6	MY 2 9 4 3 1 0		2 3	1 3
MB 2 9 5 2 7 0		1 3	3 4	MY 2 9 4 3 2 1		3	1 5
MB 2 9 5 2 8 0		1 3	3 0	MY 2 9 4 3 3 0		3	1 1
MB 2 9 5 2 9 0		9	4 0	MY 2 9 4 3 4 0		3	1 2
MB 2 9 5 2 9 0		1 3	3 3	MY 2 9 4 3 5 0		3	1 4
MB 2 9 5 3 0 0		9	3 9	MY 2 9 4 3 6 0		3	8
MB 2 9 5 3 1 0		9	5 9	MY 2 9 4 3 8 0		3	2
MB 2 9 5 3 2 1		9	4 1	MY 2 9 4 3 9 0		3	3
MB 2 9 5 3 3 0		9	3 0	MY 2 9 4 4 0 0		3	4
MB 2 9 5 3 4 0		9	3 0	MY 2 9 4 4 1 0		3	5
MB 2 9 5 3 5 0		1 7	1	MY 2 9 4 4 2 0		2 3	6
MB 2 9 5 3 8 0		9	8 1	MY 2 9 4 4 3 0		2 3	3
MB 2 9 5 3 9 0		1 1	1 6	MY 2 9 4 4 4 0		5	2 8
MB 2 9 5 4 0 0		9	7 4	MY 2 9 4 4 5 0		2 3	1
MB 2 9 5 4 1 0		9	7 4	MY 2 9 4 4 6 0		2 3	4
MB 2 9 5 4 3 0		9	8 5	MY 2 9 4 4 7 0		2 3	5
MV 2 9 3 8 7 0		2 1	8	MY 2 9 4 5 3 0		3	1
MY 2 9 4 0 2 0		3	9	MY 2 9 4 5 4 0		3	1 0
MY 2 9 4 0 3 0		1 9	6	MY 2 9 4 5 8 0		3	6
MY 2 9 4 0 4 0		1 9	7	MY 2 9 4 5 9 0		2 1	1

